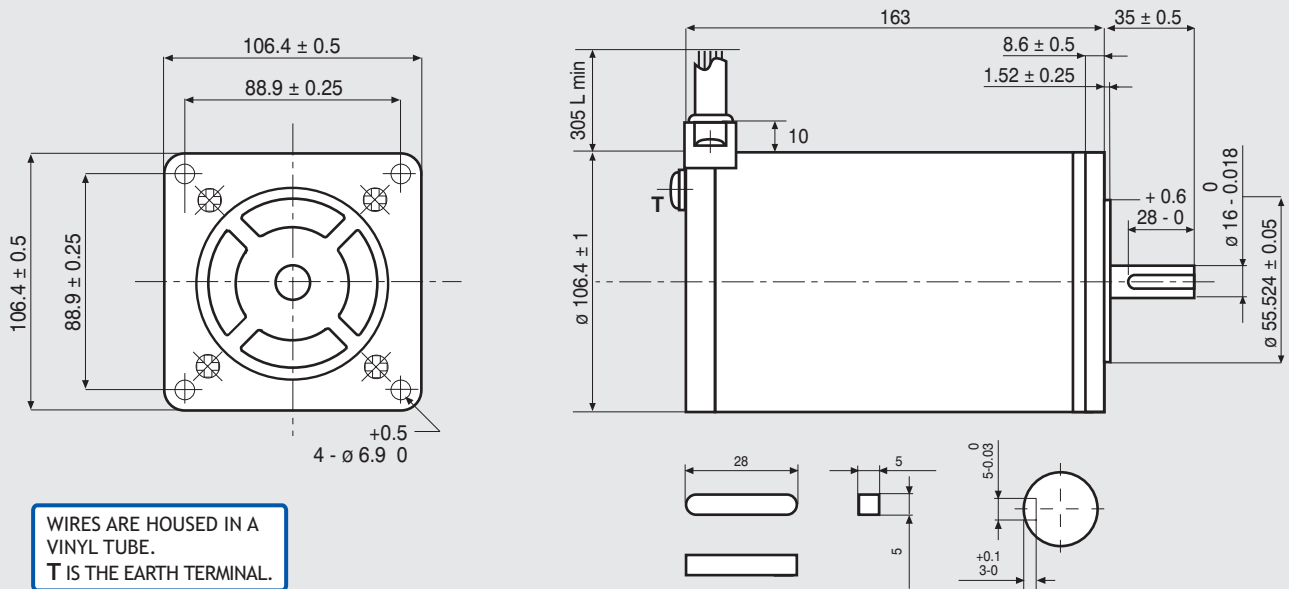


103-H89222-6541

SANYO DENKI
SANMOTION

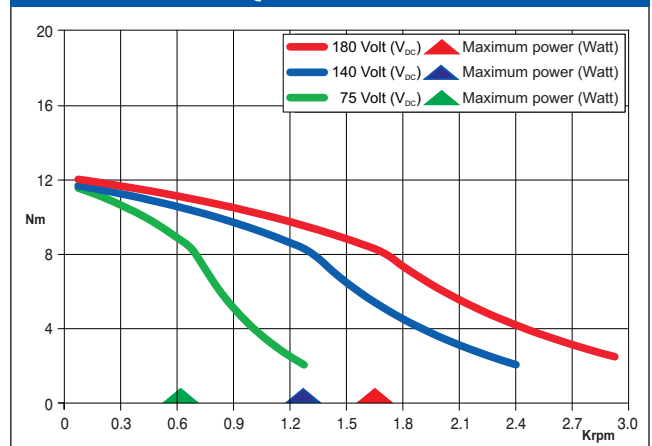
Dimensions (Unit:mm)



FEATURES

MODEL	103-H89222-6541	
BASIC STEP ANGLE	1.8° ± 0.09°	
BIPOLAR CURRENT	(Amp)	10
UNIPOLAR CURRENT	(Amp)	
RESISTANCE	(Ohm)	0.16
INDUCTANCE	(mH)	1.9
BIPOLAR HOLDING TORQUE	(Ncm)	1620
UNIPOLAR HOLDING TORQUE	(Ncm)	
ROTOR INERTIA	(Kg ^m 2 x 10 ⁻⁷)	14650
THEORETICAL ACCELERATION	(rad x sec. ⁻²)	11100
BACK E.M.F.	(V/Krpm)	162
MASS	(Kg)	7
PROTECTION DEGREE		IP43
LEADS CODE		V

TORQUE/SPEED CURVE



Suggested R.T.A. driver: contact R.T.A.



R.T.A. s.r.l.
Via E. Mattei - Fraz. Divisa
27020 MARCIGNAGO (PV) ITALY
Tel. +39.0382.929.855 - Fax +39.0382.929.150
www.rta.it

R.T.A. Deutschland GmbH
Bublitzer Straße 34
40599 DÜSSELDORF (Germany)
Tel. +49.211.749.668.60 - Fax +49.211.749.668.66
www.rta-deutschland.de

R.T.A. IBERICA-Motion Control Systems S.L.
C/Generalitat 22, 1° 3°
08850 GAVA - BARCELONA (Spain)
Tel. +34.936.388.805 - Fax +34.936.334.595
www.rta-iberica.es