

# INTERRUTTORI

SWITCHES | INTERRUPTEURS



## PARTNERS



**arcoelectric**  
a brand of Elektron Technology

**EDK**

### INTERRUTTORI E MINI INTERRUTTORI pag. 98-99

Switches and mini switches | Interrupteurs et mini interrupteurs



### INTERRUTTORI A PULSANTE pag. 101

Push button switches | Interrupteurs à poussoir



### INTERRUTTORI A SLITTA pag. 102

Slide switches | Interrupteurs à glissière



### CAMBIA TENSIONE A SLITTA pag. 103

Slide switches | Curseur de changement de tension



### INTERRUTTORI DA PORTA FRIGORIFERO pag. 103

Refrigerator door switches | Interrupteurs de porte de réfrigérateur



**INDICE** | Index | *Index*
**INTERRUTTORI A BASCULA**

 Rocker switches | *Interrupteurs à bascule*

**INTERRUTTORI A PULSANTE**

 Push button switches | *Interrupteurs à poussoir*

**INTERRUTTORI A SLITTA**

 Slide switches | *Interrupteurs à glissière*

**INTERRUTTORI DA PORTA**

 Door switches | *Interrupteurs de porte*

**CAMBIA TENSIONE**

 Voltage selector | *Sélecteur de tension*

**MINI INTERRUTTORI**

 Mini switches | *Mini interrupteurs*

**INTERRUTTORI 16A**

 16A switches | *Interrupteurs 16A*

**INTERRUTTORI 10A**

 10A switches | *Interrupteurs 10A*

**INTERRUTTORI LEVA LUMINOSI**

 Luminous toggle switches | *Interrupteurs à levier lumineux*

**INTERRUTTORI TONDI**

 Round switches | *Interrupteurs ronds*

**INDICATORI LUMINOSI**

 Luminous indicators | *Interrupteurs lumineux*

**PULSANTI METALLICI**

 Metal push-buttons | *Poussoirs métalliques*

**PULSANTI LUMINOSI**

 Luminous push-buttons | *Poussoirs lumineux*

**VANTAGGI** | Advantages | *Avantages*

- **Ampia gamma**  
Wide range  
*Large gamme*
- **Serie bipolare compatta**  
Compact bipolar series  
*Série bipolaire compacte*
- **Omologazioni**  
Approvals  
*Homologations*
- **Affidabilità**  
Reliability  
*Fiabilité*

**APPLICAZIONI** | Applications | *Applications*

- **Elettromedicali**  
Medical equipments  
*Equipements médicaux*
- **Automazione**  
Automation  
*Automatisation*
- **Pannelli di controllo**  
Control panels  
*Panneaux de contrôle*
- **Piccoli elettrodomestici**  
Small households  
*Petits appareils électroménagers*
- **Strumentazione**  
Equipments  
*Equipements*
- **Macchine del caffè e vending**  
Vending and coffee machines  
*Distributeurs automatiques et machines à café*

## INTERRUTTORI

Switches | Interrupteurs



### INTERRUTTORI A BASCULA

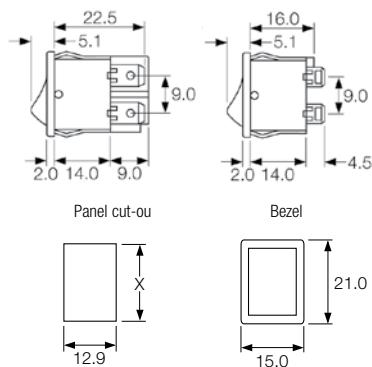
Rocker switches | Interrupteurs à bascule

Tensione	Voltage	Tension
250Vac	250Vac	250Vac
Corrente	Current	Courant
10A	10A	10A
Contatti	Contacts	Contacts
Ottone argentato faston 4,8mm	Silver-plated brass faston 4,8mm	Laiton argenté faston 4,8mm
Corpo	Body	Corps
Nylon 6.6	Nylon 6.6	Nylon 6.6
Temperatura	Temperature	Température
125°C	125°C	125°C
Cod. omologazione	Approval code	Code d'homologation
Arcoelectric 8500	Arcoelectric 8500	Arcoelectric 8500



Codice	N° poli	Circuito	Colore bascula
Code	N° poles	Circuit	Rocker colour
Code	N° pôles	Circuit	Couleur bascule
<b>Non luminoso   Not Luminous   Non Lumineux</b>			
KH8500VBBBV	1	on - off	■
KH8550VBBBV	2	on - off	■
<b>Luminoso   Luminous   Lumineux</b>			
KH8503VBBRV	1	on - off	■
KH8503VBBGV	1	on - off	■
KH8503VBBYV	1	on - off	■
KH8553VBBRV	2	on - off	■
KH8553VBBGV	2	on - off	■
KH8553VBBYV	2	on - off	■
<b>Accessori   Accessories   Accessoires</b>			
KL167	Calotta di protezione IP65   Protection cover IP65   Capot de protection IP65		

#### Dimensioni | Dimensions | Dimensions



1000 pz  
1000 pcs  
1000 pces

pronta  
in stock  
en stock



Disponibile in esecuzione antimicrobica  
Available in antimicrobial execution  
Disponible en technologie antimicrobienne



### INTERRUTTORI A BASCULA

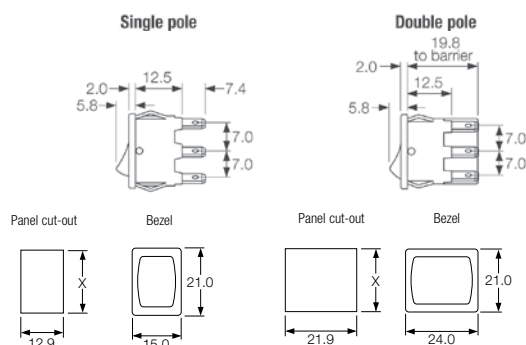
Rocker switches | Interrupteurs à bascule

Tensione	Voltage	Tension
250Vac	250Vac	250Vac
Corrente	Current	Courant
10A	10A	10A
Contatti	Contacts	Contacts
Ottone argentato faston 4,8mm	Silver-plated brass faston 4,8mm	Laiton argenté faston 4,8mm
Corpo	Body	Corps
Nylon 6.6	Nylon 6.6	Nylon 6.6
Temperatura	Temperature	Température
90°C	90°C	90°C
Cod. omologazione	Approval code	Code d'homologation
Arcoelectric 8600	Arcoelectric 8600	Arcoelectric 8600



Codice	N° poli	Circuito	Colore bascula
Code	N° poles	Circuit	Rocker colour
Code	N° pôles	Circuit	Couleur bascule
<b>Non luminoso   Not Luminous   Non Lumineux</b>			
KH8600VBBBV	1	on - off	■
KH8601VBBBV	1	off - mom	■
KH8610VBBBV	1	on - on	■
KH8620VBBBV	1	on - off - on	■
KH8650VBBBV	2	on - off	■
KH8651VBBBV	2	off - mom	■
KH8660VBBBV	2	on - on	■
KH8670VBBBV	2	on - off - on	■
<b>Luminoso   Luminous   Lumineux</b>			
KH8653VBBRV	2	on - off	■
KH8653VBBGV	2	on - off	■
KH8653VBBYV	2	on - off	■
<b>Accessori   Accessories   Accessoires</b>			
KL167	Calotta di protezione unipolare IP65 Unipolar protection cover IP65   Capot de protection unipolaire IP65		
KL180	Calotta di protezione bipolare IP65 Bipolar protection cover IP65   Capot de protection bipolaire IP65		

#### Dimensioni | Dimensions | Dimensions



1000 pz  
1000 pcs  
1000 pces

pronta  
in stock  
en stock

## INTERRUTTORI

Switches | Interrupteurs



### INTERRUTTORI A BASCULA

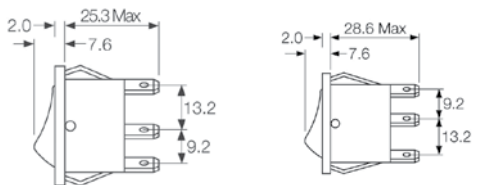
Rocker switches | Interrupteurs à bascule

Tensione	Voltage	Tension
250Vac	250Vac	250Vac
Corrente	Current	Courant
16A	16A	16A
150A (Spunto serie 1300)	150A (Inrush 1300 series)	150A (Pic séries 1300)
Contatti	Contacts	Contacts
Ottone argentato faston 6,3mm	Silver-plated brass faston 6,3mm	Laiton argenté faston 6,3mm
Corpo	Body	Corps
Nylon 6.6	Nylon 6.6	Nylon 6.6
Temperatura	Temperature	Température
125°C	125°C	125°C
Cod. omologazione	Approval code	Code d'homologation
Arcoelectric 1500/5500	Arcoelectric 1500/5500	Arcoelectric 1500/5500

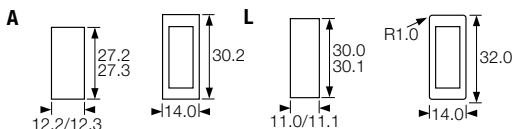


Codice	N° poli	Circuito	Foro pannello	Colore bascula
Code	N° poles	Circuit	Panel cut	Rocker colour
Code	N° pôles	Circuit	Découpe de panneau	Couleur bascule
<b>Non luminoso   Not Luminous   Non Lumineux</b>				
KC1500AABBO (ex I4900)	1	on - off	12x27	■
KC1501AABBV	1	off - mom	12x27	■
KC1510AABBV	1	on - on	12x27	■
KC1520AABBV	1	on - off - on	12x27	■
KC1522AABBV	1	mom - off - mom	12x27	■
KC1500ALBBV	1	on - off	11X30	■
KC1501ALBBV	1	off - mom	11X30	■
KC1510ALBBV	1	on - on	11X30	■
KC1520ALBBV	1	on - off - on	11X30	■
KC1522ALBBV	1	mom - off - mom	11X30	■
<b>High Inrush 150A</b>				
KC1300AABBV	1	on - off	12x27	■
KC1300ALBBV	1	on - off	11X30	■
<b>Luminoso   Luminous   Lumineux</b>				
KC5503AABRO (ex I4913)	1	on - off	12x27	■
KC5503AABGO (ex I4915)	1	on - off	12x27	■
KC5503AABVY	1	on - off	12x27	■
KC5503ALBRV	1	on - off	11X30	■
KC5503ALBGV	1	on - off	11X30	■
KC5503ALBYV	1	on - off	11X30	■
<b>Accessori   Accessories   Accessoires</b>				
KW46	Calotta di protezione IP65   Protection cover IP65   Capot de protection IP65			

#### Dimensioni | Dimensions | Dimensions



**Panel thickness**  
A 0.75 to 3.3mm  
L 0.75 to 2.5mm



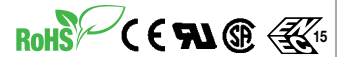
Disponibile in esecuzione antimicrobica  
Available in antimicrobial execution  
Disponible en technologie antimicrobienne



### INTERRUTTORI A BASCULA

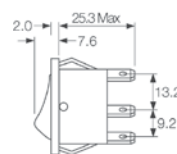
Rocker switches | Interrupteurs à bascule

Tensione	Voltage	Tension
250Vac	250Vac	250Vac
Corrente	Current	Courant
16A	16A	16A
150A (Spunto serie 1350)	150A (Inrush 1350 series)	150A (Pic séries 1350)
Contatti	Contacts	Contacts
Ottone argentato faston 6,3mm	Silver-plated brass faston 6,3mm	Laiton argenté faston 6,3mm
Corpo	Body	Corps
Nylon 6.6	Nylon 6.6	Nylon 6.6
Temperatura	Temperature	Température
125°C	125°C	125°C
Cod. omologazione	Approval code	Code d'homologation
Arcoelectric 1550/1350	Arcoelectric 1550/1350	Arcoelectric 1550/1350

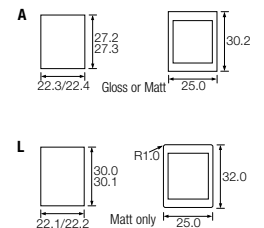


Codice	N° poli	Circuito	Foro pannello	Colore bascula
Code	N° poles	Circuit	Panel cut	Rocker colour
Code	N° pôles	Circuit	Découpe de panneau	Couleur bascule
<b>Non luminoso   Not Luminous   Non Lumineux</b>				
KC1550AABBO (ex I5000)	2	on - off	22x27	■
KC1551AABBV	2	off - mom	22x27	■
KC1560AABBV	2	on - on	22x27	■
KC1570AABBV	2	on - off - on	22x27	■
KC1572AABBV	2	mom - off - mom	22x27	■
KC1550ALBBV	2	on - off	22x30	■
KC1551ALBBV	2	off - mom	22x30	■
KC1560ALBBV	2	on - on	22x30	■
KC1570ALBBV	2	on - off - on	22x30	■
KC1572ALBBV	2	mom - off - mom	22x30	■
<b>High Inrush 150A</b>				
KC1350AABBV	2	on - off	22x27	■
KC1350ALBBV	2	on - off	22x30	■
<b>Luminoso   Luminous   Lumineux</b>				
KC1553AABRO (ex I5013)	2	on - off	22x27	■
KC1553AABGO (ex I5015)	2	on - off	22x27	■
KC1553AABVY	2	on - off	22x27	■
KC1553ALBRV	2	on - off	22x30	■
KC1553ALBGV	2	on - off	22x30	■
KC1553ALBYV	2	on - off	22x30	■
<b>Accessori   Accessories   Accessoires</b>				
KW42	Calotta di protezione IP65   Protection cover IP65   Capot de protection IP65			

#### Dimensioni | Dimensions | Dimensions



**Panel thickness**  
A 0.75 to 3.3mm  
L 0.75 to 2.5mm



Disponibile in esecuzione antimicrobica  
Available in antimicrobial execution  
Disponible en technologie antimicrobienne



## INTERRUTTORI

Switches | Interrupteurs



Guardia | Guard | Guard



Cover

### INTERRUTTORI A BASCULA CON GUARDIA

Rocker switches with guard | Interrupteurs à bascule avec joues de protection

Tensione	Voltage	Tension
250Vac	250Vac	250Vac
<b>Corrente</b> 16A	<b>Current</b> 16A	<b>Courant</b> 16A
<b>Contatti</b> Ottone argentato faston 6,3mm	<b>Contacts</b> Silver-plated brass faston 6,3mm	<b>Contacts</b> Laiton argenté faston 6,3mm
<b>Corpo</b> Nylon 6.6	<b>Body</b> Nylon 6.6	<b>Corps</b> Nylon 6.6
<b>Temperatura</b> 125°C	<b>Temperature</b> 125°C	<b>Température</b> 125°C
<b>Cod. omologazione</b> Arcoelectric 1550/1350	<b>Approval code</b> Arcoelectric 1550/1350	<b>Code d'homologation</b> Arcoelectric 1550/1350



Codice	N° poli	Circuito	Protezione	Colore bascula
Code	N° poles	Circuit	Protection	Rocker colour
Code	N° pôles	Circuit	Protection	Couleur bascule

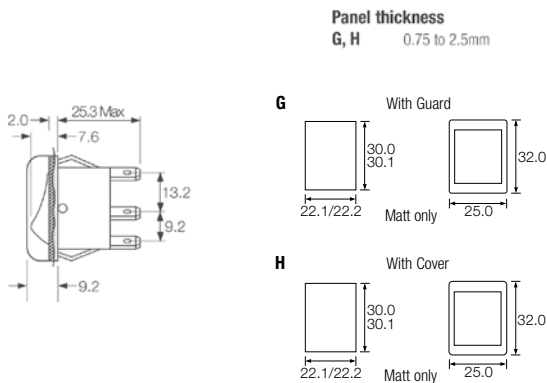
#### Non luminoso | Not Luminous | Non Lumineux

KC1550AGBBV	2	on - off	Guardia   Guard   Jouis de protection	■
KC1550AHBBV	2	on - off	Cover   Cover   Couvercle	■

#### Luminoso | Luminous | Lumineux

KC1553AGBRV	2	on - off	Guardia   Guard   Jouis de protection	■
KC1553AGBGV	2	on - off	Guardia   Guard   Jouis de protection	■
KC1553AGBYV	2	on - off	Guardia   Guard   Jouis de protection	■
KC1553AHBRV	2	on - off	Cover   Cover   Couvercle	■
KC1553AHBGV	2	on - off	Cover   Cover   Couvercle	■
KC1553AHBYV	2	on - off	Cover   Cover   Couvercle	■

#### Dimensioni | Dimensions | Dimensions



Disponibile in esecuzione antimicrobica  
Available in antimicrobial execution  
Disponible en technologie antimicrobienne



### INTERRUTTORI A BASCULA

Rocker switches | Interrupteurs à bascule

Tensione	Voltage	Tension
250Vac	250Vac	250Vac
<b>Corrente</b> 10A	<b>Current</b> 10A	<b>Courant</b> 10A
<b>Contatti</b> Ottone argentato faston 6,3mm	<b>Contacts</b> Silver-plated brass faston 6,3mm	<b>Contacts</b> Laiton argenté faston 6,3mm
<b>Corpo</b> Nylon 6.6	<b>Body</b> Nylon 6.6	<b>Corps</b> Nylon 6.6
<b>Temperatura</b> 100°C	<b>Temperature</b> 100°C	<b>Température</b> 100°C
<b>Cod. omologazione</b> Arcoelectric 1250	<b>Approval code</b> Arcoelectric 1250	<b>Code d'homologation</b> Arcoelectric 1250

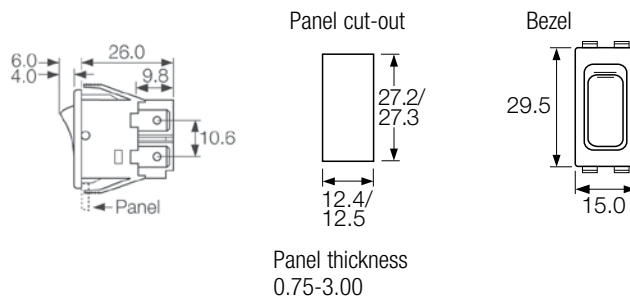


Codice	N° poli	Circuito	Colore bascula
Code	N° poles	Circuit	Rocker colour
Code	N° pôles	Circuit	Couleur bascule

#### Non luminoso | Not Luminous | Non Lumineux

KC1250SPAPBBV	1	on - off	■
KC1250APBBV	2	on - off	■

#### Dimensioni | Dimensions | Dimensions



## INTERRUTTORI

Switches | Interrupteurs



### INTERRUTTORI A PULSANTE

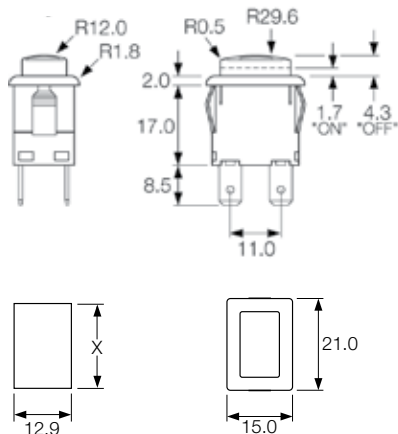
Push button switches | Interrupteurs à poussoir

<b>Tensione</b> 250Vac	<b>Voltage</b> 250Vac	<b>Tension</b> 250Vac
<b>Corrente</b> 16A	<b>Current</b> 16A	<b>Courant</b> 16A
<b>Contatti</b> Ottone argentato faston 4,8mm	<b>Contacts</b> Silver-plated brass faston 4,8mm	<b>Contacts</b> Laiton argenté faston 4,8mm
<b>Corpo</b> Nylon 6.6	<b>Body</b> Nylon 6.6	<b>Corps</b> Nylon 6.6
<b>Temperatura</b> 85°C	<b>Temperature</b> 85°C	<b>Température</b> 85°C
<b>Cod. omologazione</b> Arcoelectric 8300	<b>Approval code</b> Arcoelectric 8300	<b>Code d'homologation</b> Arcoelectric 8300



Codice Code Code	N° poli N° poles N° pôles	Circuito Circuit Circuit	Colore bascula Rocker colour Couleur bascule
<b>Non luminoso   Not Luminous   Non Lumineux</b>			
KH8300JEBBN	1	on - off	■
KH8350JEBBN	2	on - off	■
<b>Luminoso   Luminous   Lumineux</b>			
KH8303JEBRN	1	on - off	■
KH8303JEBGN	1	on - off	■
KH8303JEBYN	1	on - off	■
KH8353JEBRN	2	on - off	■
KH8353JEBGN	2	on - off	■
KH8353JEBYN	2	on - off	■
<b>Accessorio   Accessory   Accessoire</b>			
KL167	Calotta di protezione IP65   Protection cover IP65   Capot de protection IP65		

#### Dimensioni | Dimensions | Dimensions



Disponibile in esecuzione antimicrobica  
Available in antimicrobial execution  
Disponible en technologie antimicrobienne



### INTERRUTTORI A PULSANTE

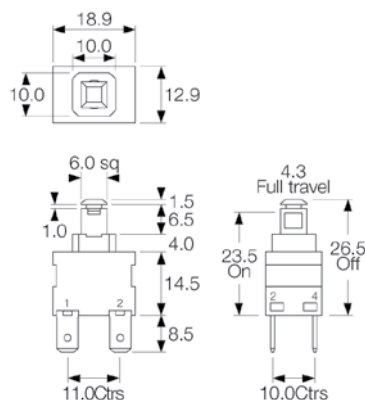
Push button switches | Interrupteurs à poussoir

<b>Tensione</b> 250Vac	<b>Voltage</b> 250Vac	<b>Tension</b> 250Vac
<b>Corrente</b> 12A	<b>Current</b> 12A	<b>Courant</b> 12A
<b>Contatti</b> Ottone argentato faston 4,8mm	<b>Contacts</b> Silver-plated brass faston 4,8mm	<b>Contacts</b> Laiton argenté faston 4,8mm
<b>Corpo</b> Nylon 6.6	<b>Body</b> Nylon 6.6	<b>Corps</b> Nylon 6.6
<b>Temperatura</b> 105°C	<b>Temperature</b> 105°C	<b>Température</b> 105°C
<b>Cod. omologazione</b> Arcoelectric 8200	<b>Approval code</b> Arcoelectric 8200	<b>Code d'homologation</b> Arcoelectric 8200



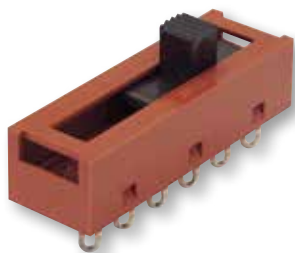
Codice Code Code	N° poli N° poles N° pôles	Circuito Circuit Circuit	Colore bascula Rocker colour Couleur bascule
<b>Non luminoso   Not Luminous   Non Lumineux</b>			
KH8200AABBN	1	on - off	■
KH8201AABBN	1	off - mom	■
KH8250AABBN	2	on - off	■
KH8251AABBN	2	off - mom	■

#### Dimensioni | Dimensions | Dimensions



## INTERRUTTORI

Switches | Interrupteurs



### INTERRUTTORI A SLITTA

Slide switches | Interrupteurs à glissière

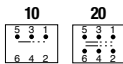
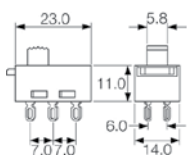
Tensione	Voltage	Tension
250Vac	250Vac	250Vac
Corrente	Current	Courant
10A	10A	10A
Contatti	Contacts	Contacts
Ottone argentato faston 2,8mm	Silver-plated brass faston 2,8mm	Laiton argenté faston 2,8mm
Corpo	Body	Corps
Nylon 6.6	Nylon 6.6	Nylon 6.6
Temperatura	Temperature	Température
85°C	85°C	85°C
Cod. omologazione	Approval code	Code d'homologation
Arcoelectric 2000	Arcoelectric 2000	Arcoelectric 2000



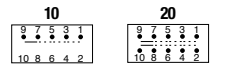
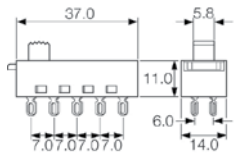
Codice	N° poli	N° posizioni	Circuito	Colore slitta
Code	N° poles	N° positions	Circuit	Slider colour
Code	N° pôles	N° positions	Circuit	Couleur bascule
KK22100CMBN	1	2	on - on	■
KK22200CMBN	2	2	on - on	■
KK23100AMB	1	3	on - on - on	■
KK23200AMB	2	3	on - on - on	■
KK24100AMB	1	4	on - on - on - on	■
KK24200AMB	2	4	on - on - on - on	■
KK25100AMB	1	5	on - on - on - on - on	■
KK25200AMB	2	5	on - on - on - on - on	■

#### Dimensioni | Dimensions | Dimensions

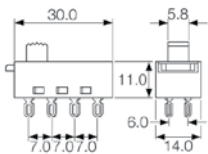
##### 2 Position



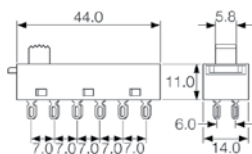
##### 4 Position



##### 3 Position



##### 5 Position



### PULSANTE DA PORTA FRIGORIFERO

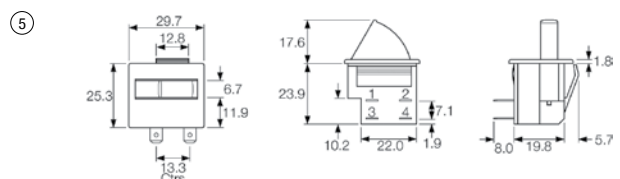
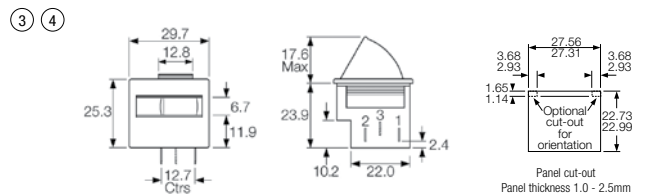
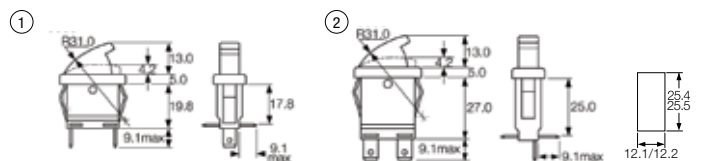
Refrigerator door push-button | Poussoir de porte de réfrigérateur

Tensione	Voltage	Tension
250Vac	250Vac	250Vac
Corrente	Current	Courant
0,3A (serie 3005)	0,3A (3005 series)	0,3A (série 3005)
5A	5A	5A
Contatti	Contacts	Contacts
Ottone argentato faston 4,8mm	Silver-plated brass faston 4,8mm	Laiton argenté faston 4,8mm
Corpo	Body	Corps
Nylon 6.6	Nylon 6.6	Nylon 6.6
Temperatura	Temperature	Température
85°C	85°C	85°C
Cod. omologazione	Approval code	Code d'homologation
Arcoelectric 3005/3100/3140	Arcoelectric 3005/3100/3140	Arcoelectric 3005/3100/3140



Codice	N° poli	Circuito	Foro pannello	Foto/Disegno
Code	N° poles	Circuit	Panel cut	Photo/Drawing
Code	N° pôles	Circuit	Découpe du panneau	Photo/Dessin
KH3005CBWWN	1	on - mom NC	12x25	1
KH3006CBWWN	1	mom - off NA	12x25	2
KE3101BAWWN	1	off - mom NA	27x22	3
KE3102BAWWN	1	on - mom NC	27x22	3
KE3111BAWWN	1	on - on NC/NA	27x22	4
KH3141AAWWN	1	on - mom NC/NA	27x22	5
KH3145AAWWN	1	on - mom NC	27x22	5
KH3146AAWWN	1	off - mom NA	27x22	5

#### Dimensioni | Dimensions | Dimensions



## CAMBIA TENSIONE

Voltage selector | *Selecteur de tension*



### CAMBIA TENSIONE A SLITTA

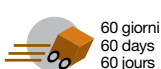
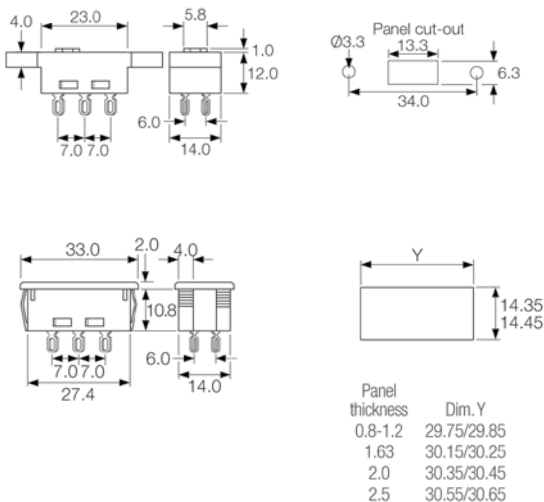
Slide voltage selector | *Curseur de changement de tension*

Tensione	Voltage	Tension
250Vac	250Vac	250Vac
<b>Corrente</b> 10A	<b>Current</b> 10A	<b>Courant</b> 10A
<b>Contatti</b> Ottone argentato faston 2,8mm	<b>Contacts</b> Silver-plated brass faston 2,8mm	<b>Contacts</b> Laiton argenté faston 2,8mm
<b>Corpo</b> Nylon 6.6	<b>Body</b> Nylon 6.6	<b>Corps</b> Nylon 6.6
<b>Temperatura</b> 85°C	<b>Temperature</b> 85°C	<b>Température</b> 85°C
<b>Cod. omologazione</b> Arcoelectric 2000	<b>Approval code</b> Arcoelectric 2000	<b>Code d'homologation</b> Arcoelectric 2000



Codice	N° poli	N° posizioni	Fissaggio	Colore slitta
Code	N° poles	N° positions	Circuit	Slider colour
Code	N° pôles	N° positions	Circuit	Couleur curseur
KK22105BBRN	1	2	Vite   Screw   Vis	■
KK22108EBRN	1	2	Snap-in	■
KK22205BBRN	2	2	Vite   Screw   Vis	■
KK22208EBRN	2	2	Snap-in	■

#### Dimensioni | Dimensions | Dimensions



### CAMBIA TENSIONE

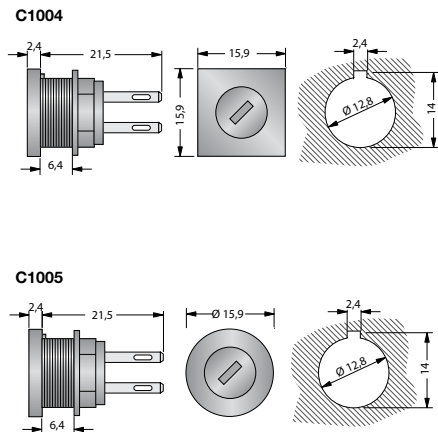
Voltage selector | *Sélecteur de tension*

Tensione	Voltage	Tension
120-240Vac	120-240Vac	120-240Vac
<b>Corrente</b> 6,3A	<b>Current</b> 6,3A	<b>Courant</b> 6,3A
<b>Contatti</b> Lega di rame argentato	<b>Contacts</b> Copper Silver-plated brass	<b>Contacts</b> Alliage de cuivre argenté
<b>Corpo</b> Nylon caricato vetro UL94-V1	<b>Body</b> Glass filled nylon UL94-V1	<b>Corps</b> Nylon chargé verre UL94-V1
<b>Temperatura</b> 85°C	<b>Temperature</b> 85°C	<b>Température</b> 85°C
<b>Cod. omologazione</b> C1004 Bulgin VS0001 C1005 Bulgin VS0002	<b>Approval code</b> C1004 Bulgin VS0001 C1005 Bulgin VS0002	<b>Code d'homologation</b> C1004 Bulgin VS0001 C1005 Bulgin VS0002



Codice	N° poli	N° posizioni	Colore
Code	N° poles	N° positions	Colour
Code	N° pôles	N° positions	Couleur
C1004	2	2	■
C1005	2	2	■

#### Dimensioni | Dimensions | Dimensions

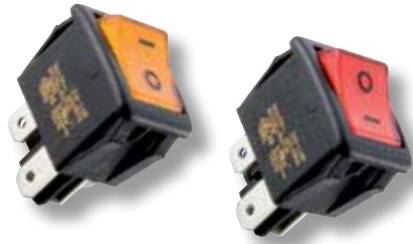






## INTERRUTTORI

Switches | Interrupteurs



### INTERRUTTORI BIPOLARI

Double pole switches | Interrupteurs bipolaires

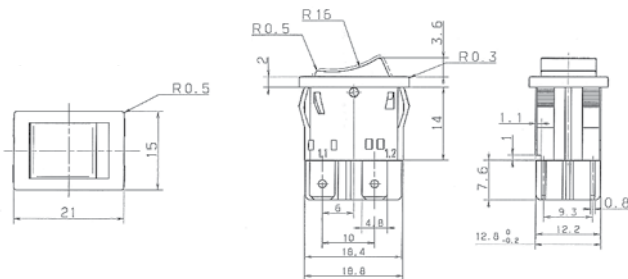
<b>Tensione</b> 250 Vac	<b>Voltage</b> 250 Vac	<b>Tension</b> 250 Vac
<b>Corrente</b> 10 A resistivi	<b>Current</b> 10 A resistive	<b>Courant</b> 10 A résistifs
<b>Contatti</b> Ottone argentato faston 4,8 mm	<b>Contacts</b> Silver-plated brass faston 4,8 mm	<b>Contacts</b> Laiton argenté 4,8 mm faston
<b>Corpo</b> Policarbonato nero	<b>Body</b> Black polycarbonate	<b>Corps</b> Polycarbonate noir
<b>Cicli di lavoro</b> 300.000	<b>Operating cycles</b> 300.000	<b>Durée de vie</b> 300.000 cycles
<b>Temperatura</b> 125°C	<b>Temperature</b> 125°C	<b>Température</b> 125°C



Codice Code Code	Circuito Circuit Circuit	Colore bascula Rocker colour Couleur bascule
I3910	on - off	■
I3913	on - off	■ neon
I3915	on - off	■ neon

**Accessorio | Accessory | Accessoire**  
PG3901 calotta di protezione IP55/PG3901 protection cover IP55/PG3901 capot de protection IP55

### Dimensioni | Dimensions | Dimensions

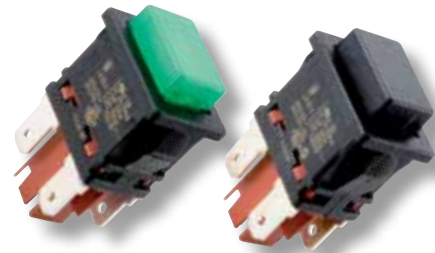


grado di protezione 40 IP  
sealing IP 40  
indice de protection IP 40

cava pannello 19x13 mm  
panel cut-out 19x13 mm  
découpe du panneau 19x13 mm

100 pz  
100 pcs  
100 pces

pronta  
in stock  
en stock



### INTERRUTTORI / PULSANTI BIPOLARI

Double pole switches/Momentary switches | Interrupteurs/poussoirs bipolaires

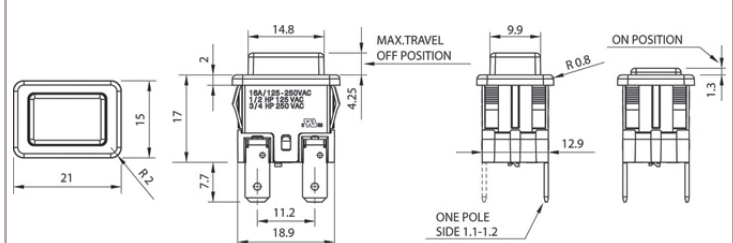
<b>Tensione</b> 250 Vac	<b>Voltage</b> 250 Vac	<b>Tension</b> 250 Vac
<b>Corrente</b> 16 A resistivi/6 A induttivi	<b>Current</b> 16 A resistive/6 A inductive	<b>Courant</b> 16 A résistifs/6 A inductifs
<b>Contatti</b> Ottone argentato faston 4,8 mm	<b>Contacts</b> Silver-plated brass 4,8 mm faston	<b>Contacts</b> Laiton argenté 4,8 mm faston
<b>Corpo</b> Policarbonato nero	<b>Body</b> Black polycarbonate	<b>Corps</b> Polycarbonate noir
<b>Cicli di lavoro</b> 10.000	<b>Operating cycles</b> 10.000	<b>Durée de vie</b> 10.000 cycles
<b>Temperatura</b> 125°C	<b>Temperature</b> 125°C	<b>Température</b> 125°C



Codice Code Code	Circuito Circuit Circuit	Colore bascula Rocker colour Couleur bascule
I3950	on - off	■
I3953	on - of	■ neon
I3955	on - off	■ neon
I3952	on - off	■ neon
I3921	on - mom	■

**Accessorio | Accessory | Accessoire**  
PG3900 calotta di protezione IP64/protection cover IP64/capot de protection IP64

### Dimensioni | Dimensions | Dimensions



grado di protezione 40 IP  
sealing IP 40  
indice de protection IP 40

cava pannello 19x13 mm  
panel cut-out 19x13 mm  
découpe du panneau 19x13 mm

100 pz  
100 pcs  
100 pces

pronta  
in stock  
en stock

## INTERRUTTORI

Switches | Interrupteurs



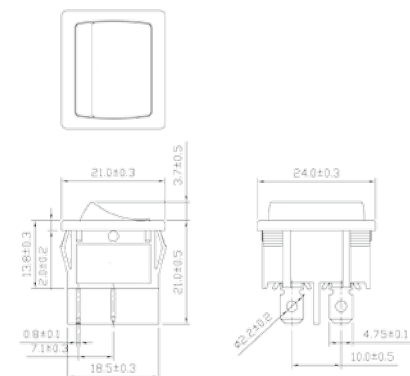
### INTERRUTTORI BIPOLARI Double pole switches | Interrupteurs bipolaires

<b>Tensione</b> 125 - 250Vac	<b>Voltage</b> 125 - 250Vac	<b>Tension</b> 125 - 250Vac
<b>Corrente</b> 10 A - 6 A	<b>Current</b> 10 A - 6 A	<b>Courant</b> 10 A - 6 A
<b>Contatti</b> Ottone argentato faston 4,8 mm	<b>Contacts</b> Silver-plated brass 4,8 mm faston	<b>Contacts</b> Laiton argenté faston 4,8 mm
<b>Corpo</b> Nylon UL94V-2	<b>Body</b> Nylon UL94V-2	<b>Corps</b> Nylon UL94V-2
<b>Temperatura</b> 85°C	<b>Temperature</b> 85°C	<b>Température</b> 85°C
<b>Norme riferimento</b> UL 1054 EN61058	<b>Standards</b> UL 1054 EN61058	<b>Normes</b> UL 1054 EN61058



Codice Code Code	Circuito Circuit Circuit	Colore bascula Rocker colour Couleur bascule
<b>Non luminoso   Not Luminous   Non Lumineux</b>		
KB 033 48 A0BB	on - off	■
KB 033 48 C0BB	on - on	■
KB 033 48 D0BB	on off on	■
KB 033 48 I0BB	mom off mom	■
KB 033 48 A0BR	on - off	■
KB 033 48 C0BR	on - on	■
KB 033 48 D0BR	on off on	■
KB 033 48 I0BR	mom off mom	■
<b>Luminoso   Luminous   Lumineux</b>		
KB 033 48 B2BR	on - off	■ neon
KB 033 48 B2BG	on - off	■ neon
KB 033 48 B2BY	on - off	■ neon

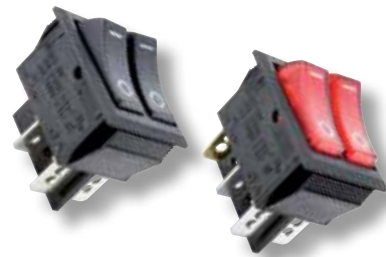
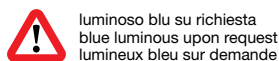
### Dimensioni | Dimensions | Dimensions



**Foratura del pannello**  
Cut-out - Découpe du panneau

X y

	X	Y
0.75-1.25	19.4-0.1	22.2+0.1
1.25-2	19.6-0.1	22.2+0.1
2-3	20.2-0.1	22.2+0.1



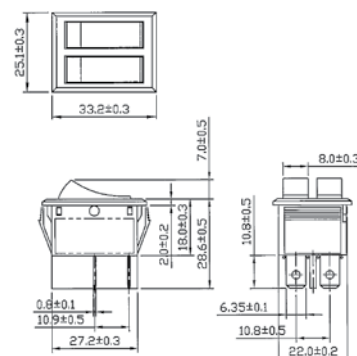
### INTERRUTTORI BIPOLARI Double pole switches | Interrupteurs bipolaires

<b>Tensione</b> 125 - 250Vac	<b>Voltage</b> 125 - 250Vac	<b>Tension</b> 125 - 250Vac
<b>Corrente</b> 16 A - 10 A	<b>Current</b> 16 A - 10 A	<b>Courant</b> 16 A - 10 A
<b>Contatti</b> Ottone argentato faston 6,3 mm	<b>Contacts</b> Silver-plated brass 6,3 mm faston	<b>Contacts</b> Laiton argenté faston 6,3 mm
<b>Corpo</b> Nylon UL94V-2	<b>Body</b> Nylon UL94V-2	<b>Corps</b> Nylon UL94V-2
<b>Temperatura</b> 85°C	<b>Temperature</b> 85°C	<b>Température</b> 85°C
<b>Norme riferimento</b> UL 1054 EN61058	<b>Standards</b> UL 1054 EN61058	<b>Normes</b> UL 1054 EN61058



Codice Code Code	Circuito Circuit Circuit	Colore bascula Rocker colour Couleur bascule
<b>Non luminoso   Not Luminous   Non Lumineux</b>		
KB 090 63 A0BB	on - off	■
KB 090 63 C0BB	on - on	■
<b>Luminoso   Luminous   Lumineux</b>		
KB 090 63 B2BR	on - off	■ neon
KB 090 63 B2BG	on - off	■ neon
KB 090 63 B2BY	on - off	■ neon

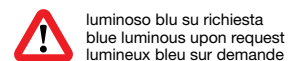
### Dimensioni | Dimensions | Dimensions



**Foratura del pannello**  
Cut-out - Découpe du panneau

X y

	X	Y
0.75-1.25	30.2-0.1	22.2+0.1
1.25-2	30.4-0.1	22.2+0.1
2-3	30.8-0.1	22.2+0.1



## INTERRUTTORI

Switches | Interrupteurs



### INTERRUTTORI UNIPOLARI

Single pole switches | Interrupteurs unipolaires

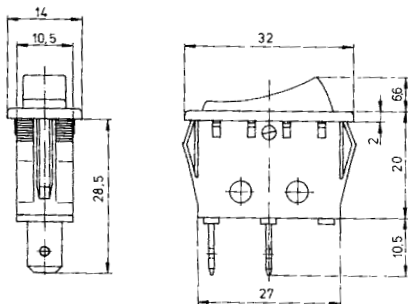
<b>Tensione</b> 250 Vac	<b>Voltage</b> 250 Vac	<b>Tension</b> 250 Vac
<b>Corrente</b> 16 A resistivi/6 A induttivi	<b>Current</b> 16 A resistive/6 A inductive	<b>Courant</b> 16 A résistifs/6 A inductifs
<b>Contatti</b> Ottone argentato faston 6,3 mm	<b>Contacts</b> Silver-plated brass 6,3 mm faston	<b>Contacts</b> Laiton argenté faston 6,3 mm
<b>Corpo</b> Poliamide 66 nero	<b>Body</b> Black 66 polyamide	<b>Corps</b> Polyamide 66 noir
<b>Cicli di lavoro</b> 300.000	<b>Operating cycles</b> 300.000	<b>Durée de vie</b> 300.000 cycles
<b>Temperatura</b> 125°C	<b>Temperature</b> 125°C	<b>Température</b> 125°C
<b>Norme riferimento</b> UL1054 EN 61058	<b>Standards</b> UL1054 EN 61058	<b>Normes</b> UL1054 EN 61058



Codice Code Code	Circuito Circuit Circuit	Colore bascula Rocker colour Couleur bascule
I4600	on - on	■
I4613	on - off	■ neon
I4615	on - off	■ neon
I4612	on - off	■ neon
I4620	on - off	■
• I4621	on - mom	■
I4630	on off on	■

**Accessorio | Accessory | Accessoire**  
PG4600 calotta di protezione IP54/IP54 protection cover PG4600/PG4600 capot de protection IP54

### Dimensioni | Dimensions | Dimensions



- grado di protezione 40 IP  
sealing IP 40  
indice de protection IP 40
- cava pannello 30x11 mm  
panel cut-out 30x11 mm  
découpe du panneau 30x11 mm
- corrente max 10 A  
max current 10 A  
courant max 10 A
- 100 pz  
100 pcs  
100 pces
- pronta  
in stock  
en stock



### INTERRUTTORI BIPOLARI

Double pole switches | Interrupteurs bipolaires

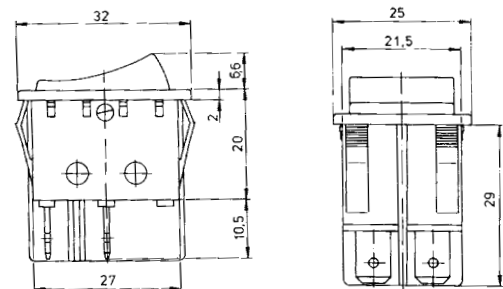
<b>Tensione</b> 250 Vac	<b>Voltage</b> 250 Vac	<b>Tension</b> 250 Vac
<b>Corrente</b> 16 A resistivi/6 A induttivi	<b>Current</b> 16 A resistive/6 A inductive	<b>Courant</b> 16 A résistifs/6 A inductifs
<b>Contatti</b> Ottone argentato faston 6,3 mm	<b>Contacts</b> Silver-plated brass 6,3 mm faston	<b>Contacts</b> Laiton argenté faston 6,3 mm
<b>Corpo</b> Poliamide 66 nero	<b>Body</b> Black 66 polyamide	<b>Corps</b> Polyamide 66 noir
<b>Cicli di lavoro</b> 300.000	<b>Operating cycles</b> 300.000	<b>Durée de vie</b> 300.000 cycles
<b>Temperatura</b> 125°C	<b>Temperature</b> 125°C	<b>Température</b> 125°C
<b>Norme riferimento</b> UL1054 EN 61058	<b>Standards</b> UL1054 EN 61058	<b>Normes</b> UL1054 EN 61058



Codice Code Code	Circuito Circuit Circuit	Colore bascula Rocker colour Couleur bascule
I4700	on - on	■
I4713	on - off	■ neon
I4715	on - off	■ neon
I4712	on - off	■ neon
I4720	on - off	■
• I4721	off - mom	■
I4730	on off on	■

**Accessorio | Accessory | Accessoire**  
PG4700 calotta di protezione IP54/IP54 protection cover PG4700/PG4700 capot de protection IP54

### Dimensioni | Dimensions | Dimensions



- grado di protezione 40 IP  
sealing IP 40  
indice de protection IP 40
- cava pannello 30x22 mm  
panel cut-out 30x22 mm  
découpe du panneau 30x22 mm
- corrente max 10 A  
max current 10 A  
courant max 10 A
- 100 pz  
100 pcs  
100 pces
- pronta  
in stock  
en stock

## INTERRUTTORI

Switches | Interrupteurs



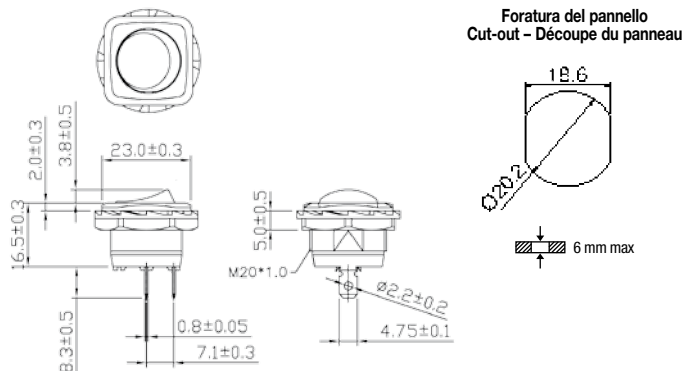
### INTERRUTTORI UNIPOLARI Single pole switches | Interrupteurs unipolaires

<b>Tensione</b> 125 - 250 Vac	<b>Voltage</b> 125 - 250 Vac	<b>Tension</b> 125 - 250 Vac
<b>Corrente</b> 16 A - 10 A	<b>Current</b> 16 A - 10 A	<b>Courant</b> 16 A - 10 A
<b>Contatti</b> Ottone argentato faston 4,8 mm	<b>Contacts</b> Silver-plated brass 4,8 mm faston	<b>Contacts</b> Laiton argenté faston 4,8 mm
<b>Corpo</b> Nylon caricato vetro UL94 V-2	<b>Body</b> Glass filled nylon UL94 V-2	<b>Corps</b> Nylon chargé verre UL94 V-2
<b>Temperatura</b> 85°C	<b>Temperature</b> 85°C	<b>Température</b> 85°C
<b>Norme riferimento</b> UL 1054 EN61058	<b>Standards</b> UL 1054 EN61058	<b>Normes</b> UL 1054 EN61058



Codice Code Code	Circuito Circuit Circuit	Colore bascula Rocker colour Couleur bascule
<b>Non luminoso   Not Luminous   Non Lumineux</b>		
KB 135 48 A0BB	on - off	■
KB 135 48 C0BB	on - on	■
KB 135 48 D0BB	on off on	■
KB 135 48 F0BB	off - mom	■
KB 135 48 I0BB	mom off mom	■
KB 135 48 A0BR	on - off	■
KB 135 48 C0BR	on - on	■
KB 135 48 D0BR	on off on	■
KB 135 48 F0BR	off - mom	■
KB 135 48 I0BR	mom off mom	■
<b>Luminoso   Luminous   Lumineux</b>		
KB 135 48 B2BR	on - off	■ neon
KB 135 48 B2BG	on - off	■ neon
KB 135 48 B2BY	on - off	■ neon

#### Dimensioni | Dimensions | Dimensions



200 pz  
200 pcs  
200 pces



pronta  
in stock  
en stock



luminoso blu su richiesta  
blue luminous upon request  
lumineux bleu sur demande



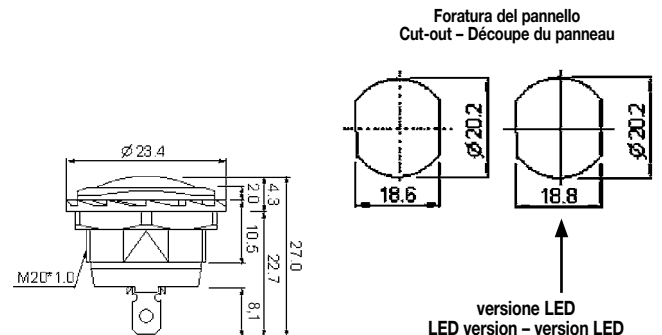
### INDICATORI LUMINOSI Luminous indicator | Indicateurs lumineux

<b>Contatti</b> Ottone argentato 4,8 mm faston	<b>Contacts</b> Silver-plated brass 4,8 mm faston	<b>Contacts</b> Laiton argenté 4,8 mm faston
<b>Corpo</b> Nylon UL 94V-2	<b>Body</b> Nylon UL94V-2	<b>Corps</b> Nylon UL94V-2
<b>Resistenza di isolamento</b> 100 MΩ (@ 500 DC)	<b>Insulation resistance</b> 100 MΩ (@ 500 DC)	<b>Résistance d'isolation</b> 100 MΩ (@ 500 DC)
<b>Temperatura</b> -20°C +80°C	<b>Temperature</b> -20°C +80°C	<b>Température</b> -20°C +80°C
<b>Norme riferimento</b> DIN VDE 0710 Teil 1:1969-03 DIN VDE 0710 Teil 1:1968-05	<b>Standards</b> DIN VDE 0710 Teil 1:1969-03 DIN VDE 0710 Teil 1:1968-05	<b>Normes</b> DIN VDE 0710 Teil 1:1969-03 DIN VDE 0710 Teil 1:1968-05



Codice Code Code	Caratteristiche Characteristic Caractéristiques	Tensione Voltage Tension	Colore Colour Couleur
KI 095 48 X2BR	neon	220 V AC	■
KI 095 48 X2BG	neon	220 V AC	■
KI 095 48 X2BY	neon	220 V AC	■
KI 095 48 X5BR	led	12 V DC	■
KI 095 48 X5BG	led	12 V DC	■
KI 095 48 X5BY	led	12 V DC	■
KI 095 48 X6BR	led	24 V DC	■
KI 095 48 X6BG	led	24 V DC	■
KI 095 48 X6BY	led	24 V DC	■
KI 095 48 X3BR	filamento/filament/filament	12 V DC	■
KI 095 48 X3BG	filamento/filament/filament	12 V DC	■
KI 095 48 X3BY	filamento/filament/filament	12 V DC	■
KI 095 48 X4BR	filamento/filament/filament	24 V DC	■
KI 095 48 X4BG	filamento/filament/filament	24 V DC	■
KI 095 48 X4BY	filamento/filament/filament	24 V DC	■

#### Dimensioni | Dimensions | Dimensions



200 pz  
200 pcs  
200 pces



30 giorni  
30 days  
30 jours



luminoso blu su richiesta  
blue luminous upon request  
lumineux bleu sur demande

## INTERRUTTORI

Switches | Interrupteurs



### INTERRUTTORI UNIPOLARI

Single pole switches | Interrupteurs unipolaires

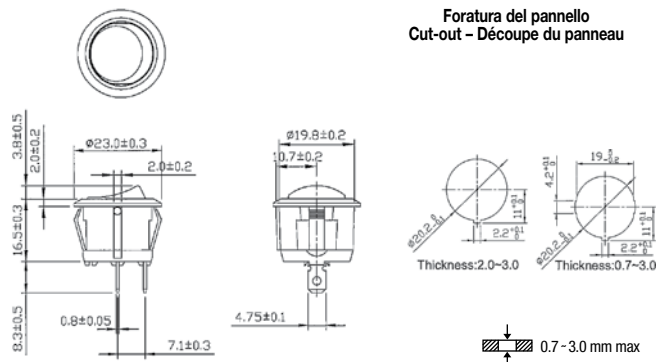
<b>Tensione</b> 125 - 250 Vac	<b>Voltage</b> 125 - 250 Vac	<b>Tension</b> 125 - 250 Vac
<b>Corrente</b> 16 A - 10 A	<b>Current</b> 16A - 10 A	<b>Courant</b> 16 A - 10 A
<b>Contatti</b> Ottone argentato faston 4,8 mm	<b>Contacts</b> Silver-plated brass 4,8 mm faston	<b>Contacts</b> Laiton argenté faston 4,8 mm
<b>Corpo</b> Nylon UL94V-2	<b>Body</b> Nylon UL94V-2	<b>Corps</b> Nylon UL94V-2
<b>Temperatura</b> 85°C	<b>Temperature</b> 85°C	<b>Température</b> 85°C



Codice Code Code	Circuito Circuit Circuit	Colore bascula Rocker colour Couleur bascule
<b>Non luminoso   Not Luminous   Non Lumineux</b>		
KB 112 48 A0BB	on - off	■
KB 112 48 C0BB	on - on	■
KB 112 48 D0BB	on off on	■
KB 112 48 F0BB	off - mom	■
KB 112 48 I0BB	mom off mom	■
KB 112 48 A0BR	on - off	■
KB 112 48 C0BR	on - on	■
KB 112 48 D0BR	on off on	■
KB 112 48 F0BR	off - mom	■
KB 112 48 I0BR	mom off mom	■
<b>Luminoso   Luminous   Lumineux</b>		
KB 112 48 B2BR	on - off	■ neon
KB 112 48 B2BG	on - off	■ neon
KB 112 48 B2BY	on - off	■ neon

**Accessorio | Accessory | Accessoire**  
PGK2800 cappuccio protezione/protection cover / PGK2800 capot de protection

#### Dimensioni | Dimensions | Dimensions



200 pz  
200 pcs  
200 pces

pronta  
in stock  
en stock



luminoso blu su richiesta  
blue luminous upon request  
lumineux bleu sur demande



### INDICATORI LUMINOSI

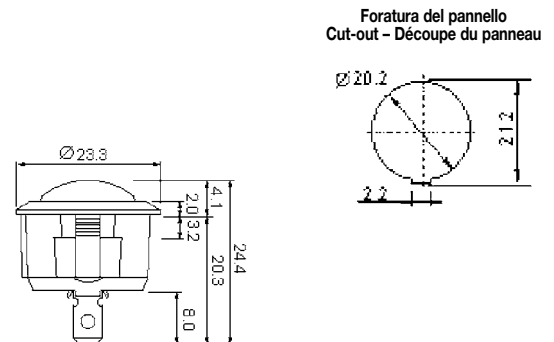
Luminous indicators | Indicateurs lumineux

<b>Contatti</b> Ottone argentato faston 4,8 mm	<b>Contacts</b> Silver-plated brass 4,8 mm faston	<b>Contacts</b> Laiton argenté faston 4,8 mm
<b>Corpo</b> Nylon UL 94V-2	<b>Body</b> Nylon UL94V-2	<b>Corps</b> Nylon UL94V-2
<b>Resistenza di isolamento</b> 100 MΩ (@ 500 DC)	<b>Insulation resistance</b> 100 MΩ (@ 500 DC)	<b>Résistance d'isolation</b> 100 MΩ (@ 500 DC)
<b>Temperatura</b> -20°C +80°C	<b>Temperature</b> -20°C +80°C	<b>Température</b> -20°C +80°C
<b>Norme riferimento</b> DIN VDE 0710 Teil 1:1969-03 DIN VDE 0710 Teil 1:1968-05	<b>Standards</b> DIN VDE 0710 Teil 1:1969-03 DIN VDE 0710 Teil 1:1968-05	<b>Normes</b> DIN VDE 0710 Teil 1:1969-03 DIN VDE 0710 Teil 1:1968-05



Codice Code Code	Caratteristiche Characteristic Caractéristiques	Tensione Voltage Tension	Colore Colour Couleur
KI 092 48 X2BR	neon	220 V AC	■
KI 092 48 X2BG	neon	220 V AC	■
KI 092 48 X2BY	neon	220 V AC	■
KI 092 48 X5BR	led	12V DC	■
KI 092 48 X5BG	led	12V DC	■
KI 092 48 X5BY	led	12V DC	■
KI 092 48 X6BR	led	24V DC	■
KI 092 48 X6BG	led	24V DC	■
KI 092 48 X6BY	led	24V DC	■
KI 092 48 X3BR	filamento/filament/filament	12V DC	■
KI 092 48 X3BG	filamento/filament/filament	12V DC	■
KI 092 48 X3BY	filamento/filament/filament	12V DC	■
KI 092 48 X4BR	filamento/filament/filament	24V DC	■
KI 092 48 X4BG	filamento/filament/filament	24V DC	■
KI 092 48 X4BY	filamento/filament/filament	24V DC	■

#### Dimensioni | Dimensions | Dimensions



200 pz  
200 pcs  
200 pces

30 giorni  
30 days  
30 jours



luminoso blu su richiesta  
blue luminous upon request  
lumineux bleu sur demande

## INTERRUTTORI

Switches | Interrupteurs



### INTERRUTTORI BIPOLARI Double pole switches | Interrupteurs bipolaires

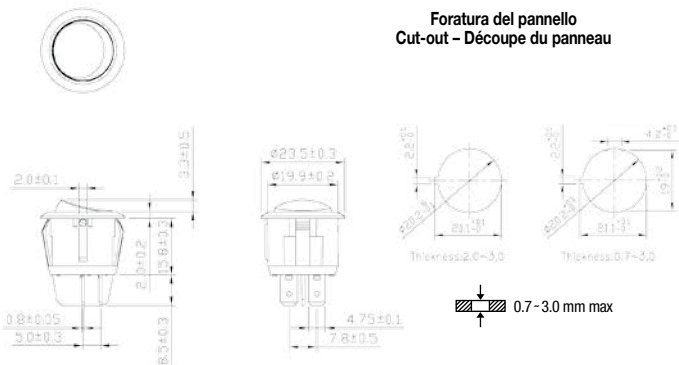
<b>Tensione</b> 125 - 250 Vac	<b>Voltage</b> 125 - 250 Vac	<b>Tension</b> 125 - 250 Vac
<b>Corrente</b> 16 A - 10 A	<b>Current</b> 16 A - 10 A	<b>Courant</b> 16 A - 10 A
<b>Contatti</b> Ottone argentato faston 4,8 mm	<b>Contacts</b> Silver-plated brass 4,8 mm faston	<b>Contacts</b> Laiton argenté faston 4,8 mm
<b>Corpo</b> Nylon UL94V-2	<b>Body</b> Nylon UL94V-2	<b>Corps</b> Nylon UL94V-2
<b>Temperatura</b> 85°C	<b>Temperature</b> 85°C	<b>Température</b> 85°C



Codice Code Code	Circuito Circuit Circuit	Colore bascula Rocker colour Couleur bascule
<b>Non luminoso   Not Luminous   Non Lumineux</b>		
KB 244 48 A0BB	on - off	■
KB 244 48 C0BB	on - on	■
KB 244 48 D0BB	on off on	■
KB 244 48 I0BB	mom off mom	■
KB 244 48 A0BR	on - off	■
KB 244 48 C0BR	on - on	■
KB 244 48 D0BR	on off on	■
KB 244 48 I0BR	mom off mom	■
<b>Luminoso   Luminous   Lumineux</b>		
KB 244 48 B2BR	on - off	■ neon
KB 244 48 B2BG	on - off	■ neon
KB 244 48 B2BY	on - off	■ neon
<b>Accessorio   Accessory   Accessoire</b>		
PGK2800 cappuccio protezione/protection cover PGK2800 / PGK2800 capot de protection		

#### Dimensioni | Dimensions | Dimensions

Foratura del pannello  
Cut-out - Découpe du panneau



luminoso blu su richiesta  
blue luminous upon request  
lumineux bleu sur demande



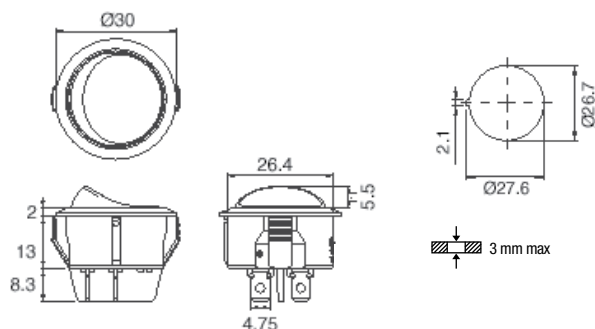
### INTERRUTTORI BIPOLARI Double pole switches | Interrupteurs bipolaires

<b>Tensione</b> 125 - 250 Vac	<b>Voltage</b> 125 - 250 Vac	<b>Tension</b> 125 - 250 Vac
<b>Corrente</b> 8 A	<b>Current</b> 8 A	<b>Courant</b> 8 A
<b>Contatti</b> Ottone argentato faston 4,8mm	<b>Contacts</b> Silver-plated brass 4,8 mm faston	<b>Contacts</b> Laiton argenté faston 4,8 mm
<b>Corpo</b> Nylon UL94V-2	<b>Body</b> Nylon UL94V-2	<b>Corps</b> Nylon UL94V-2
<b>Temperatura</b> 85°C	<b>Temperature</b> 85°C	<b>Température</b> 85°C



Codice Code Code	Circuito Circuit Circuit	Colore bascula Rocker colour Couleur bascule
<b>Non luminoso   Not Luminous   Non Lumineux</b>		
KB 245 48 A0BB	on - off	■
KB 245 48 C0BB	on - on	■
KB 245 48 D0BB	on off on	■
KB 245 48 A0BR	on - off	■
KB 245 48 C0BR	on - on	■
KB 245 48 D0BR	on off on	■
<b>Luminoso   Luminous   Lumineux</b>		
KB 245 48 B2BR	on - off	■ neon
KB 245 48 B2BG	on - off	■ neon
KB 245 48 B2BY	on - off	■ neon

#### Dimensioni | Dimensions | Dimensions



luminoso blu su richiesta  
blue luminous upon request  
lumineux bleu sur demande

## INTERRUTTORI

Switches | Interrupteurs



### INTERRUTTORI A LEVA UNIPOLARI

Single pole toggle switches | Interrupteurs à levier unipolaires

<b>Tensione</b> 125 - 250 Vac	<b>Voltage</b> 125 - 250 Vac	<b>Tension</b> 125 - 250 Vac
<b>Corrente</b> 6 A - 3 A	<b>Current</b> 6 A - 3 A	<b>Courant</b> 6 A - 3 A
<b>Contatti</b> Ottone argentato a saldare	<b>Contacts</b> Silver-plated brass solder lugs	<b>Contacts</b> Laiton argenté à souder
<b>Corpo</b> Nylon UL94V-2	<b>Body</b> Nylon UL94V-2	<b>Corps</b> Nylon UL94V-2
<b>Norme riferimento</b> UL 1054	<b>Standards</b> UL 1054	<b>Normes</b> UL 1054



Codice Code Code	Circuito Circuit Circuit	Colore Colour Couleur
------------------------	--------------------------------	-----------------------------

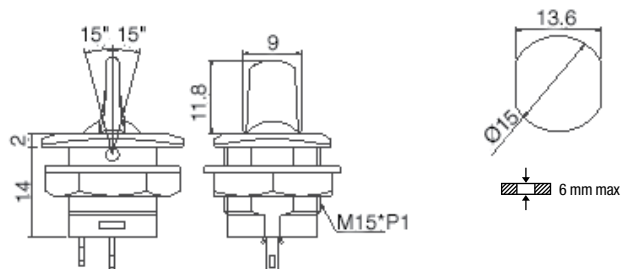
#### Non luminoso | Not Luminous | Non Lumineux

KL 402 28 A0BB	on - off	■
KL 402 28 C0BB	on - on	■
KL 402 28 D0BB	on off on	■
KL 402 28 G0BB	on - mom	■
KL 402 28 H0BB	on off mom	■
KL 402 28 I0BB	mom off mom	■

#### Dimensioni | Dimensions | Dimensions

#### Foratura del pannello

Cut-out - Découpe du panneau



100 pz  
100 pcs  
100 pces



30 giorni  
30 days  
30 jours



### INTERRUTTORI A LEVA UNIPOLARI/BIPOLARI

Single/double pole toggle switches | Interrupteurs à levier unipolaires/bipolaires

<b>Tensione</b> 125 - 250 Vac	<b>Voltage</b> 125 - 250 Vac	<b>Tension</b> 125 - 250 Vac
<b>Corrente</b> 10 A - 6 A	<b>Current</b> 10 A - 6 A	<b>Courant</b> 10 A - 6 A
<b>Contatti</b> Ottone argentato a saldare	<b>Contacts</b> Silver-plated brass solder lugs	<b>Contacts</b> Laiton argenté à souder
<b>Corpo</b> Nylon UL94V-2	<b>Body</b> Nylon UL94V-2	<b>Corps</b> Nylon UL94V-2
<b>Temperatura</b> 85° C	<b>Temperature</b> 85° C	<b>Température</b> 85° C
<b>Norme riferimento</b> UL 1054	<b>Standards</b> UL 1054	<b>Normes</b> UL 1054



Codice Code Code	Circuito Circuit Circuit	Colore bascula Rocker colour Couleur bascule
------------------------	--------------------------------	--

#### Bipolare non luminoso | Double pole not Luminous | Bipolaire non lumineux

KL 405 28 A0BB	on - off	■
KL 405 28 C0BB	on - on	■
KL 405 28 D0BB	on off on	■

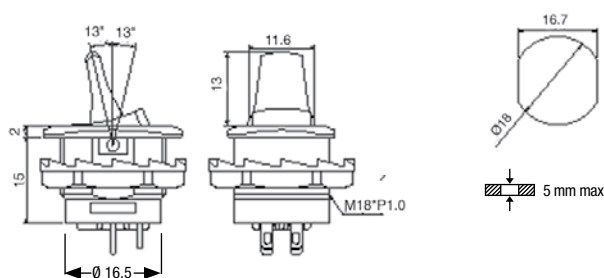
#### Unipolare luminoso | Single pole luminous | Unipolaire lumineux

KL 405 28 A5BR	on - off	■ led
KL 405 28 A5BG	on - off	■ led
KL 405 28 A5BY	on - off	■ led

#### Dimensioni | Dimensions | Dimensions

#### Foratura del pannello

Cut-out - Découpe du panneau



100 pz  
100 pcs  
100 pces



30 giorni  
30 days  
30 jours



luminoso blu su richiesta  
blue luminous upon request  
lumineux bleu sur demande



## INTERRUTTORI

Switches | Interrupteurs



I 3300



I 3520



I 3500

### INTERRUTTORI UNIPOLARI / BIPOLARI

Single/double pole switches | Interrupteurs unipolaires/bipolaires

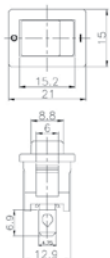
Tensione 250 Vac	Voltage 250 Vac	Tension 250 Vac
<b>Corrente</b> 3A/4A	<b>Current</b> 3A/4A	<b>Courant</b> 3A/4A
<b>Norme riferimento</b> EN 61058 UL 1054	<b>Standards</b> EN 61058 UL 1054	<b>Normes</b> EN 61058 UL 1054
<b>Cod. omologazione</b> EDK SF (I3300) EDK SE - WZ(I35XX)	<b>Approval code</b> EDK SF (I3300) EDK SE - WZ(I35XX)	<b>Code d'homologation</b> EDK SF (I3300) EDK SE - WZ(I35XX)



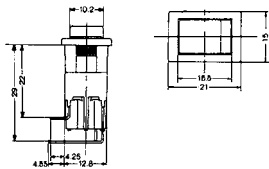
Codice Code Code	Corrente Current Courant	Circuito Circuit Circuit	N. poli N. poles N. pôles	Contatti Contacts Contacts	Colore bascula Rocker colour Couleur bascule	Led Led Led
<b>Non luminoso   Not Luminous   Non Lumineux</b>						
I3300	3A	1-2	1	faston 4,8 mm	■	-
I3500	4A	0-1	2	faston 4,8 mm	■	-
I3510	4A	0-1	2	C.S.   PCB   C.I.	■	-
I3520	4A	0-1	2	C.S.90°   PCB 90°   C.I.90°	■	-

### Dimensioni | Dimensions | Dimensions

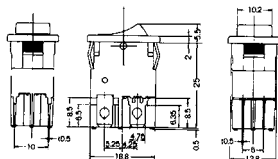
I 3300



I 3520



I 3500 - I 3510



100 pz  
100 pcs  
100 pcs

pronta  
in stock  
en stock



### INTERRUTTORI UNIPOLARI

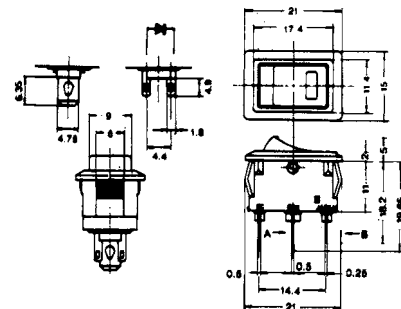
Single pole switches | Interrupteurs unipolaires

Tensione 250 Vac	Voltage 250 Vac	Tension 250 Vac
<b>Corrente</b> 3A	<b>Current</b> 3A	<b>Courant</b> 3A
<b>Norme riferimento</b> EN 61058 UL 1054	<b>Standards</b> EN 61058 UL 1054	<b>Normes</b> EN 61058 UL 1054
<b>Cod. omologazione</b> EDK SC-WL	<b>Approval code</b> EDK SC-WL	<b>Code d'homologation</b> EDK SC-WL



Codice Code Code	Corrente Current Courant	Circuito Circuit Circuit	N. poli N. poles N. pôles	Contatti Contacts Contacts	Colore bascula Rocker colour Couleur bascule	Led Led Led
<b>Luminoso   Luminous   Lumineux</b>						
I3401	3A	0-1	1	faston 4,8 mm	■	■
I3402	3A	0-1	1	faston 4,8 mm	■	■
I3403	3A	0-1	1	faston 4,8 mm	■	■

### Dimensioni | Dimensions | Dimensions



100 pz  
100 pcs  
100 pcs

pronta  
in stock  
en stock

## PULSANTI

Push-buttons | *Poussoirs*



### PULSANTI UNIPOLARI

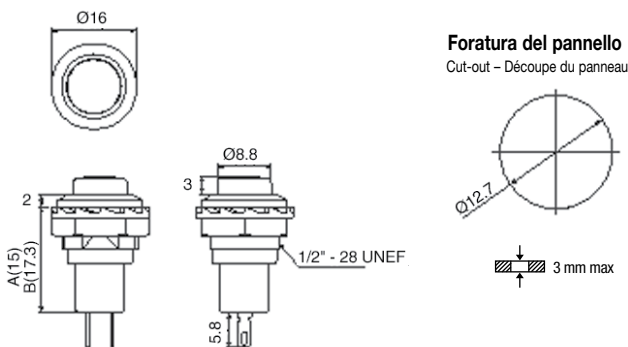
Single pole push buttons | *Poussoirs unipolaires*

<b>Tensione</b> 125 - 250 Vac	<b>Voltage</b> 125 - 250 Vac	<b>Tension</b> 125 - 250 Vac
<b>Corrente</b> 3 A - 1,5 A	<b>Current</b> 3 A - 1,5 A	<b>Courant</b> 3 A - 1,5 A
<b>Contatti</b> Ottone argentato a saldare	<b>Contacts</b> Silver-plated brass solder lugs	<b>Contacts</b> Laiton argenté à souder
<b>Corpo</b> Plastico: nylon UL94V-2 Metallico: ottone nichelato	<b>Body</b> Plastic: nylon UL94V-2 Metal: Nickel plated brass	<b>Corps</b> Plastique: nylon UL94V-2 Métallique: laiton nickelé



Codice Code Code	Circuito Circuit Circuit	Colore tasto Actuator colour Couleur bouton
<b>Corpo plastico   Plastic body   Corps plastique</b>		
KP 502 28 A0BB	off - mom (n.o.)	■
KP 502 28 B0BB	on - mom (n.c.)	■
KP 502 28 A0BR	off - mom (n.o.)	■
KP 502 28 B0BR	on - mom (n.c.)	■
<b>Corpo metallico   Metallic body   Corps métallique</b>		
KP 502 28 A0MB (ex B1383)	off - mom (n.o.)	■
KP 502 28 B0MB (ex B1384)	on - mom (n.c.)	■
KP 502 28 C0MB (ex B1385)	on - mom (n.o.-n.c.)	■
KP 502 28 A0MR	off - mom (n.o.)	■
KP 502 28 B0MR (ex B1384.3)	on - mom (n.c.)	■
KP 502 28 C0MR	on - mom (n.o.-n.c.)	■

#### Dimensioni | Dimensions | Dimensions



### PULSANTI/INTERRUTTORI UNIPOLARI

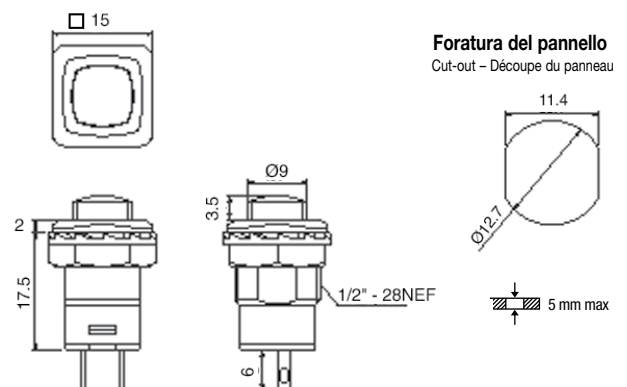
Single pole push buttons/switches | *Poussoirs/interrupteurs unipolaires*

<b>Tensione</b> 125 - 250 Vac	<b>Voltage</b> 125 - 250 Vac	<b>Tension</b> 125 - 250 Vac
<b>Corrente</b> 3 A - 1,5 A	<b>Current</b> 3 A - 1,5 A	<b>Courant</b> 3 A - 1,5 A
<b>Contatti</b> Ottone argentato a saldare	<b>Contacts</b> Silver-plated brass solder lugs	<b>Contacts</b> Laiton argenté à souder
<b>Corpo</b> Nylon caricato vetro UL 94V-2	<b>Body</b> Glass filled nylon UL 94V-2	<b>Corps</b> Nylon chargé verre UL94V-2



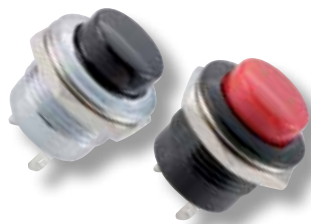
Codice Code Code	Circuito Circuit Circuit	Colore tasto Actuator colour Couleur bouton
KP 511 28 A0BB	off - mom (n.o.)	■
KP 511 28 B0BB	on - off (n.c.)	■
KP 511 28 A0BR	off - mom (n.o.)	■
KP 511 28 B0BR	on - off (n.c.)	■

#### Dimensioni | Dimensions | Dimensions



## INTERRUTTORI E PULSANTI

Switches and push-buttons | *Interrupteurs et poussoirs*



### PULSANTI UNIPOLARI

Single push pole buttons | *Poussoirs unipolaires*

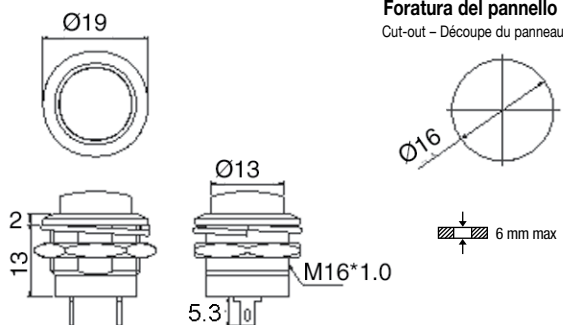
Tensione	Voltage	Tension
125 - 250 Vac	125 - 250 Vac	125 - 250 Vac
Corrente	Current	Courant
6 A - 3 A	6 A - 3 A	6 A - 3 A
Contacti	Contacts	Contacts
Ottone argentato a saldare	Silver-plated brass solder lugs	Laiton argenté à souder
Corpo	Body	Corps
Plastico: nylon UL94V-2 Metallico: ottone nichelato	Plastic: nylon UL94V-2 Metal: Nickel plated brass	Plastique: nylon UL94V-2 Métallique: laiton nickelé
Norme riferimento	Standards	Normes
UL 1054	UL 1054	UL 1054



Codice	Circuito	Colore tasto
Code	Circuit	Actuator colour
Code	Circuit	Couleur bouton

Corpo plastico   Plastic body   Corps plastique		
KP 507 28 A0BB	off - mom	■
KP 507 28 A0BR	off - mom	■
Corpo metallico   Metal body   Corps métallique		
KP 507 28 A0MB	off - mom	■
KP 507 28 A0MR	off - mom	■

#### Dimensioni | Dimensions | Dimensions



### PULSANTI/INTERRUTTORI BIPOLARI

Double pole push buttons/switches | *Poussoirs/interrupteurs bipolaires*

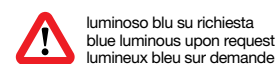
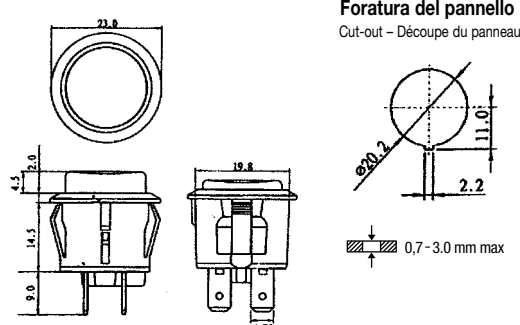
Tensione	Voltage	Tension
125 - 250 Vac	125 - 250 Vac	125 - 250 Vac
Corrente	Current	Courant
10 A - 6 A	10 A - 6 A	10 A - 6 A
Contacti	Contacts	Contacts
Ottone argentato faston 4,8 mm	Silver-plated brass 4,8 mm faston	Laiton argenté faston 4,8 mm
Corpo	Body	Corps
Nylon UL 94V-2	Nylon UL 94V-2	Nylon UL 94V-2
Temperatura	Temperature	Température
85°C	85°C	85°C
Norme riferimento	Standards	Normes
UL 1054	UL 1054	UL 1054



Codice	Circuito	Colore tasto
Code	Circuit	Actuator colour
Code	Circuit	Couleur bouton

Colorati non luminoso   Coloured, not luminous   Colorés non lumineux		
KP 527 48 A0BB	mom - off	■
KP 527 48 B0BB	on - off	■
KP 527 48 A0BR	mom - off	■
KP 527 48 B0BR	on - off	■
Luminoso   Luminous   Lumineux		
KP 527 48 A2BR	mom - off	■ neon
KP 527 48 B2BR	on - off	■ neon
KP 527 48 A2BG	mom - off	■ neon
KP 527 48 B2BG	on - off	■ neon

#### Dimensioni | Dimensions | Dimensions



## INTERRUTTORI E PULSANTI

Switches and push-buttons | *Interrupteurs et poussoirs*



### PULSANTI/INTERRUTTORI LUMINOSI

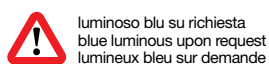
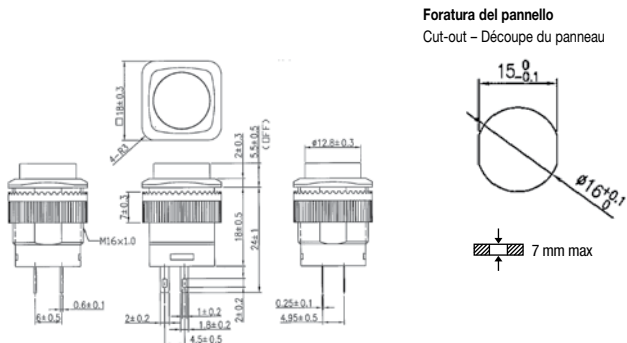
Luminous push buttons/switches | *Poussoirs/interrupteurs lumineux*

<b>Tensione</b> 125 - 250 Vac	<b>Voltage</b> 125 - 250 Vac	<b>Tension</b> 125 - 250 Vac
<b>Corrente</b> 3 A - 1,5 A	<b>Current</b> 3A - 1,5A	<b>Courant</b> 3 A - 1,5 A
<b>Contatti</b> Ottone argentato a saldare	<b>Contacts</b> Silver-plated brass solder lugs	<b>Contacts</b> Laiton argenté à souder
<b>Corpo</b> Nylon caricato vetro UL94 V-2	<b>Body</b> Glass filled nylon UL94 V-2	<b>Corps</b> Nylon chargé verre UL94 V-2
<b>Norme riferimento</b> UL 1054	<b>Standards</b> UL 1054	<b>Normes</b> UL 1054
<b>LED</b> 3V DC	<b>LED</b> 3V DC	<b>LED</b> 3V DC



Codice Code Code	Circuito Circuit Circuit	Colore tasto Actuator colour Couleur bouton
KP 508 28 A5BR	off - mom	led
KP 508 28 B5BR	off - on	led
KP 508 28 A5BG	off - mom	led
KP 508 28 B5BG	off - on	led

### Dimensioni | Dimensions | Dimensions



### PULSANTI/INTERRUTTORI LUMINOSI UNIPOLARI

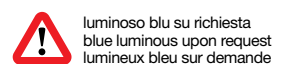
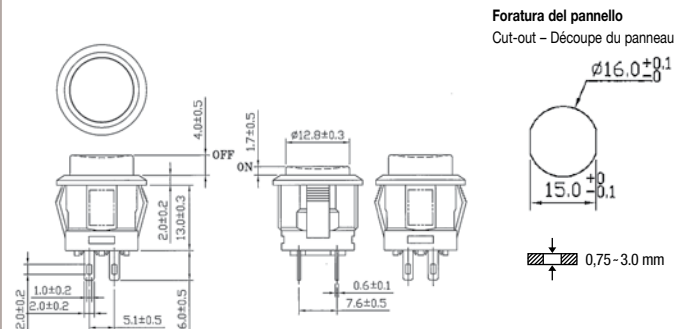
Single pole luminous push buttons/switches | *Poussoirs/interrupteurs unipolaires lumineux*

<b>Tensione</b> 125 - 250 Vac	<b>Voltage</b> 125 - 250 Vac	<b>Tension</b> 125 - 250 Vac
<b>Corrente</b> 3 A - 1,5 A	<b>Current</b> 3 A - 1,5 A	<b>Courant</b> 3 A - 1,5 A
<b>Contatti</b> Ottone argentato a saldare	<b>Contacts</b> Silver-plated brass solder lugs	<b>Contacts</b> Laiton argenté à souder
<b>Corpo</b> Nylon UL 94V-2	<b>Body</b> Nylon UL 94V-2	<b>Corps</b> Nylon UL 94V-2
<b>Temperatura</b> 85°C	<b>Temperature</b> 85°C	<b>Température</b> 85°C
<b>Norme riferimento</b> UL 1054	<b>Standards</b> UL 1054	<b>Normes</b> UL 1054



Codice Code Code	Circuito Circuit Circuit	Colore tasto Actuator colour Couleur bouton
KP 523 28 A5BR	off - mom	led
KP 523 28 B5BR	off - on	led
KP 523 28 A5BG	off - mom	led
KP 523 28 B5BG	off - on	led

### Dimensioni | Dimensions | Dimensions



## INTERRUTTORI A BASCULA E PULSANTI

Rocker switches and push-buttons | *Interrupteurs à bascule et poussoirs*



### INTERRUTTORI RETTANGOLARI CON SOFFIETTO

Watertight square switches | *Interrupteurs rectangulaires avec soufflet*

Tensione	Voltage	Tension
250Vac	250Vac	250Vac
Corrente	Current	Courant
10A/16A	10A/16A	10A/16A
Contatti	Contacts	Contacts
Ottone argentato	Silver-plated brass	Laiton argenté
Faston 4,8mm (KB066)	Faston 4,8mm (KB066)	Faston 4,8mm (KB066)
Faston 6,3mm (KB238-KB285)	Faston 6,3mm (KB238-KB285)	Faston 6,3mm (KB238-KB285)
Corpo	Body	Corps
Nylon UL94-V2	Nylon UL94-V2	Nylon UL94-V2
Temperatura	Temperature	Température
85°C	85°C	85°C

KB285



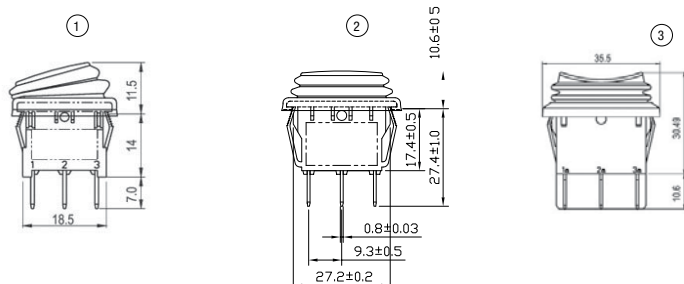
KB066-KB238



Codice	N° poli	Corrente	Circuito	Foro pannello	Colore bascula
Code	N° poles	Current	Circuit	Panel cut	Rocker colour
Code	N° pôles	Courant	Circuit	Découpe de panneau	Couleur bascule

KB066 (1)					
KB06648A8BB	1	10A	on - off	19,8x13	■
KB06648B8BR	1	10A	on - off	19,8x13	■ Lum.
KB06648B8BG	1	10A	on - off	19,8x13	■ Lum.
KB06648B8BY	1	10A	on - off	19,8x13	■ Lum.
KB238 (2)					
KB23863A8BB	1	16A	on - off	27,8x13	■
KB23863B8BR	1	16A	on - off	27,8x13	■ Lum.
KB23863B8BG	1	16A	on - off	27,8x13	■ Lum.
KB23863B8BY	1	16A	on - off	27,8x13	■ Lum.
KB285 (3)					
KB28563A82BB	2	10A	on - off	22,2x30,4	■
KB28563A8L2BR	2	10A	on - off	22,2x30,4	■ Lum.
KB28563A8L2BG	2	10A	on - off	22,2x30,4	■ Lum.
KB28563A8L2BY	2	10A	on - off	22,2x30,4	■ Lum.

Dimensioni | Dimensions | Dimensions



### INTERRUTTORI E PULSANTI ROTONDI CON SOFFIETTO

Watertight round switches and push button | *Interrupteurs et poussoirs ronds avec soufflet*

Tensione	Voltage	Tension
250Vac	250Vac	250Vac
Corrente	Current	Courant
10A	10A	10A
Contatti	Contacts	Contacts
Ottone argentato	Silver-plated brass	Laiton argenté
Faston 4,8mm	Faston 4,8mm	Faston 4,8mm
Corpo	Body	Corps
Nylon 6.6	Nylon 6.6	Nylon 6.6
Temperatura	Temperature	Température
85°C	85°C	85°C

KP527



KB244



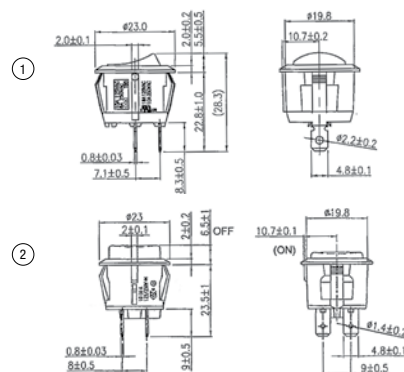
KB112



Codice	N° poli	Circuito	Colore bascula
Code	N° poles	Circuit	Rocker colour
Code	N° pôles	Circuit	Couleur bascule

Bascula   Rocker   Bascule (1)			
KB11248A8BB	1	on - off	■
KB11248B8BR	1	on - off	■ Lum.
KB11248B8BG	1	on - off	■ Lum.
KB11248B8BY	1	on - off	■ Lum.
KB24448A8BB	2	on - off	■
KB24448B8BR	2	on - off	■ Lum.
KB24448B8BG	2	on - off	■ Lum.
KB24448B8BY	2	on - off	■ Lum.
Pulsante   Push button   Poussoir (2)			
KP52748D2BB	1	on - off	■
KP52748B2BB	2	on - off	■
KP52748D2BBR	1	on - off	■ Lum.
KP52748D2BBG	1	on - off	■ Lum.
KP52748D2BBY	1	on - off	■ Lum.
KP52748B2LBR	2	on - off	■ Lum.
KP52748B2LBG	2	on - off	■ Lum.
KP52748B2LBY	2	on - off	■ Lum.

Dimensioni | Dimensions | Dimensions



**PULSANTI**

 Push-buttons | *Poussoirs*

B5310 - B5311	Pulsante/cappuccio	Switch/prot. cover	Poussoir/capuchon	
	<b>B5310</b> Pulsante instabile 0-1 <b>Corrente</b> 2 A <b>Tensione</b> 250 V <b>Corpo</b> Nero UL94 V0 <b>Bottone</b> Rosso <b>Terminali</b> Saldare <b>B5311</b> Cappuccio trasparente	<b>B5310</b> Momentary switch 0-1 <b>Current</b> 2 A <b>Voltage</b> 250V <b>Body</b> Black UL94 V0 <b>Button</b> Red <b>Contacts</b> Solder <b>B5311</b> Transparent protection cover	<b>B5310</b> Poussoir instable 0-1 <b>Courant</b> 2 A <b>Tension</b> 250 V <b>Corps</b> Noir UL94 V0 <b>Bouton</b> Rouge <b>Contacts</b> À souder <b>B5311</b> Capuchon transparent	
	100 pz 100 pcs 100 pcs		pronta in stock en stock	

B1323 - B1324	Pulsanti da C.S. e pannello	PCB and panel mounting switches	Poussoirs pour C.I. et panneau	
	<b>B1323</b> Pulsante nero instabile 0-1 <b>B1324</b> Interruttore nero 0-1 <b>Corrente</b> 1,5 A/3 A <b>Tensione</b> 250 V/125 V <b>Contatti</b> Saldare	<b>B1323</b> Black momentary switch 0-1 <b>B1324</b> Black switch 0-1 <b>Current</b> 1,5 A/3 A <b>Voltage</b> 250 V/125 V <b>Contacts</b> Solder	<b>B1323</b> Poussoir noir instable 0-1 <b>B1324</b> Interrupteur noir 0-1 <b>Courant</b> 1,5 A/3 A <b>Tension</b> 250 V/125 V <b>Contacts</b> À souder	
	100 pz 100 pcs 100 pcs		pronta in stock en stock	