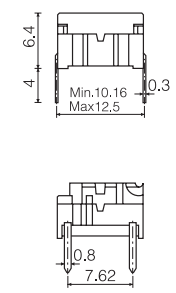
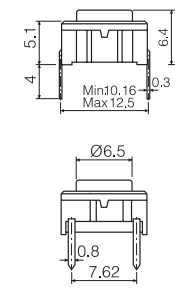
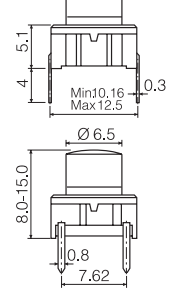
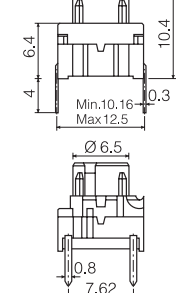
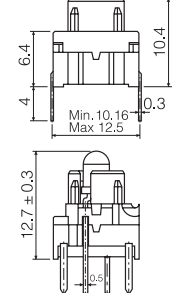
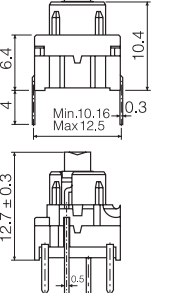
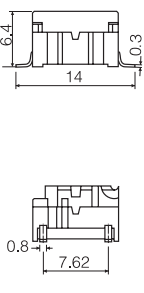
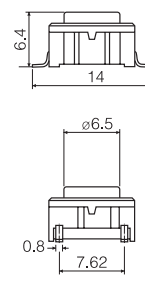
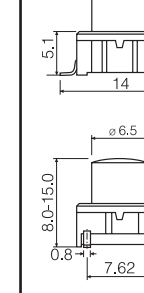
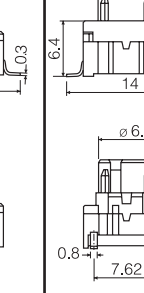
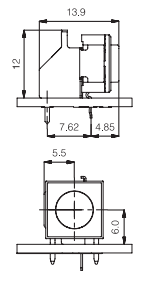
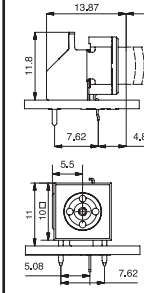
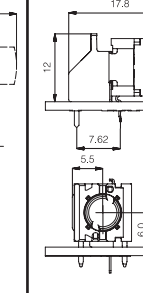
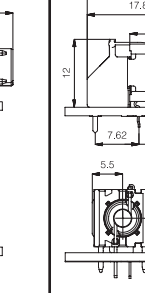
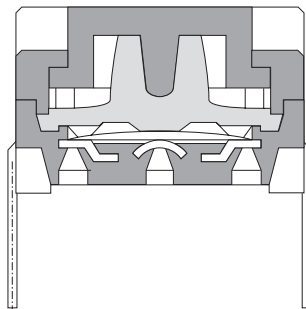


Through-hole Versions					
3A	3C	3E	3F		
For: 1A/1B/1M/1ZA/1ZB		For: 3E actuators/ Varimec	For:1D/1GA/1GC/1K/ 1N/1P/1S/1T/1U/1V/ 1WA/1WD/1WP/ 1X/ 1ZC	w/LED for 1D/1E/1F/ 1N/1Q/1R/1S/1X	w/LED for 1K/1KB/ 1KC/1T/1U/1V/ 1WA/1WD/1WP
					
Standard Version					
3ATL6 3ATH9	3CTL6/3CTL9 3CTH9	3ETLXX-H* 3ETHXX-H*	3FTL6 3FTH9	3FTL600/20/40/60/ 80/2040/8020/8040	3FTL623/45/88
* 3E available in 6 standard heights: 08.0, 09.5, 10.4, 11.0, 12.0, 15.0 mm. Other heights between 08.0 and 15.0 are available upon request.					
Specials: Gold contacts, quiet version and actuation force other than 3.0N					

Surface Mount Versions				Right Angle Versions			
3A	3C	3E	3F	3C	3E	3F	3F w/LED
For: 1A/1B/1M/1ZA/ 1ZB		For: 3E actuators/ Varimec	For: 1D/1K/1N/ 1P/1S/1T/1U/ 1V/1WA/1WD/ 1WP/1X/1ZC/ 1GA/1GC		For: 3E actuators/ Varimec	For: 1D/1K/1N/ 1P/1S/1T/1U/ 1V/1WA/1WD/ 1WP/1X/1ZC/ 1GA/1GC	For: 1D/1E/1F/ 1N/1Q/1R/1S
							
Standard Versions				Standard Versions			
3ASH9 3ASH9R	3CSH9 3CSH9R	3ESH9 3ESH9R	3FSH9 3FSH9R	3CTL6RAS	3ETXX-X.XRAS	3FTL6RAS	3FTL600/20/40/ 60/80/2040/ 8020/8040RAS

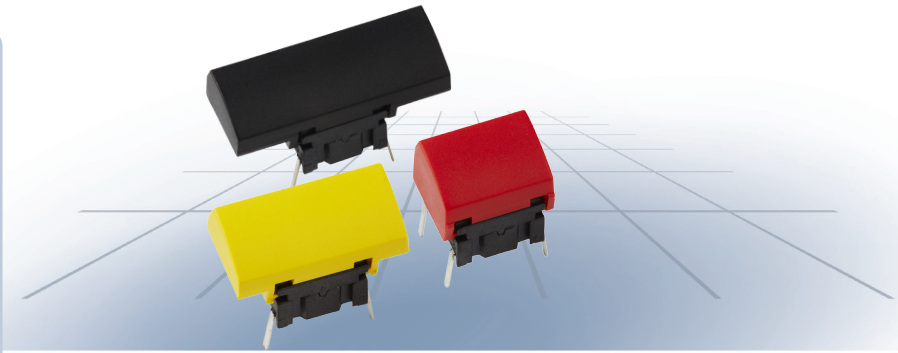
Co-planarity = ≤0.05 DIMENSIONS (mm) Unless otherwise specified, all tolerances ±0.2

multimec® Cross Sections

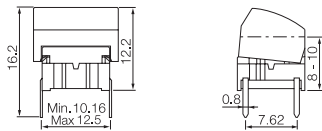


Technical Data

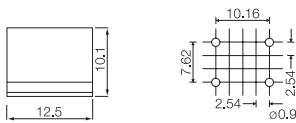
- through-hole or SMD
- 50mA/24VDC
- single pole/momentary
- 10.000.000 operations life time
- IP67 sealing
- temperature range:
 - low temp: -40/+115°C
 - high temp: -40/+160°C



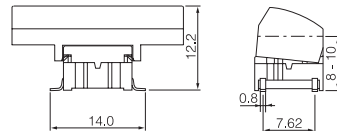
Dimensions (through-hole) 1A



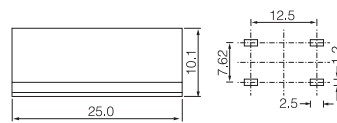
PCB layout



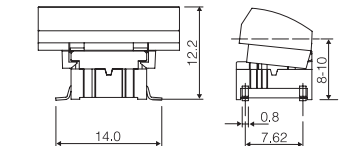
Dimensions (SMD) 1M



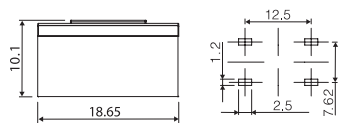
PCB layout



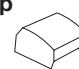

Dimensions (SMD) 1ZA

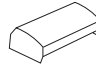


PCB layout



How to order

3 A	<input type="checkbox"/>	<input type="checkbox"/>	+	1 A	<input type="checkbox"/>		
Switch	Mounting	L 6 low temp.		Cap	00 blue	30* ultra blue	50* metal dark blue
	T through-hole	H 9 high temp.			02 green	40* dusty blue	53* metal light grey
	S surface mount			1 Z A	03* grey	42* aqua blue	57* metal dark grey
				Cap	04 yellow	32 mint green	58* metal bordeaux
					06* white	33 tele grey	
					08 red	34 melon	
					09* black	38 noble red	*) Colours for 1ZA

3 A	<input type="checkbox"/>	<input type="checkbox"/>	+	1 M	<input type="checkbox"/>	
Switch	Mounting	L 6 low temp.		Cap	00 blue	
	T through-hole	H 9 high temp.			02 green	
	S surface mount				03 grey	
					04 yellow	
					06 white	
					08 red	
					09 black	

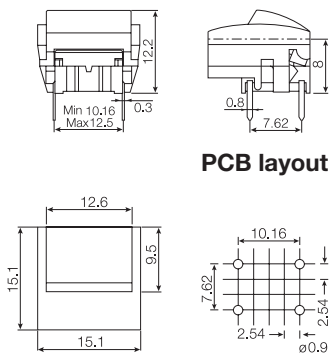
Ordering example: 3ATL6+1ZA40

Technical Data

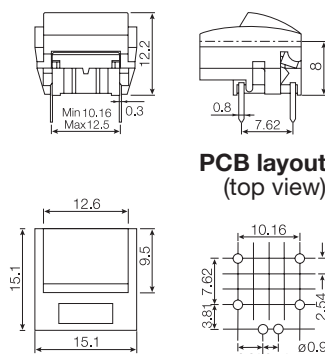
- through-hole or SMD
- 50mA/24VDC
- single pole/momentary
- 10.000.000 operations life time
- IP67 sealing
- temperature range:
 - low temp: -40/+115°C
 - high temp: -40/+160°C



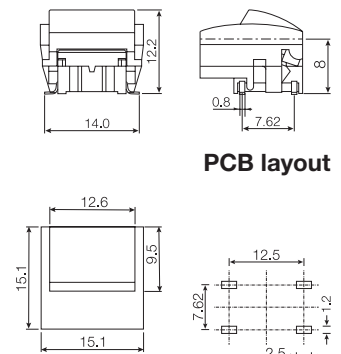
Dimensions (through-hole)



Dimensions w/LED PCB mounted (2D)



Dimensions (SMD)



How to order

3 A	<input type="checkbox"/>	<input type="checkbox"/>	+	1 B	<input type="checkbox"/>	+	2 C	<input type="checkbox"/>	For 1B and 2C only:	
Switch	Mounting	L 6 low temp. H 9 high temp.		Cap	00 blue 02 green 03 grey 04 yellow 06 white 08 red 09 black		Bezel	00 blue 02 green 03 grey 04 yellow 06 white 08 red 09 black	30 ultra blue 40 dusty blue 42 aqua blue 32 mint green 33 tele grey 34 melon 38 noble red	50 metal dark blue 53 metal light grey 57 metal dark grey 58 metal bordeaux

3 A	<input type="checkbox"/>	<input type="checkbox"/>	+	1 B	<input type="checkbox"/>	+	2 D	<input type="checkbox"/>	<input type="checkbox"/>
Switch	Mounting	L 6 low temp. H 9 high temp.		Cap	00 blue 02 green 03 grey 04 yellow 06 white 08 red 09 black		Bezel	00 blue 02 green 03 grey 04 yellow 06 white 08 red 09 black	Lens 1 transparent 2 green 4 yellow 6 frosted white 8 red
							+	2 D X X X	
								LED for 2B bezel	20 green 40 yellow 80 red

Ordering example: 3ATL6+1B02+2D091

Mouser Electronics

Authorized Distributor

Click to View Pricing, Inventory, Delivery & Lifecycle Information:

[Apem:](#)

[3ATL6](#)