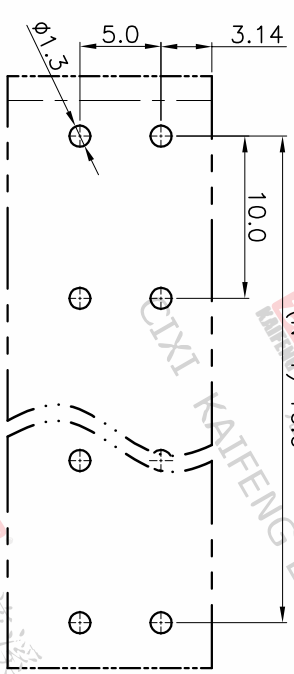
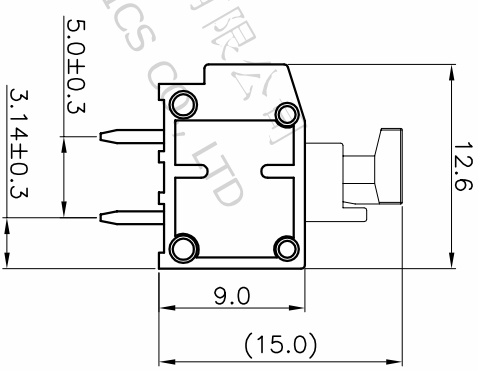
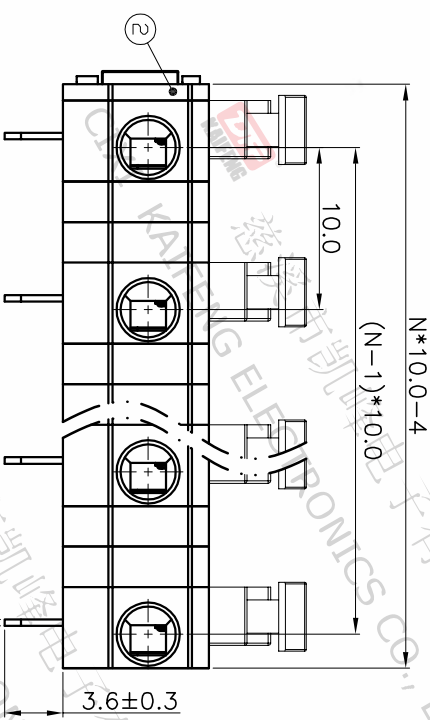
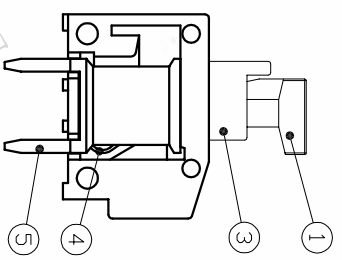
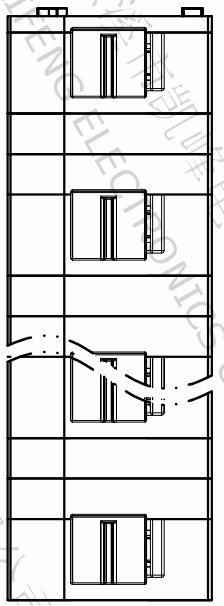


| REV. | DESCRIPTION | DATE       | DRAFTER | APPROVER |
|------|-------------|------------|---------|----------|
| A1   | DWG.REL     | 2020.05.27 | DENG    | JIN      |



P.C.B. LAYOUT

| Pitch range | Nominal dimension range | PROJECTION |
|-------------|-------------------------|------------|
| >0          | >30                     | 0.1/10     |
| ~6          | ~60                     | ~          |
| ~10         | ~100                    | ~          |
| ~24         | ~150                    | ~          |
| ±0.15       | ±0.30                   | ±2°        |
| ±0.20       | ±0.50                   | ±2°        |
| ±0.30       | ±0.70                   | ±2°        |
| ±1.00       | ±1.30                   | ±2°        |

| DRAWING TYPE | CUSTOMER DRAWING |
|--------------|------------------|
| SCALE        | 1:1              |
| SHEET        | 1 OF 1           |
| DRAWING NO.  | W15000262        |

- Material
  - ①Button : PA66, UL94V-0
  - ②Cover : PA66, UL94V-0
  - ③Housing : PA66, UL94V-0
  - ④Reed : Stainless steel
  - ⑤Pin header : Copper alloy, Tin plated
- Electrical
  - UL IEC
  - Rated voltage : 300V 750V
  - Rated current : 5A 15A
  - Contact resistance : 20mΩ(Max)
  - Insulation resistance : 500MΩ/DC500V
  - Withstanding Voltage : AC2000V/1min
  - Wire range : 20-18AWG 1.5mm<sup>2</sup>
- Mechanical
  - Operating temperature: -40℃~+105℃
  - Soldering temperature: 250℃±5/5sec
  - Strip length: 8-9mm
- RoHS compliance

HOW TO ORDER  
 KF124B-10.0-XXP-1 X-XXXXX

MODEL Pitch:mm  
 No. of poles:  
 2~24P

Color: Request  
 G:Green R:Red  
 K:Black W:White  
 O:Orange B:Blue  
 GR:Gray

1:Single Pitch  
 2:Double Pitch

TITLE  
 KF124B-10.0-XXP-1X

SHEET SIZE  
 A4

SERIES  
 KF124

**DF** 慈溪市凯峰电子有限公司  
 CIXI KAIFENG ELECTRONICS CO.,LTD