

REV.	DESCRIPTION	DATE	DRAWN	APPROVED
A1	DWG.REL	2016/10/7	FANG	YANG

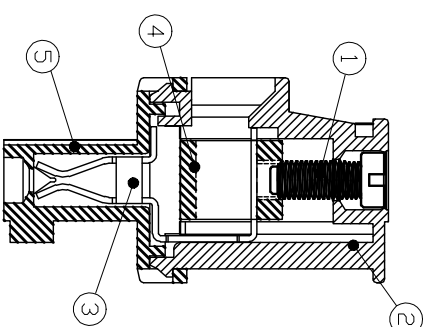
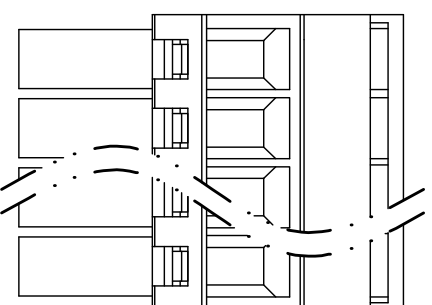
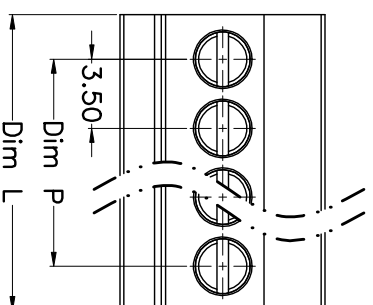
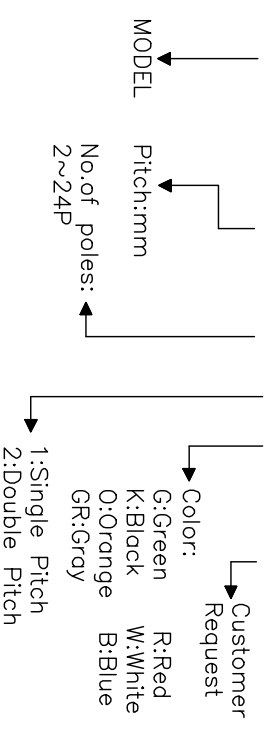
- Material
 - ①Screws : M2.0 steel, Zinc plated,“-”slot type
 - ②Housing : PA66, UL94V-0
 - ③Contact : Phosphor bronze, Ni plated
 - ④Clamp : Brass, Ni plated
 - ⑤Cover : PA66, UL94V-0

- Electrical
 - UL IEC
 - Rated voltage : 300V 250V
 - Rated current : 8A 7A
 - Insulation resistance: 500MΩ/DC500V
 - Withstanding Voltage : AC1500V/1min
 - Wire range: 28-16AWG 0.5-1.5mm²

- Mechanical
 - Operating temperature:-40°C~+105°C
 - Soldering temperature:250°C±5/5sec
 - Torque: 0.2N.m (1.77Lb.in)
 - Strip length: 6-7mm

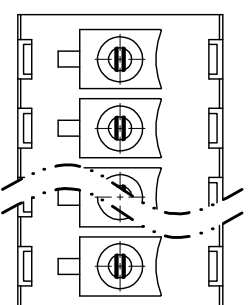
HOW TO ORDER

KF12EKB-3.5-XXP-1 X-XXXXXX



N=Number of Poles
Dim P=(N-1)X3.50
Dim L=Nx3.50+1

Poles	Dim P	Dim L
2-6P	±0.10	±0.15
7-12P	±0.20	±0.20
13-18P	±0.25	±0.30
19-24P	±0.30	±0.40



GENERAL TOLERANCE	ANGLE TOLERANCE
X. ±0.5	X. ±5'
.X ±0.3	.X ±3'
.XX ±0.1	.XX ±1'

DRAWING TYPE	CUSTOMER	SHEET	1 OF 1
SCALE	1:1		

DRAWING NO.	XP0012016-xxxx
-------------	----------------

PROJECTION	TITLE
UNITS mm	KF12EKB-3.50-XXP
SHEET SIZE A4	SERIES KF12EKB

DF 慈溪市凯峰电子有限公司
KAIFENG ELECTRONIC CIXI KAIFENG ELECTRONIC CO.,LTD