

REV.	DESCRIPTION	DATE	DRAWN	APPROVED
A1	DWG.REL	2016/10/7	FANG	YANG

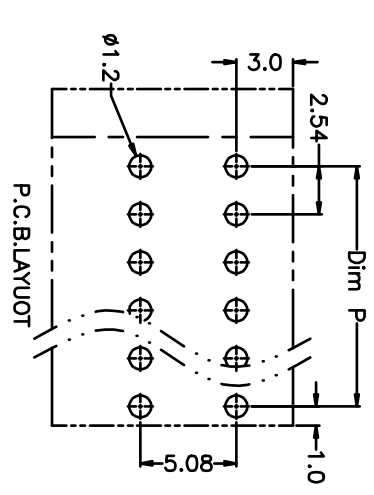
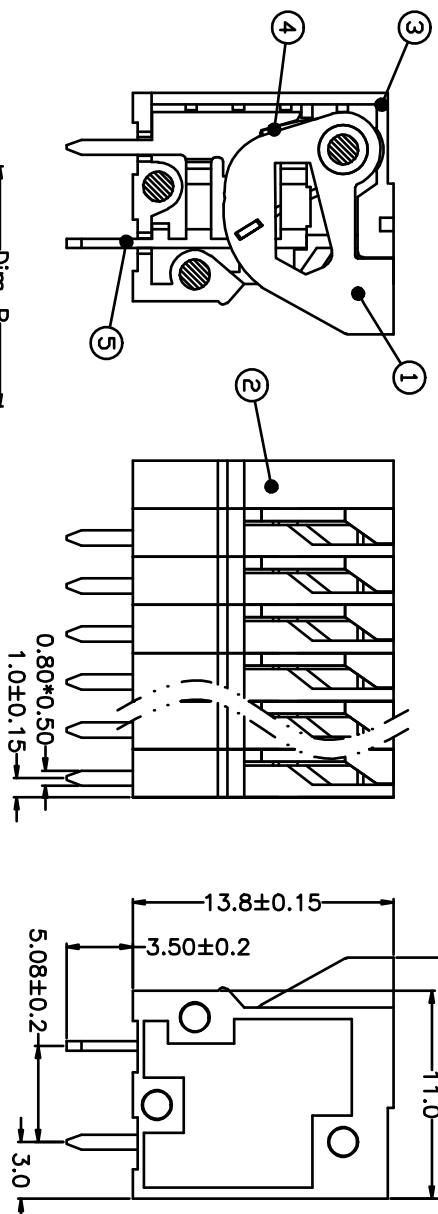
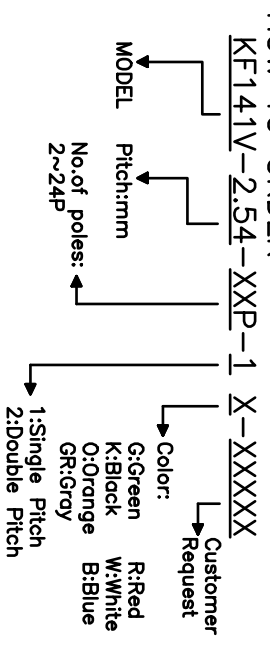
- Material
 - ØButton : PA66, UL94V-0
 - ØCover : PA66, UL94V-0
 - ØHousing : PA66, UL94V-0
 - ØReed : Stainless steel
 - ØPin header : Brass, Tin plated

- Electrical

UL	IEC
Rated voltage : 150V	130V
Rated current : 5A	6A
Insulation resistance: 500MΩ/DC500V	
Withstanding Voltage : AC1250V/1min	
Wire range: 24-18AWG	1.0mm ²

- Mechanical
 - Operating temperature: -40°C ~ +105°C
 - Soldering temperature: 250°C ± 5/5sec
 - Strip length: 11mm

HOW TO ORDER



N=Number of Poles
Dim P=(N-1)×2.54
Dim L=N×2.54

Poles	Dim P	Dim L
2-6P	±0.10	±0.15
7-12P	±0.20	±0.20
13-18P	±0.25	±0.30
19-24P	±0.30	±0.40

GENERAL TOLERANCE	ANGLE TOLERANCE
X: ±0.5	X: ±5°
.X: ±0.3	.X: ±3°
.XX: ±0.1	.XX: ±1°

DRAWING TYPE	CUSTOMER	SHEET	1 OF 1
SCALE	1:1	SHEET	1 OF 1
DRAWING NO.	XP0012016-xxxx		

PROJECTION	TITLE
UNITS: mm	KF141V-2.54-XXP
SHEET SIZE: A4	SERIES: KF141

凯峰电子有限公司
CIXI KAIFENG ELECTRONIC CO.,LTD