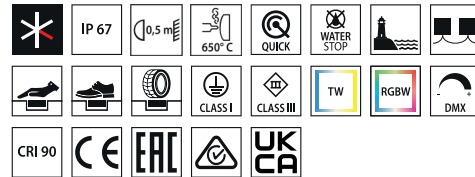


CRICKET+ 10 MARINE



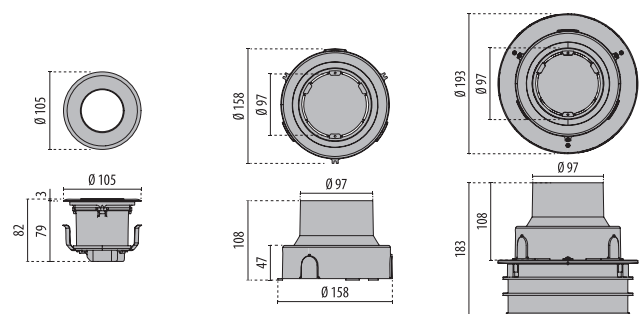
BR-10 / Natural brass / Glossy



Scan the QR-code for the latest information

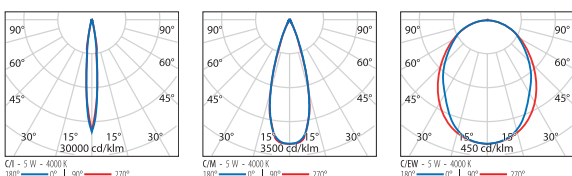
Series of reduced depth in-ground luminaires, comprising:

- Black painted anodised die-cast aluminium housing
- High-transparency polycarbonate optics
- Anti-ageing custom moulded silicone sealing gasket(s) with resilient elastic return capacity
- Extra clear, toughened, flat glass diffuser
- Extra-clear toughened flat safety glass with acid-etched finish (C/EW versions)
- Closing ring in marine brass with polished finish ISO 9223 (CX)
- Mains connection through waterproof connection system (WATER-STOP)
- Technopolymer recess box to be ordered separately
- Stainless steel locking hardware
- Floor mounted luminaires are usually subject to harsh conditions. For proper use and safety, they must be correctly installed by qualified personnel and according to the manual instructions
- Do not install luminaires in sunken areas
- RGBW and Tunable White versions to be powered with SELV drivers 48V DC, available as accessories to be ordered separately. Colour management through DMX interface
- DMX signal generator for RGBW and Tunable White versions to be ordered separately



CRICKET+ 10 MARINE CRICKET+ 10 MARINE (3109879) CRICKET+ 10 MARINE RGBW / TW (3113571)

Identifying and classifying our optics



CRICKET+ 10 C/I MARINE

IP67 - IK08 - 650 °C

LUMINAIRE WATTAGE [W]	CLASS	ENEC	CRI	KELVIN	OPTIC	BEAM ANGLE	LIGHTSOURCE LUMEN OUTPUT [lm]	LUMINAIRE LUMEN OUTPUT [lm]	COLOUR / FINISH	PART NUMBER	UKCA
Power LED 220-240 V 50/60 Hz											
5	I	-	90	2700	C/I	-	355	363		3111890	✓
5	I	-	80	4000	C/I	-	475	446		3109830	✓
5	I	-	80	3000	C/I	-	440	415		3109831	✓



CRICKET+ 10 C/M MARINE

IP67 - IK08 - 650 °C

LUMINAIRE WATTAGE [W]	CLASS	ENEC	CRI	KELVIN	OPTIC	BEAM ANGLE	LIGHTSOURCE LUMEN OUTPUT [lm]	LUMINAIRE LUMEN OUTPUT [lm]	COLOUR / FINISH	PART NUMBER	UKCA
Power LED 220-240 V 50/60 Hz											
5	I	-	90	2700	C/M	-	355	355,5		3111889	✓
5	I	-	80	4000	C/M	-	475	436		3109828	✓
5	I	-	80	3000	C/M	-	440	406		3109829	✓



CRICKET+ 10 RGBW C/M MARINE

IP67 - IK08 - 650 °C

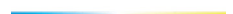
LUMINAIRE WATTAGE [W]	CLASS	ENEC	CRI	KELVIN	OPTIC	BEAM ANGLE	LIGHTSOURCE LUMEN OUTPUT [lm]	LUMINAIRE LUMEN OUTPUT [lm]	COLOUR / FINISH	PART NUMBER	UKCA
RGBW LED											
3.5	III	-	80	rgbw 4000	C/M	30°	130	100		3112275	✓



CRICKET+ 10 TW C/M MARINE

IP67 - IK08 - 650 °C

LUMINAIRE WATTAGE [W]	CLASS	ENEC	CRI	KELVIN	OPTIC	BEAM ANGLE	LIGHTSOURCE LUMEN OUTPUT [lm]	LUMINAIRE LUMEN OUTPUT [lm]	COLOUR / FINISH	PART NUMBER	UKCA
TunableWhite Power LED											
6	III	-	80	tw 2700-5700	C/M	30°	440	310		3112282	✓



CRICKET+ 10 C/EW MARINE

IP67 - IK08 - 650 °C

LUMINAIRE WATTAGE [W]	CLASS	ENEC	CRI	KELVIN	OPTIC	BEAM ANGLE	LIGHTSOURCE LUMEN OUTPUT [lm]	LUMINAIRE LUMEN OUTPUT [lm]	COLOUR / FINISH	PART NUMBER	UKCA
Power LED 220-240 V 50/60 Hz											
5	I	-	90	2700	C/EW	-	355	106		3111888	✓
5	I	-	80	4000	C/EW	-	475	142		3109826	✓
5	I	-	80	3000	C/EW	-	440	132		3109827	✓



Control gear

DESCRIPTION	COLOR	PART NUMBER	UKCA
CRICKET+ 10 MARINE RGBW / CRICKET+ 10 MARINE TW			
Driver - CV 100 W - 48 V kit		310950	✓
Driver - CV 500 W - 48 V kit		310951	✓
Controller DMX touch white		3117844	✓
Controller DMX touch black		3117845	✓
USB key EcoEcco		3115612	✓



310950



310951



3117844



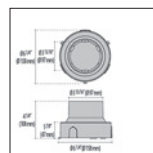
3117845



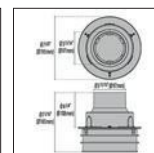
3115612

Mandatory accessories

DESCRIPTION	COLOR	PART NUMBER	UKCA
CRICKET+ 10 MARINE			
Recessed box CRICKET+ 10		3109879	✓
CRICKET+ 10 MARINE RGBW / CRICKET+ 10 MARINE TW			
Recessed box CRICKET+ 10 RGBW/TW		3113571	✓



3109879



3113571