





PA258 - 7.5

Rising clamp terminal block

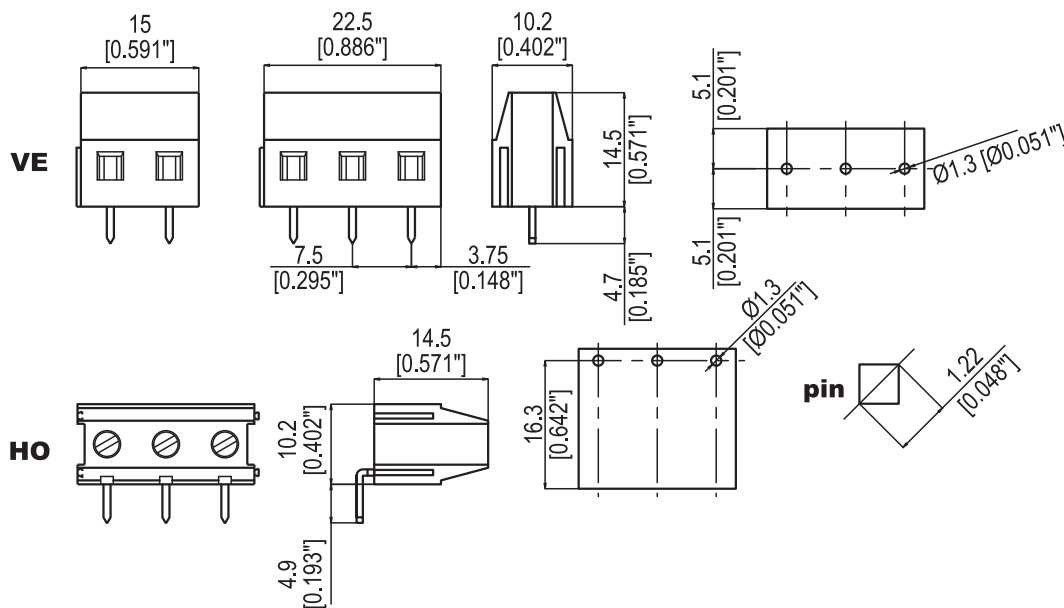


Technical data

	IEC	UL / CSA	
Pitch	7.5 mm	0.29"	
Poles	2, 3		
Versions	VE vertical - HO horizontal		
Ratings	450V - 24A	300V - 15A	
Wire size	2.5 sqmm	26 ÷ 12 AWG	
Working Temperature	-5 ÷ 85 °C (short time 115 °C)	23 ÷ 284 °F	
Plastic Material	Green Polyamide PA6.8, UL94-VO, CTI600V, GWT960 °C		
Metal Parts	Soldering pin made in tin plated brass; Cage insert made in nickel plated brass; M3 Screw made in zinc plated steel		
Screw Torque	0.5 Nm	7 lb-in	
Accessories			
Approvals	File Nr.	Ratings (sqmm/AWG - V - A - T)	Standard References
	EG 277	2.5sqmm - 450V - 24A - 85 °C	EN60998-1; EN60998-2-1
	E76048 vol. 1 sec. 7	26 ÷ 12 AWG - 300V - 15A - 140 °C	UL1059; CSA C22-2 N.158-1987

Dimensional drawing

I dati tecnici possono essere modificati senza preavviso. / The technical data can be subject to changes without notice.





PA258 - 7.5

Packaging

Type	P-N	Pack
PA 258/7.5/2VE	00114902	100
PA 258/7.5/3VE	00114903	100
PA 258/7.5/2HO	00114952	100
PA 258/7.5/3HO	00114953	100

Pallets

Europallets