

Connection

INTERRUTTORI A BASCULA E PULSANTI

Rocker switches and push buttons

Interrupteurs à bascule et poussoirs



INTERRUTTORI 16A
16A switches | Interrupteurs 16A



INTERRUTTORI 10A
10A switches | Interrupteurs 10A



INTERRUTTORI LEVA LUMINOSI
Luminous toggle switches | Interrupteurs à levier lumineux



INTERRUTTORI TONDI
Round switches | Interrupteurs ronds



INDICATORI LUMINOSI
Luminous indicators | Interrupteurs lumineux



PULSANTI METALLICI
Metal push-buttons | Poussoirs métalliques



PULSANTI LUMINOSI
Luminous push-buttons | Poussoirs lumineux



PRODUTTORI | Manufacturers | Producteurs

EDK

Connection

INTERRUTTORI A BASCULA E PULSANTI

Rocker switches and push buttons

Interrupteurs à bascule et poussoirs

INFORMAZIONI GENERALI

General Information

Informations Générales



APPLICAZIONI

Applications | Applications

- **Piccoli elettrodomestici**
Small households | Petits appareils électroménagers
- **Strumenti**
Equipments | Equipements
- **Elettromedicali**
Medical equipments | Equipements médicaux

VANTAGGI

Advantages | Avantages

- **Pronta consegna**
Prompt delivery | Livraison sur stock
- **Basso costo**
Low cost | Prix bas
- **Ampia gamma**
Wide range | Large gamme
- **Omologazioni**
Approvals | Homologations





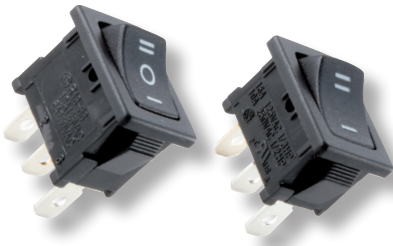
STRUTTURA DEL CODICE SERIE K

Code structure K serie | Structure du code série K

Serie Range Série	Tipo Type Type	Famiglia Family Famille	Contatto Contact Contact	Schema Scheme Schéma	Luminoso Bright Lumineux	Colore corpo Body colour Couleur du corps	Colore bascula Rocker colour Coul. bascule
K	B	066	48	A	0	B	B
K	B = BASCULA P = PULSANTE L = LEVA I = INDICATORE	066 402 033 405 090 502 135 511 095 507 112 527 092 508 244 523 245	28 = a saldare 48 = faston 4,8 mm 63 = faston 6,3 mm	A = on - off B = on - off - luminoso C = on - mom D = on - off - on F = off - mom H = on - off - mom I = mom - off - mom	0 = non luminoso 1 = neon 110V 2 = neon 220V 3 = filamento 12V 4 = filamento 24V 5 = led 6 = led	B = nero R = rosso G = verde Y = giallo M = metallo	B = nero R = rosso G = verde W = bianco Y = giallo

INTERRUTTORI A BASCULA E PULSANTI

Rocker switches and push-buttons | *Interrupteurs à bascule et poussoirs*



INTERRUTTORI UNIPOLARI Single pole switches | *Interrupteurs unipolaires*

Tensione
125 V-250 V AC

Corrente
16 A - 10 A

Contatti
Ottone argentato
faston 4,8 mm

Corpo
Nylon UL 94V-2

Temperatura
85°C

Voltage
125V-250V AC

Current
16A - 10A

Contacts
Silver-plated brass
4,8 mm faston

Body
Nylon UL 94V-2

Temperature
85°C

Tension
125 V-250 V AC

Courant
16 A - 10 A

Contacts
Laiton argenté
faston 4,8 mm

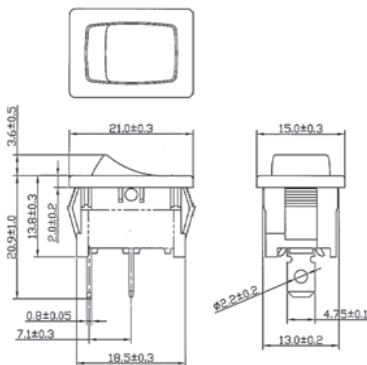
Corps
Nylon UL 94V-2

Température
85°C



Codice Code Code	Circuito Circuit Circuit	Colore bascula Rocker colour Couleur bascule
KB 066 48 A0BB	on - off	■
KB 066 48 C0BB	on - on	■
KB 066 48 D0BB	on off on	■
KB 066 48 F0BB	off - mom	■
KB 066 48 G0BB	on - mom	■
KB 066 48 H0BB	on off mom	■
KB 066 48 I0BB	mom off mom	■

Dimensioni | Dimensions | Dimensions



Foratura del pannello
Cut-out - Découpe du panneau

	X	Y
0.75-1.25	19.2±0.1	13.0±0.1
1.25-2	19.4±0.1	13.0±0.1
2-3	19.8±0.1	13.0±0.1

400 pz
400 pcs
400 pces

pronta
in stock
en stock



INTERRUTTORI UNIPOLARI Single pole switches | *Interrupteurs unipolaires*

Tensione
125 V-250 V AC

Corrente
16 A - 10 A

Contatti
Ottone argentato
faston 4,8 mm

Corpo
Nylon UL 94V-2

Temperatura
85°C

Voltage
125 V-250 V AC

Current
16 A - 10 A

Contacts
Silver-plated brass
4,8 mm faston

Body
Nylon UL 94V-2

Temperature
85°C

Tension
125 V-250 V AC

Courant
16 A - 10 A

Contacts
Laiton argenté
faston 4,8 mm

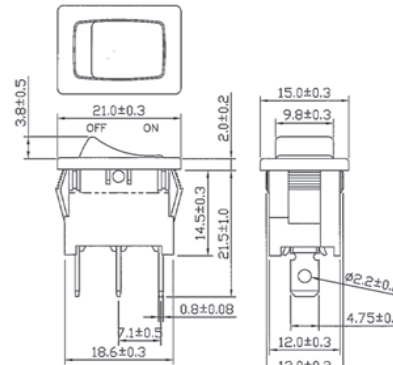
Corps
Nylon UL 94V-2

Température
85°C



Codice Code Code	Circuito Circuit Circuit	Colore bascula Rocker colour Couleur bascule
Colorati non luminoso Coloured non illuminated Colorés non lumineux		
KB 066 48 A0BW	on - off	□
KB 066 48 A0BR	on - off	■
Luminoso Luminous Lumineux		
KB 066 48 B2BR	on - off	■ neon
KB 066 48 B2BG	on - off	■ neon
KB 066 48 B2BY	on - off	■ neon

Dimensioni | Dimensions | Dimensions



Foratura del pannello
Cut-out - Découpe du panneau

	X	Y
0.75-1.25	19.2±0.1	13.0±0.1
1.25-2	19.4±0.1	13.0±0.1
2-3	19.8±0.1	13.0±0.1

400 pz
400 pcs
400 pces

pronta
in stock
en stock

luminoso blu su richiesta
blue luminous upon request
lumineux bleu sur demande

INTERRUTTORI A BASCULA E PULSANTI

Rocker switches and push-buttons | *Interrupteurs à bascule et poussoirs*



INTERRUTTORI BIPOLARI Double pole switches | *Interrupteurs bipolaires*

Tensione 250 V	Voltage 250 V	Tension 250 V
Corrente 10 A resistivi	Current 10 A resistive	Courant 10 A résistifs
Contatti Ottone argentato faston 4,8 mm	Contacts Silver-plated brass faston 4,8 mm	Contacts Laiton argenté faston 4,8 mm
Corpo Policarbonato nero	Body Black polycarbonate	Corps Polycarbonate noir
Cicli di lavoro 300.000	Operating cycles 300.000	Durée de vie 300.000 cycles
Temperatura 125°C	Temperature 125°C	Température 125°C

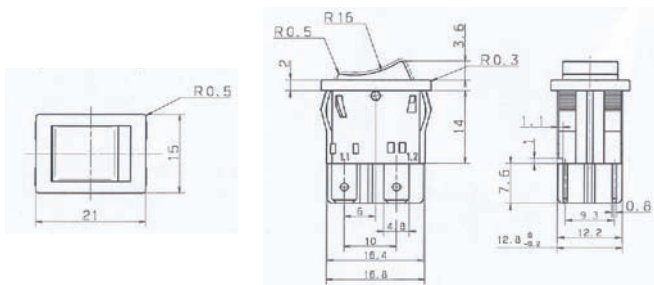


Codice Code Code	Circuito Circuit Circuit	Colore bascula Rocker colour Couleur bascule
I3910	on - off	■
I3913	on - off	■ neon
I3915	on - off	■ neon

Accessorio | Accessory | Accessoire

PG3901 calotta di protezione IP55/PG3901 protection cover IP55/PG3901 capot de protection IP55

Dimensioni | Dimensions | Dimensions

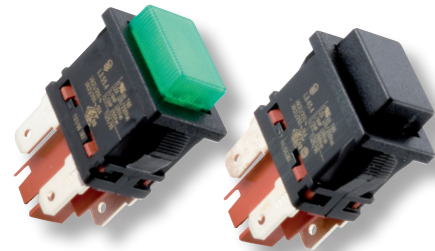


grado di protezione 40 IP
sealing IP 40
indice de protection IP 40

cava pannello 19x13 mm
panel cut-out 19x13 mm
découpe du panneau 19x13 mm

100 pz
100 pcs
100 pces

pronta
in stock
en stock



INTERRUTTORI / PULSANTI BIPOLARI Double pole switches/Momentary switches | *Interrupteurs/poussoirs bipolaires*

Tensione 250 V	Voltage 250 V	Tension 250 V
Corrente 16 A resistivi/6 A induttivi	Current 16 A resistive/6 A inductive	Courant 16 A résistifs/6 A inductifs
Contatti Ottone argentato faston 4,8 mm	Contacts Silver-plated brass 4,8 mm faston	Contacts Laiton argenté faston 4,8 mm
Corpo Policarbonato nero	Body Black polycarbonate	Corps Polycarbonate noir
Cicli di lavoro 10.000	Operating cycles 10.000	Durée de vie 10.000 cycles
Temperatura 125°C	Temperature 125°C	Température 125°C

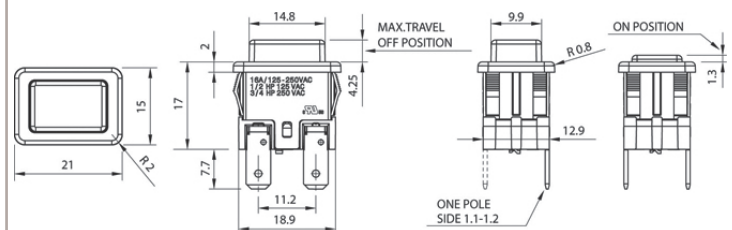


Codice Code Code	Circuito Circuit Circuit	Colore bascula Rocker colour Couleur bascule
I3950	on - off	■
I3953	on - of	■ neon
I3955	on - off	■ neon
I3952	on - off	■ neon
I3921	on - mom	■

Accessorio | Accessory | Accessoire

PG3900 calotta di protezione IP64/protection cover IP64/capot de protection IP64

Dimensioni | Dimensions | Dimensions



grado di protezione 40 IP
sealing IP 40
indice de protection IP 40

cava pannello 19x13 mm
panel cut-out 19x13 mm
découpe du panneau 19x13 mm

100 pz
100 pcs
100 pces

pronta
in stock
en stock

INTERRUTTORI A BASCULA E PULSANTI

Rocketr switches and push-buttons | Interrupteurs à bascule et poussoirs



INTERRUTTORI BIPOLARI Double pole switches | Interrupteurs bipolaires

Tensione
125 V - 250 V AC

Corrente
10 A - 6 A

Contatti
Ottone argentato
faston 4,8 mm

Corpo
Nylon UL94V-2

Temperatura
85°C

Norme riferimento
UL 1054 EN61058

Voltage
125 V - 250 V AC

Current
10 A - 6 A

Contacts
Silver-plated brass
4,8 mm faston

Body
Nylon UL94V-2

Temperature
85°C

Standards
UL 1054 EN61058

Tension
125 V - 250 V AC

Courant
10 A - 6 A

Contacts
Aiton argenté
faston 4,8 mm

Corps
Nylon UL94V-2

Température
85°C

Normes
UL 1054 EN61058



Codice Code Code	Circuito Circuit Circuit	Colore bascula Rocker colour Couleur bascule
------------------------	--------------------------------	--

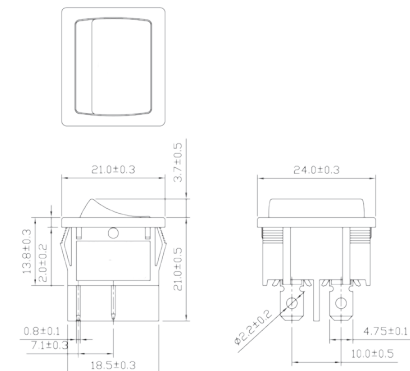
Non luminoso | Non illuminated | Non lumineux

KB 033 48 A0BB	on - off	■
KB 033 48 C0BB	on - on	■
KB 033 48 D0BB	on off on	■
KB 033 48 IOBB	mom off mom	■
KB 033 48 A0BR	on - off	■
KB 033 48 C0BR	on - on	■
KB 033 48 D0BR	on off on	■
KB 033 48 IOBR	mom off mom	■

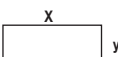
Luminoso | Luminous | Lumineux

KB 033 48 B2BR	on - off	■ neon
KB 033 48 B2BG	on - off	■ neon
KB 033 48 B2BY	on - off	■ neon

Dimensioni | Dimensions | Dimensions



Foratura del pannello Cut-out - Découpe du panneau



	X	Y
0.75-1.25	19.4-0.1	22.2±0.1
1.25-2	19.6-0.1	22.2±0.1
2-3	20.2-0.1	22.2±0.1

200 pz
200 pcs
200 pces

pronta
in stock
en stock



luminoso blu su richiesta
blue luminous upon request
lumineux bleu sur demande



INTERRUTTORI BIPOLARI Double pole switches | Interrupteurs bipolaires

Tensione
125 V - 250 V AC

Corrente
16 A - 10 A

Contatti
Ottone argentato
faston 6,3 mm

Corpo
Nylon UL94V-2

Temperatura
85°C

Norme riferimento
UL 1054 EN61058

Voltage
125 V - 250 V AC

Current
16 A - 10 A

Contacts
Silver-plated brass
6,3 mm faston

Body
Nylon UL94V-2

Temperature
85°C

Standards
UL 1054 EN61058

Tension
125 V - 250 V AC

Courant
16 A - 10 A

Contacts
Laiton argenté
faston 6,3 mm

Corps
Nylon UL94V-2

Température
85°C

Normes
UL 1054 EN61058



Codice Code Code	Circuito Circuit Circuit	Colore bascula Rocker colour Couleur bascule
------------------------	--------------------------------	--

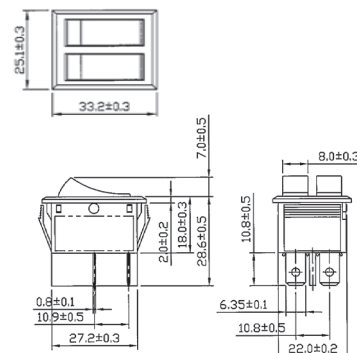
Non luminoso | Non illuminated | Non lumineux

KB 090 63 A0BB	on - off	■
KB 090 63 C0BB	on - on	■

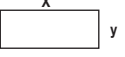
Luminoso | Luminous | Lumineux

KB 090 63 B2BR	on - off	■ neon
KB 090 63 B2BG	on - off	■ neon
KB 090 63 B2BY	on - off	■ neon

Dimensioni | Dimensions | Dimensions



Foratura del pannello Cut-out - Découpe du panneau



	X	Y
0.75-1.25	30.2-0.1	22.2±0.1
1.25-2	30.4-0.1	22.2±0.1
2-3	30.8-0.1	22.2±0.1

100 pz
100 pcs
100 pces

30 giorni
30 days
30 jours



luminoso blu su richiesta
blue luminous upon request
lumineux bleu sur demande

INTERRUTTORI A BASCULA E PULSANTI

Rocker switches and push-buttons | *Interrupteurs à bascule et poussoirs*



INTERRUTTORI UNIPOLARI Single pole switches | *Interrupteurs unipolaires*

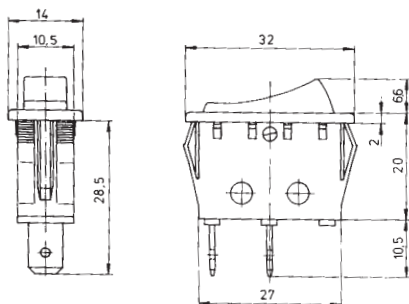
Tensione 250 V	Voltage 250 V	Tension 250 V
Corrente 16 A resistivi/6 A induttivi	Current 16 A resistive/6 A inductive	Courant 16 A résistifs/6 A inductifs
Contatti Ottone argentato faston 6,3 mm	Contacts Silver-plated brass 6,3 mm faston	Contacts Laiton argenté faston 6,3 mm
Corpo Poliamide 66 nero	Body Black 66 polyamide	Corps Polyamide 66 noir
Cicli di lavoro 300.000	Operating cycles 300.000	Durée de vie 300.000 cycles
Temperatura 125°C	Temperature 125°C	Température 125°C
Norme riferimento UL1054 EN 61058	Standards UL1054 EN 61058	Normes UL1054 EN 61058



Codice Code Code	Circuito Circuit Circuit	Colore bascula Rocker colour Couleur bascule
I4600	on - on	■
I4613	on - off	■ neon
I4615	on - off	■ neon
I4612	on - off	■ neon
I4620	on - off	■
• I4621	on - mom	■
I4630	on off on	■

Accessorio | Accessory | Accessoire
PG4600 calotta di protezione IP54/IP54 protection cover PG4600/PG4600 capot de protection IP54

Dimensioni | Dimensions | Dimensions



- grado di protezione 40 IP
sealing IP 40
indice de protection IP 40
- cava pannello 30x11 mm
panel cut-out 30x11 mm
découpe du panneau 30x11 mm
- corrente max 10 A
max current 10 A
courant max 10 A
- 100 pz
100 pcs
100 pces
- pronta in stock
en stock



INTERRUTTORI BIPOLARI Double pole switches | *Interrupteurs bipolaires*

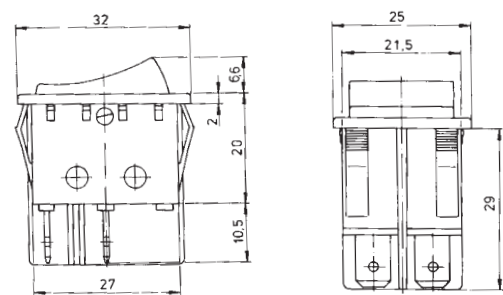
Tensione 250 V	Voltage 250 V	Tension 250 V
Corrente 16 A resistivi/6 A induttivi	Current 16 A resistive/6 A inductive	Courant 16 A résistifs/6 A inductifs
Contatti Ottone argentato faston 6,3 mm	Contacts Silver-plated brass 6,3 mm faston	Contacts Laiton argenté faston 6,3 mm
Corpo Poliamide 66 nero	Body Black 66 polyamide	Corps Polyamide 66 noir
Cicli di lavoro 300.000	Operating cycles 300.000	Durée de vie 300.000 cycles
Temperatura 125°C	Temperature 125°C	Température 125°C
Norme riferimento UL1054 EN 61058	Standards UL1054 EN 61058	Normes UL1054 EN 61058



Codice Code Code	Circuito Circuit Circuit	Colore bascula Rocker colour Couleur bascule
I4700	on - on	■
I4713	on - off	■ neon
I4715	on - off	■ neon
I4712	on - off	■ neon
I4720	on - off	■
• I4721	off - mom	■
I4730	on off on	■

Accessorio | Accessory | Accessoire
PG4700 calotta di protezione IP54/IP54 protection cover PG4700/PG4700 capot de protection IP54

Dimensioni | Dimensions | Dimensions



- grado di protezione 40 IP
sealing IP 40
indice de protection IP 40
- cava pannello 30x22 mm
panel cut-out 30x22 mm
découpe du panneau 30x22 mm
- corrente max 10 A
max current 10 A
courant max 10 A
- 100 pz
100 pcs
100 pces
- pronta in stock
en stock

INTERRUTTORI A BASCULA E PULSANTI

Rocker switches and push-buttons | *Interrupteurs à bascule et poussoirs*



INTERRUTTORI UNIPOLARI Single pole switches | *Interrupteurs unipolaires*

Tensione
125 V - 250 V AC

Corrente
16 A - 10 A

Contatti
Ottone argentato
faston 4,8 mm

Corpo
Nylon caricato vetro
UL94 V-2

Temperatura
85°C

Norme riferimento
UL 1054 EN61058

Voltage
125 V - 250 V AC

Current
16 A - 10 A

Contacts
Silver-plated brass
4,8 mm faston

Body
Glass filled nylon
UL94 V-2

Temperature
85°C

Standards
UL 1054 EN61058

Tension
125 V - 250 V AC

Courant
16 A - 10 A

Contacts
Laiton argenté
faston 4,8 mm

Corps
Nylon chargé verre
UL94 V-2

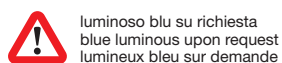
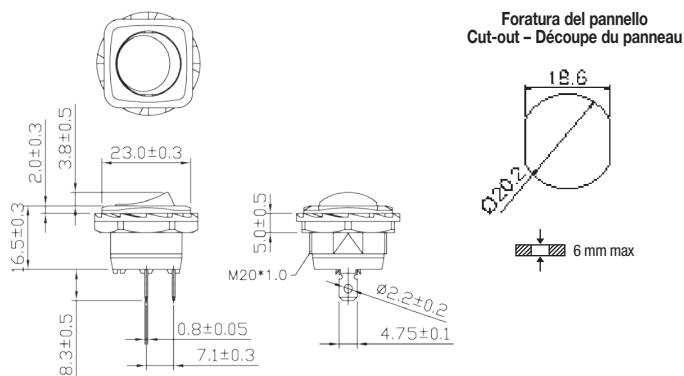
Température
85°C

Normes
UL 1054 EN61058



Codice Code Code	Circuito Circuit Circuit	Colore bascula Rocker colour Couleur bascule
Non luminoso Non illuminated Non lumineux		
KB 135 48 A0BB	on - off	■
KB 135 48 C0BB	on - on	■
KB 135 48 D0BB	on off on	■
KB 135 48 F0BB	off - mom	■
KB 135 48 I0BB	mom off mom	■
KB 135 48 A0BR	on - off	■
KB 135 48 C0BR	on - on	■
KB 135 48 D0BR	on off on	■
KB 135 48 F0BR	off - mom	■
KB 135 48 I0BR	mom off mom	■
Luminoso Luminous Lumineux		
KB 135 48 B2BR	on - off	■ neon
KB 135 48 B2BG	on - off	■ neon
KB 135 48 B2BY	on - off	■ neon

Dimensioni | Dimensions | Dimensions



INDICATORI LUMINOSI Luminous indicator | *Indicateurs lumineux*

Contatti
Ottone argentato
4,8 mm faston

Corpo
Nylon UL 94V-2

Resistenza di isolamento
100 MΩ (@ 500 DC)

Temperatura
-20°C +80°C

Norme riferimento
DIN VDE 0710 Teil 1:1969-03
DIN VDE 0710 Teil 1:1968-05

Contacts
Silver-plated brass
4,8 mm faston

Body
Nylon UL94V-2

Insulation resistance
100 MΩ (@ 500 DC)

Temperature
-20°C +80°C

Standards
DIN VDE 0710 Teil 1:1969-03
DIN VDE 0710 Teil 1:1968-05

Contacts
Laiton argenté faston
4,8 mm faston

Corps
Nylon UL94V-2

Résistance d'isolation
100 MΩ (@ 500 DC)

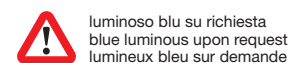
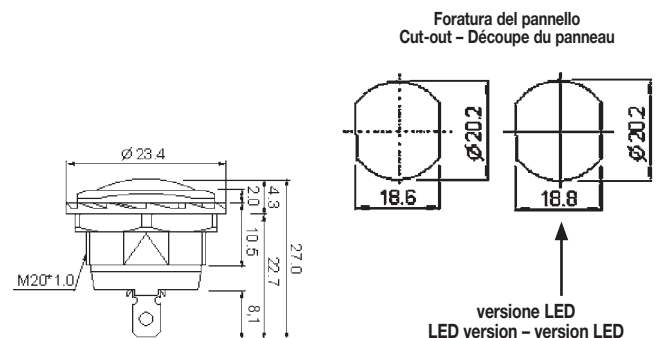
Température
-20°C +80°C

Normes
DIN VDE 0710 Teil 1:1969-03
DIN VDE 0710 Teil 1:1968-05



Codice Code Code	Caratteristiche Characteristic Caractéristiques	Tensione Voltage Tension	Colore Colour Couleur
KI 095 48 X2BR	neon	220 V AC	■
KI 095 48 X2BG	neon	220 V AC	■
KI 095 48 X2BY	neon	220 V AC	■
KI 095 48 X5BR	led	12 V DC	■
KI 095 48 X5BG	led	12 V DC	■
KI 095 48 X5BY	led	12 V DC	■
KI 095 48 X6BR	led	24 V DC	■
KI 095 48 X6BG	led	24 V DC	■
KI 095 48 X6BY	led	24 V DC	■
KI 095 48 X3BR	filamento/filament/filament	12 V DC	■
KI 095 48 X3BG	filamento/filament/filament	12 V DC	■
KI 095 48 X3BY	filamento/filament/filament	12 V DC	■
KI 095 48 X4BR	filamento/filament/filament	24 V DC	■
KI 095 48 X4BG	filamento/filament/filament	24 V DC	■
KI 095 48 X4BY	filamento/filament/filament	24 V DC	■

Dimensioni | Dimensions | Dimensions



INTERRUTTORI A BASCULA E PULSANTI

Rocker switches and push-buttons | *Interrupteurs à bascule et poussoirs*



INTERRUTTORI A LEVA UNIPOLARI

Single pole toggle switches | *Interrupteurs à levier unipolaires*

Tensione 125 V - 250 V AC	Voltage 125 V - 250 V AC	Tension 125 V - 250 V AC
Corrente 6 A - 3 A	Current 6 A - 3 A	Courant 6 A - 3 A
Contatti Ottone argentato a saldare	Contacts Silver-plated brass solder lugs	Contacts Laiton argenté à souder
Corpo Nylon UL94V-2	Body Nylon UL94V-2	Corps Nylon UL94V-2
Norme riferimento UL 1054	Standards UL 1054	Normes UL 1054



Codice Code Code	Circuito Circuit Circuit	Colore Colour Couleur
------------------------	--------------------------------	-----------------------------

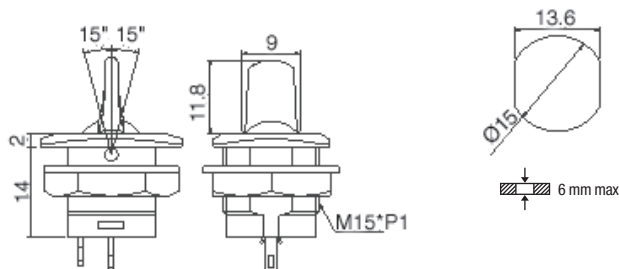
Non luminoso | Non illuminated | Non lumineux

KL 402 28 A0BB	on - off	■
KL 402 28 C0BB	on - on	■
KL 402 28 D0BB	on off on	■
KL 402 28 G0BB	on - mom	■
KL 402 28 H0BB	on off mom	■
KL 402 28 I0BB	mom off mom	■

Dimensioni | Dimensions | Dimensions

Foratura del pannello

Cut-out - Découpe du panneau



100 pz
100 pcs
100 pces



30 giorni
30 days
30 jours



INTERRUTTORI A LEVA UNIPOLARI/BIPOLARI

Single/double pole toggle switches | *Interrupteurs à levier unipolaires/bipolaires*

Tensione 125 V - 250 V AC	Voltage 125 V - 250 V AC	Tension 125 V - 250 V AC
Corrente 10 A - 6 A	Current 10 A - 6 A	Courant 10 A - 6 A
Contatti Ottone argentato a saldare	Contacts Silver-plated brass solder lugs	Contacts Laiton argenté à souder
Corpo Nylon UL94V-2	Body Nylon UL94V-2	Corps Nylon UL94V-2
Temperatura 85° C	Temperature 85° C	Température 85° C
Norme riferimento UL 1054	Standards UL 1054	Normes UL 1054



Codice Code Code	Circuito Circuit Circuit	Colore bascula Rocker colour Couleur bascule
------------------------	--------------------------------	--

Bipolare non luminoso | Double pole non illuminated | bipolaire non lumineux

KL 405 28 A0BB	on - off	■
KL 405 28 C0BB	on - on	■
KL 405 28 D0BB	on off on	■

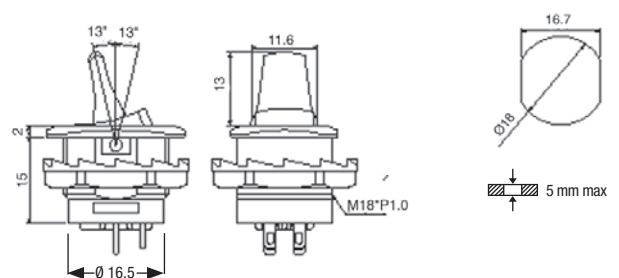
Unipolare luminoso | Single pole luminous | Unipolaire lumineux

KL 405 28 A5BR	on - off	■ led
KL 405 28 A5BG	on - off	■ led
KL 405 28 A5BY	on - off	■ led

Dimensioni | Dimensions | Dimensions

Foratura del pannello

Cut-out - Découpe du panneau



100 pz
100 pcs
100 pces



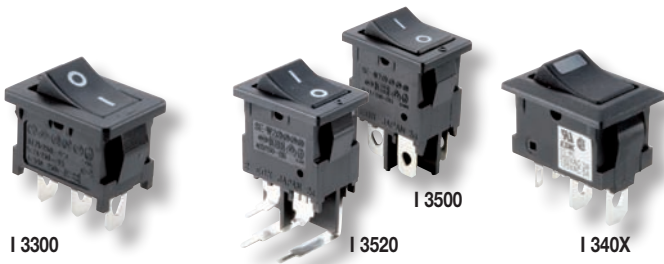
30 giorni
30 days
30 jours



luminoso blu su richiesta
blue luminous upon request
lumineux bleu sur demande

INTERRUTTORI A BILANCERE

Rocker switches | *Interrupteurs à bascule*



I 3300

I 3520

I 3500

I 340X

INTERRUTTORI UNIPOLARI / BIPOLARI

Single/double pole switches | *Interrupteurs unipolaires/bipolaires*

Tensione

250 V

Corrente

3A/4A

Norme riferimento

EN 61058 UL 1054

Voltage

250 V

Current

3A/4A

Standards

EN 61058 UL 1054

Tension

250 V

Courant

3A/4A

Normes

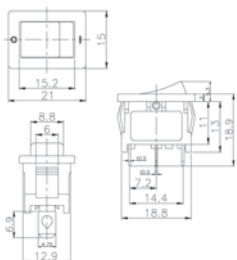
EN 61058 UL 1054



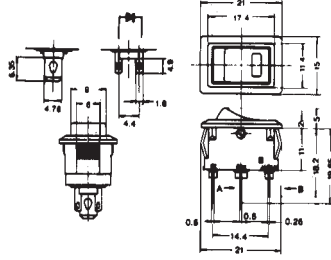
Codice Code	Corrente Current Courant	Circuito Circuit Circuit	N. poli N. poles N. pôles	Contatti Contacts Contacts	Colore bascula Rocker colour Couleur bascule	Led Led Led
Non luminoso Non illuminated Non lumineux						
I3300	3A	1-2	1	faston 4,8 mm	■	-
I3500	4A	0-1	2	faston 4,8 mm	■	-
I3510	4A	0-1	2	C.S. PCB C.I.	■	-
I3520	4A	0-1	2	C.S.90° PCB 90° C.I.90°	■	-
Luminoso Luminous Lumineux						
•I3401	3A	0-1	1	faston 4,8 mm	■	■
•I3402	3A	0-1	1	faston 4,8 mm	■	■
•I3403	3A	0-1	1	faston 4,8 mm	■	■

Dimensioni | Dimensions | Dimensions

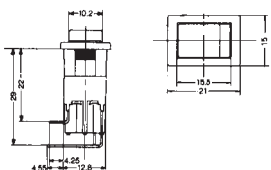
I 3300



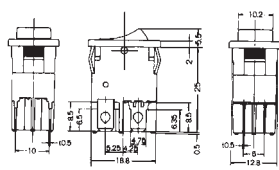
I 340X



I 3520



I 3500 - I 3510



100 pz
100 pcs
100 pcs



pronta
in stock
en stock

• Non omologato
Not approved
Non homologué



I 4900

I 4913

I 5015

INTERRUTTORI UNIPOLARI / BIPOLARI

Single/double pole switches | *Interrupteurs unipolaires/bipolaires*

Tensione

250 V

Corrente

16A

Corpo

Nylon 6.6 UL94V-2

Norme riferimento

CEE 24

Voltage

250 V

Current

16A

Body

Nylon 6.6 UL94V-2

Standards

CEE 24

Tension

250 V

Courant

16A

Corps

Nylon 6.6 UL94V-2

Normes

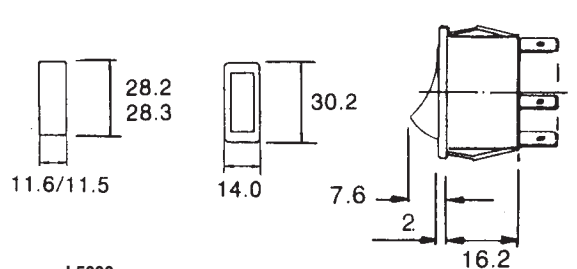
CEE 24



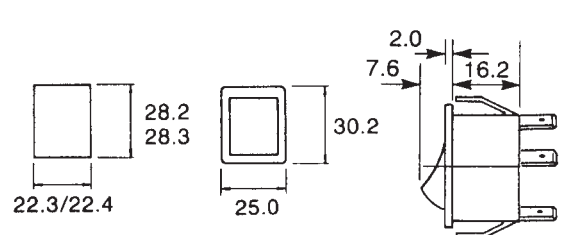
Codice Code	Circuito Circuit Circuit	N. poli N. poles N. pôles	Contatti Contacts Contacts	Colore bascula Rocker colour Couleur bascule
Non luminoso Non illuminated Non lumineux				
I4900	0-1	1	faston 6,3 mm	■
I5000	0-1	2	faston 6,3 mm	■
Luminoso Luminous Lumineux				
I4913	0-1	1	faston 6,3 mm	■
I4915	0-1	1	faston 6,3 mm	■
I5013	0-1	2	faston 6,3 mm	■
I5015	0-1	2	faston 6,3 mm	■

Dimensioni | Dimensions | Dimensions

I 4900



I 5000



INTERRUTTORI A BASCULA E PULSANTI

Rocker switches and push-buttons | *Interrupteurs à bascule et poussoirs*



PULSANTI UNIPOLARI

Single pole push buttons | *Poussoirs unipolaires*

Tensione	Voltage	Tension
125 V - 250 V AC	125 V - 250 V AC	125 V - 250 V AC
Corrente	Current	Courant
3 A - 1,5 A	3 A - 1,5 A	3 A - 1,5 A
Contatti	Contacts	Contacts
Ottone argentato a saldare	Silver-plated brass solder lugs	Laiton argenté à souder
Corpo	Body	Corps
Plastico: nylon UL94V-2 Metallico: ottone nichelato	Plastic: nylon UL94V-2 Metal: Nickel plated brass	Plastico: nylon UL94V-2 Métallique: laiton nickelé

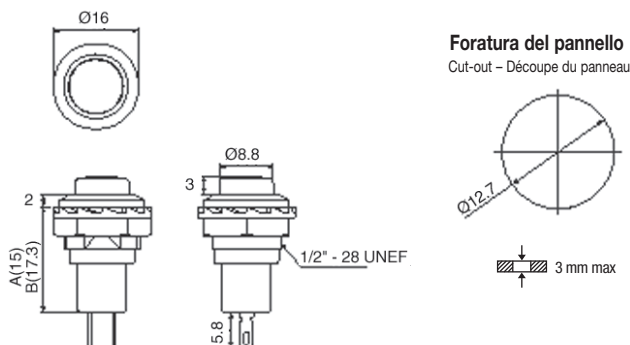


Codice	Circuito	Colore tasto
Code	Circuit	Actuator colour
Code	Circuit	Couleur bouton

Corpo plastico Plastic body Corps plastique			
KP 502 28 A0BB	off - mom	(n.o.)	■
KP 502 28 B0BB	on - mom	(n.c.)	■
KP 502 28 A0BR	off - mom	(n.o.)	■
KP 502 28 B0BR	on - mom	(n.c.)	■

Corpo metallico Metallic body Corps métallique			
KP 502 28 A0MB (ex B1383)	off - mom	(n.o.)	■
KP 502 28 B0MB (ex B1384)	on - mom	(n.c.)	■
KP 502 28 C0MB (ex B1385)	on - mom	(n.o.-n.c.)	■
KP 502 28 A0MR	off - mom	(n.o.)	■
KP 502 28 B0MR (ex B1384.3)	on - mom	(n.c.)	■
KP 502 28 C0MR	on - mom	(n.o.-n.c.)	■

Dimensioni | Dimensions | Dimensions



100 pz
100 pcs
100 pces

30 giorni
30 days
30 jours



PULSANTI/INTERRUTTORI UNIPOLARI

Single pole push buttons/switches | *Poussoirs/interrupteurs unipolaires*

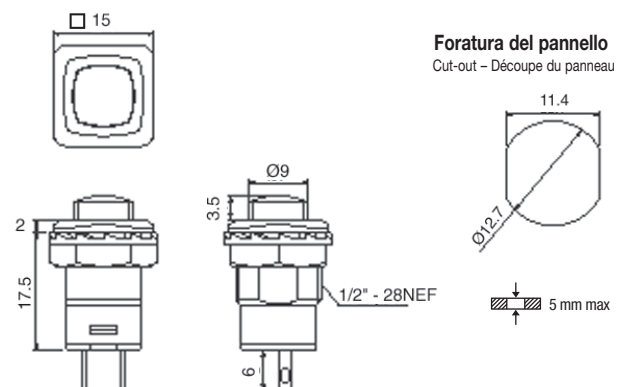
Tensione	Voltage	Tension
125 V - 250 V AC	125 V - 250 V AC	125 V - 250 V AC
Corrente	Current	Courant
3 A - 1,5 A	3 A - 1,5 A	3 A - 1,5 A
Contatti	Contacts	Contacts
Ottone argentato a saldare	Silver-plated brass solder lugs	Laiton argenté à souder
Corpo	Body	Corps
Nylon caricato vetro UL 94V-2	Glass filled nylon UL 94V-2	Nylon chargé verre UL94V-2



Codice	Circuito	Colore tasto
Code	Circuit	Actuator colour
Code	Circuit	Couleur bouton

KP 511 28 A0BB	off - mom	(n.o.)	■
KP 511 28 B0BB	on - mom	(n.c.)	■
KP 511 28 A0BR	off - mom	(n.o.)	■
KP 511 28 B0BR	on - mom	(n.c.)	■

Dimensioni | Dimensions | Dimensions



100 pz
100 pcs
100 pces

30 giorni
30 days
30 jours

INTERRUTTORI A BASCULA E PULSANTI

Rocker switches and push-buttons | *Interrupteurs à bascule et poussoirs*



PULSANTI UNIPOLARI

Single push pole buttons | *Poussoirs unipolaires*

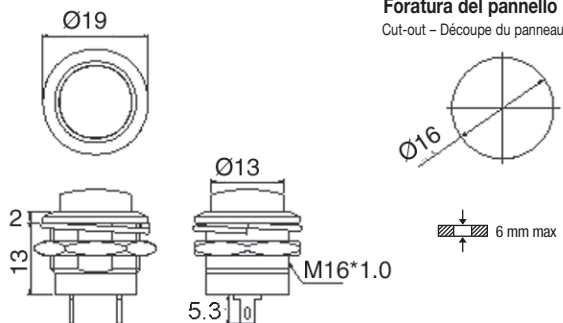
Tensione	Voltage	Tension
125 V - 250 V AC	125V - 250V AC	125 V - 250 V AC
Corrente	Current	Courant
6 A - 3 A	6 A - 3 A	6 A - 3 A
Contacti	Contacts	Contacts
Ottone argentato a saldare	Silver-plated brass solder lugs	Laiton argenté à souder
Corpo	Body	Corps
Plastico: nylon UL94V-2 Metallico: ottone nichelato	Plastic: nylon UL94V-2 Metal: Nickel plated brass	Plastique: nylon UL94V-2 Métallique: laiton nickelé
Norme riferimento	Standards	Normes
UL 1054	UL 1054	UL 1054



Codice	Circuito	Colore tasto
Code	Circuit	Actuator colour
Code	Circuit	Couleur bouton

Corpo plastico Plastic body Corps plastique		
KP 507 28 A0BB	off - mom	■
KP 507 28 A0BR	off - mom	■
Corpo metallico Metal body Corps métallique		
KP 507 28 A0MB	off - mom	■
KP 507 28 A0MR	off - mom	■

Dimensioni | Dimensions | Dimensions



PULSANTI/INTERRUTTORI BIPOLARI

Double pole push buttons/switches | *Poussoirs/interrupteurs bipolaires*

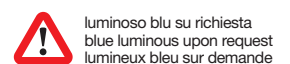
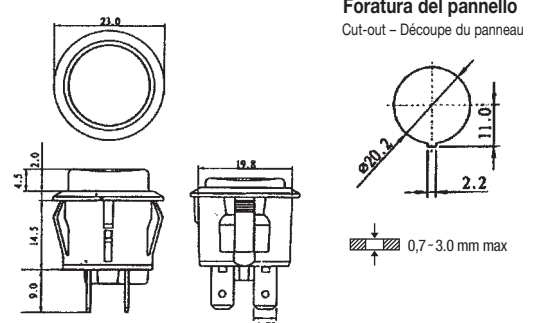
Tensione	Voltage	Tension
125 V - 250 V AC	125 V - 250 V AC	125 V - 250 V AC
Corrente	Current	Courant
10 A - 6 A	10 A - 6 A	10 A - 6 A
Contacti	Contacts	Contacts
Ottone argentato faston 4,8 mm	Silver-plated brass 4,8 mm faston	Laiton argenté faston 4,8 mm
Corpo	Body	Corps
Nylon UL 94V-2	Nylon UL 94V-2	Nylon UL 94V-2
Temperatura	Temperature	Température
85°C	85°C	85°C
Norme riferimento	Standards	Normes
UL 1054	UL 1054	UL 1054



Codice	Circuito	Colore tasto
Code	Circuit	Actuator colour
Code	Circuit	Couleur bouton

Colorati non luminoso Coloured, non illuminated Colorés non lumineux		
KP 527 48 A0BB	mom - off	■
KP 527 48 B0BB	on - off	■
KP 527 48 A0BR	mom - off	■
KP 527 48 B0BR	on - off	■
Luminoso Luminous Lumineux		
KP 527 48 A2BR	mom - off	■ neon
KP 527 48 B2BR	on - off	■ neon
KP 527 48 A2BG	mom - off	■ neon
KP 527 48 B2BG	on - off	■ neon

Dimensioni | Dimensions | Dimensions



INTERRUTTORI A BASCULA E PULSANTI

Rocker switches and push-buttons | *Interrupteurs à bascule et poussoirs*



PULSANTI/INTERRUTTORI LUMINOSI

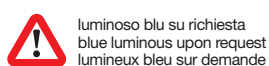
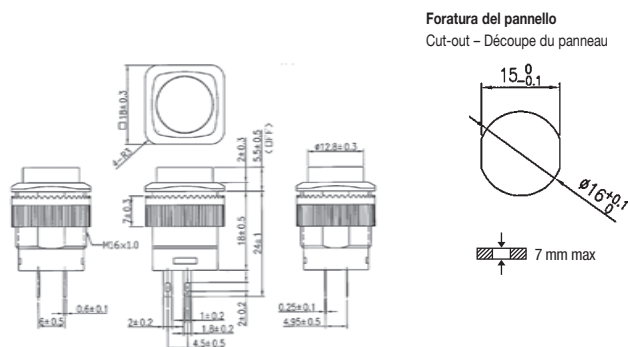
Luminous push buttons/switches | *Poussoirs/interrupteurs lumineux*

Tensione	Voltage	Tension
125 V - 250 V AC	125 V - 250 V AC	125 V - 250 V AC
Corrente	Current	Courant
3 A - 1,5 A	3 A - 1,5 A	3 A - 1,5 A
Contatti	Contacts	Contacts
Ottone argentato a saldare	Silver-plated brass solder lugs	Laiton argenté à souder
Corpo	Body	Corps
Nylon caricato vetro UL94 V-2	Glass filled nylon UL94 V-2	Nylon chargé verre UL94 V-2
Norme riferimento	Standards	Normes
UL 1054	UL 1054	UL 1054
LED	LED	LED
3V DC	3V DC	3V DC



Codice	Circuito	Colore tasto
Code	Circuit	Actuator colour
Code	Circuit	Couleur bouton
KP 508 28 A5BR	off - mom	led
KP 508 28 B5BR	off - on	led
KP 508 28 A5BG	off - mom	led
KP 508 28 B5BG	off - on	led

Dimensioni | Dimensions | Dimensions



PULSANTI/INTERRUTTORI LUMINOSI UNIPOLARI

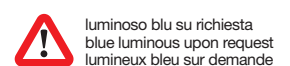
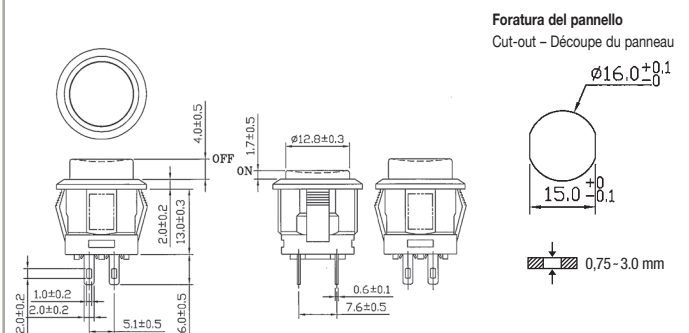
Single pole luminous push buttons/switches | *Poussoirs/interrupteurs unipolaires lumineux*

Tensione	Voltage	Tension
125 V - 250 V AC	125 V - 250 V AC	125 V - 250 V AC
Corrente	Current	Courant
3 A - 1,5 A	3 A - 1,5 A	3 A - 1,5 A
Contatti	Contacts	Contacts
Ottone argentato a saldare	Silver-plated brass solder lugs	Laiton argenté à souder
Corpo	Body	Corps
Nylon UL 94V-2	Nylon UL 94V-2	Nylon UL 94V-2
Temperatura	Temperature	Température
85°C	85°C	85°C
Norme riferimento	Standards	Normes
UL 1054	UL 1054	UL 1054




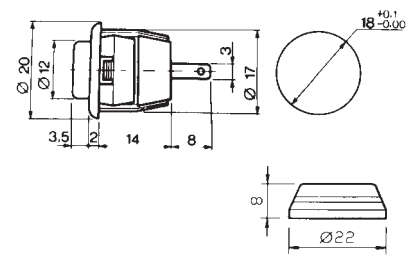



Codice	Circuito	Colore tasto
Code	Circuit	Actuator colour
Code	Circuit	Couleur bouton
KP 523 28 A5BR	off - mom	led
KP 523 28 B5BR	off - on	led
KP 523 28 A5BG	off - mom	led
KP 523 28 B5BG	off - on	led


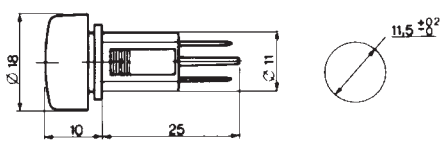




Dimensioni | Dimensions | Dimensions


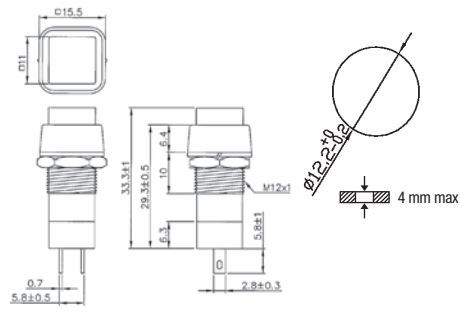








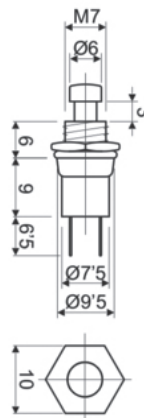



PULSANTI DA PANNELLO

PCB and panel mounting switches | *Poussoirs pour C.I. et panneau*

B5310 - B5311	Pulsante/cappuccio	Switch/prot. cover	Poussoir/capuchon	
	B5310 Pulsante instabile 0-1 Corrente 2 A Tensione 250 V Corpo Nero UL94 V0 Bottone Rosso Terminali Saldare B5311 Cappuccio trasparente	B5310 Momentary switch 0-1 Current 2 A Voltage 250V Body Black UL94 V0 Button Red Contacts Solder B5311 Transparent protection cover	B5310 Poussoir instable 0-1 Courant 2 A Tension 250 V Corps Noir UL94 V0 Bouton Rouge Contacts À souder B5311 Capuchon transparent	
		100 pz 100 pcs 100 pcs		pronta in stock en stock

B5410	Pulsante	Switch	Poussoir	
	B5410 Pulsante instabile 0-1 Corrente 1 A Tensione 250 V Corpo Nero UL94 V0 Bottone Rosso Terminali Faston 6,3 mm	B5410 Momentary switch 0-1 Current 1 A Voltage 250 V Body Black UL94 V0 Button Red Contacts Faston 6,3 mm	B5410 Poussoir instable 0-1 Courant 1 A Tension 250 V Corps Noir UL94 V0 Bouton Rouge Contacts Faston 6,3 mm	
		In fase di eliminazione To be discontinued En phase d'élimination		100 pz 100 pcs 100 pcs
				pronta in stock en stock

B1323 - B1324	Pulsanti da C.S. e pannello	PCB and panel mounting switches	Poussoirs pour C.I. et panneau	
	B1323 Pulsante nero instabile 0-1 B1324 Interruttore nero 0-1 Corrente 1,5 A/3 A Tensione 250 V/125 V Contatti Saldare	B1323 Black momentary switch 0-1 B1324 Black switch 0-1 Current 1,5 A/3 A Voltage 250 V/125 V Contacts Solder	B1323 Poussoir noir instabile 0-1 B1324 Interrupteur noir 0-1 Courant 1,5 A/3 A Tension 250 V/125 V Contacts À souder	
				100 pz 100 pcs 100 pcs
				pronta in stock en stock

B5123 - B5213	Pulsante instabile	Momentary switch	Poussoir instabile	
	B5123 Pulsante aperto 0-1 B5213 Pulsante chiuso 1-0 Corrente 500 mA Tensione 250 V Corpo Nero Bottone Rosso Terminali Saldare	B5123 N.O. switch 0-1 B5213 N.C. switch 1-0 Current 500 mA Voltage 250 V Body Black Button Red Contacts Solder	B5123 Poussoir ouvert 0-1 B5213 Poussoir fermé 1-0 Courant 500 mA Tension 250 V Corps Noir Bouton Rouge Contacts À souder	
		100 pz 100 pcs 100 pcs		pronta in stock en stock

