

127 mm sq.

San Ace 127



General Specifications

- Material Frame: Plastics (Flammability: UL94V-0),
Impeller: Plastics (Flammability: UL94V-1)
- Expected Life Refer to specifications (L10:Survival rate:90% at 60°C ,
rated voltage, and continuously run in a free air state)
- Lead Wire ⊕red ⊖black or blue (Sensor) yellow
- Storage Temperature -30°C to +70°C (Non-condensing)

127×127×38mm (Mass : 350g) **9P type**

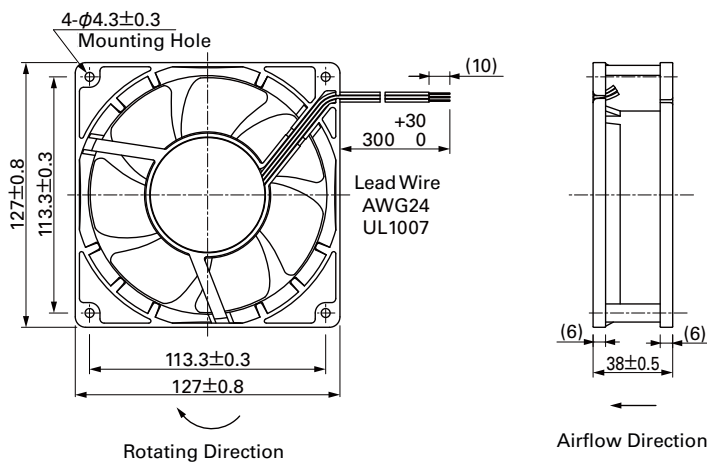
Specifications

The following nos. **have pulse sensors and ribs**. For ribless, append "1" to the model no.

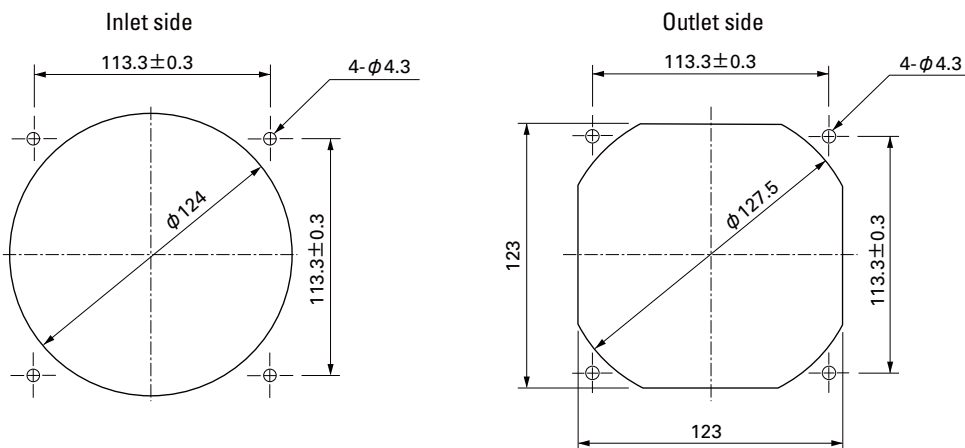
| Model No. | Rated Voltage [V] | Operating Voltage Range [V] | Rated Current [A] | Rated Input [W] | Rated Speed [min ⁻¹] | Max. Airflow [m ³ /min] [CFM] | Max. Static Pressure [Pa] [inchH ₂ O] | SPL [dB(A)] | Operating Temperature [°C] | Expected Life [h] |
|---------------------|-------------------|-----------------------------|-------------------|-----------------|----------------------------------|--|--|-------------|----------------------------|-------------------|
| 109P1312S101 | 12 | 10.2 to 13.8 | 1.3 | 15.6 | 3,300 | 4.2 148 | 117.6 0.472 | 47 | -20 to +60 | 40,000/60°C |
| 109P1312H101 | | | 0.82 | 9.84 | 2,950 | 3.8 134 | 98 0.394 | 45 | | |
| 109P1324S101 | 24 | 20.4 to 27.6 | 0.55 | 13.2 | 3,300 | 4.2 148 | 117.6 0.472 | 47 | | |
| 109P1324H101 | | | 0.41 | 9.84 | 2,950 | 3.8 134 | 98 0.394 | 45 | | |
| 109P1348S101 | 48 | 40.8 to 55.2 | 0.3 | 14.4 | 3,300 | 4.2 148 | 117.6 0.472 | 47 | | |
| 109P1348H101 | | | 0.2 | 9.6 | 2,950 | 3.8 134 | 98 0.394 | 45 | | |

Models without sensors or with lock sensors are available as options. Please refer to the index (p. 468).

Dimensions (unit: mm) (With ribs)



Reference Dimensions of Mounting Holes and Vent Opening (unit: mm)



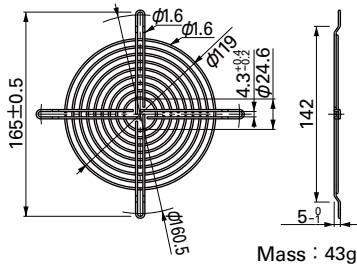
Options (unit: mm)

Finger Guards

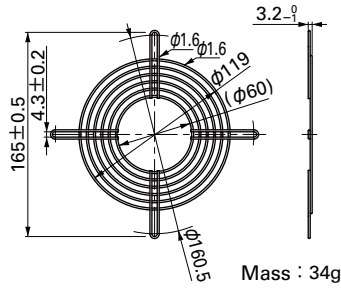
Model : 109-722 Surface treatment : Nickel-chrome plating (silver) Color (silver)

Model : 109-723 Surface treatment : Nickel-chrome plating (silver) Color (silver)

Inlet side, Outlet side

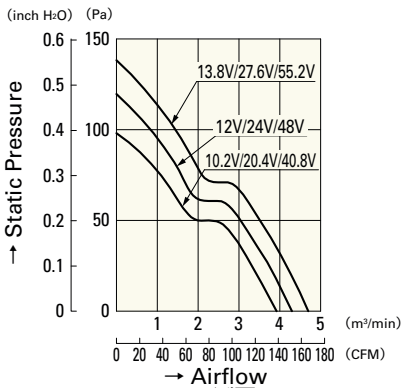


Outlet side

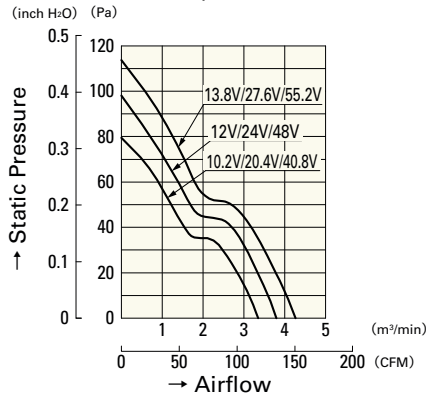


Airflow - Static Pressure Characteristics

S speed



H speed



109P1312S101

109P1324S101

109P1348S101

109P1312H101

109P1324H101

109P1348H101