

**140**mm sq.

# San Ace 140



## General Specifications

- Material ..... Frame: Plastics (Flammability: UL94V-0),  
Impeller: Plastics (Flammability: UL94V-1)
- Expected Life ..... Refer to specifications (L10:Survival rate:90% at 60°C ,  
rated voltage, and continuously run in a free air state)
- Lead Wire ..... ⊕red ⊖black or blue (Sensor) yellow
- Storage Temperature ..... -30°C to +70°C (Non-condensing)

**140×140×38mm** (Mass : 450g) **9P type**

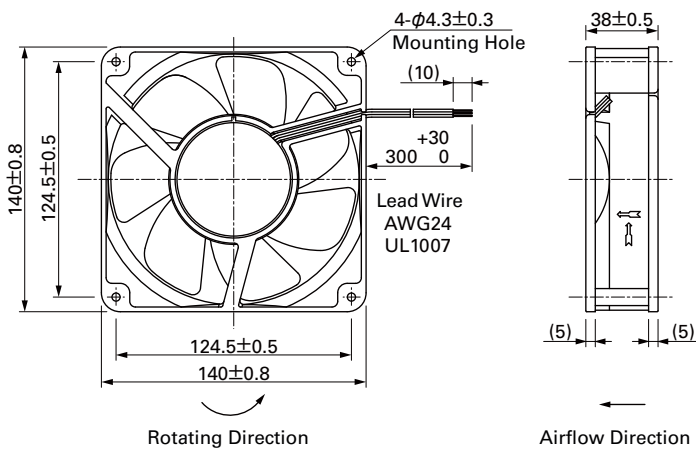
## Specifications

The following nos. have pulse sensors and ribs.

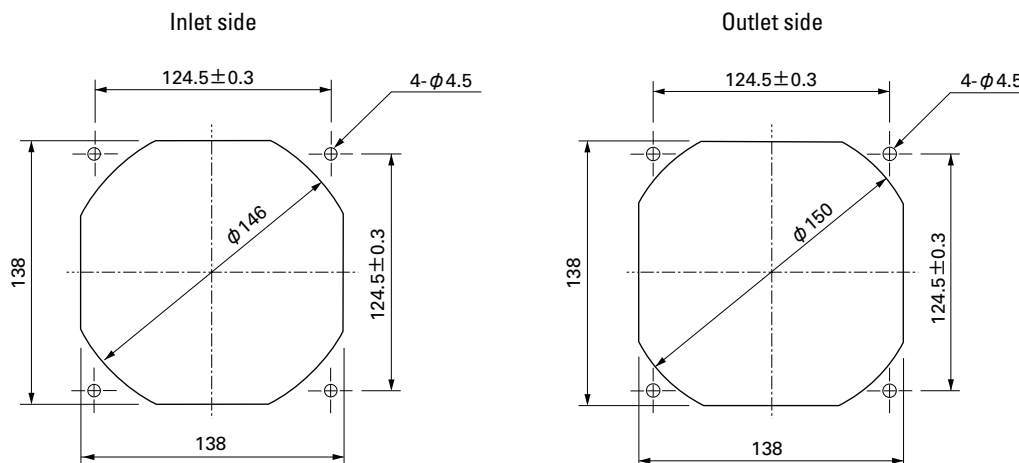
Model No.	Rated Voltage [V]	Operating Voltage Range [V]	Rated Current [A]	Rated Input [W]	Rated Speed [min <sup>-1</sup> ]	Max. Airflow [m <sup>3</sup> /min] [CFM]	Max. Static Pressure [Pa] [inchH <sub>2</sub> O]	SPL [dB(A)]	Operating Temperature [°C]	Expected Life [h]
109P1412H101	12	10.2 to 13.8	0.73	8.76	2,600	4.5 159	94 0.378	46	-20 to +70	40,000/60°C
109P1412M101			0.33	3.96	1,900	3.3 117	52 0.209	38		
109P1424H101	24	20.4 to 27.6	0.37	8.88	2,600	4.5 159	94 0.378	46		
109P1424M101			0.16	3.84	1,900	3.3 117	52 0.209	38		
109P1448H101	48	40.8 to 55.2	0.2	9.6	2,600	4.5 159	94 0.378	46		
109P1448M101			0.09	4.32	1,900	3.3 117	52 0.209	38		

Models without sensors or with lock sensors are available as options. Please refer to the index (p. 468).

## Dimensions (unit: mm)



## Reference Dimensions of Mounting Holes and Vent Opening (unit: mm)



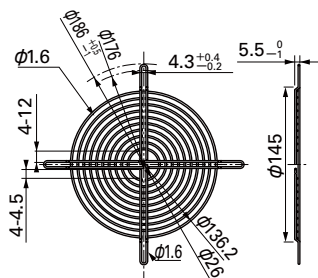
**Options (unit: mm)**

**Finger Guards**

Model : 109-719 Surface treatment : Nickel-chrome plating Color (silver)

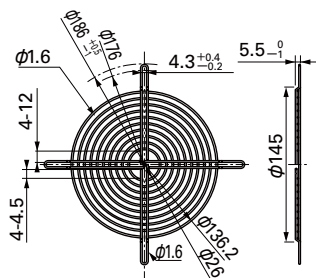
Model : 109-719H Surface treatment : Cation electropainting Color (black)

Inlet side, Outlet side



Mass : 51g

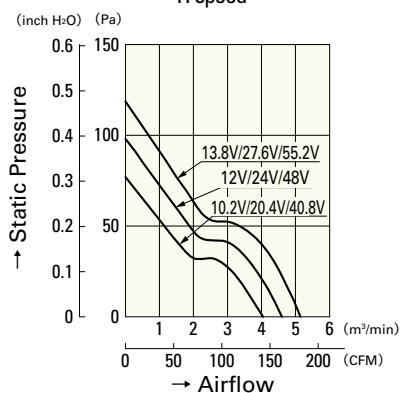
Inlet side, Outlet side



Mass : 51g

**Airflow - Static Pressure Characteristics**

**H speed**

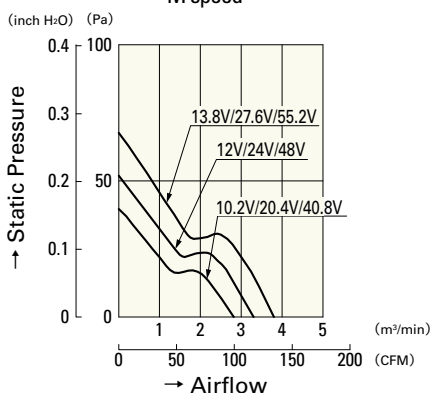


**109P1412H101**

**109P1424H101**

**109P1448H101**

**M speed**



**109P1412M101**

**109P1424M101**

**109P1448M101**