

Shock-Safe Fuseholder, 5 x 20 mm, Slotted Cap/Fingerrip, PC3, medical



Fingerrip

captive fuse carrier

250 VAC · 2.5W/10A (VDE)10A (UL/CSA)



Description

- Shocksafe category PC3
- Captive Fuse-Carrier, Slotted or Fingerrip

Standards

- IEC 60127-6
- UL 4248-1
- CSA 22.2 no. 4248.1

Approvals

- VDE Certificate Number: 135561
- UL File Number: E39328

Applications

- Medical equipment

Weblinks

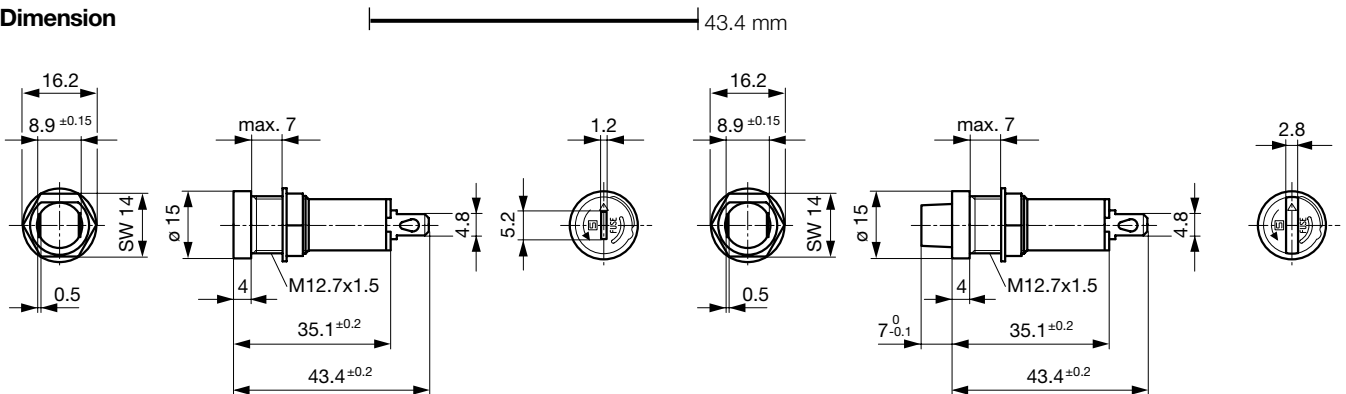
[pdf-datasheet](#), [html-datasheet](#), [General Product Information](#), [Approvals](#), [CE declaration of conformity](#), [RoHS](#), [CHINA-RoHS](#), [REACH](#), [SCHURTER-Stock-Check](#), [Distributor-Stock-Check](#), [Detailed request for product](#)

Technical Data

| | |
|------------------------------|--|
| Shock-Safe Category | PC3 |
| Fuse-Link | 5 x 20 mm |
| Mounting | Panel Mount, Front Side |
| Attachment | Fixing Nut |
| Terminal | Solder or Quick-Connect 4.8 x 0.5 mm |
| Rated Voltage | 250 VAC |
| Rated current | 10 A (VDE), 10 A (UL/CSA) |
| Rated Power Acceptance IEC | 2.5 W / 10 A @ Ta 23 °C Admissible power acceptance at higher ambient temperature see derating curves |
| Degree of Protection | IP 40 |
| Protection Class | Suitable for appliances with protection class I acc. to IEC 61140 |
| Admissible Ambient Air Temp. | -40 °C to 85 °C |
| Climatic Category | 40/085/21 acc. to IEC 60068-1 |
| Material: Socket | Thermoplastic, black, UL 94V-0 |
| Material: Terminals | Tin-Plated Copper Alloy |
| Unit Weight | 5.62 g |
| Storage Conditions | 0 °C to 60 °C, max. 70% r.h. |
| Product Marking | Type, Rated Voltage, Approvals |

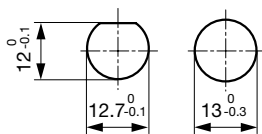
| | |
|---------------------------------|---|
| Soldering Methods | Iron Soldering Profile |
| Solderability | 350 °C / 2 sec acc. to IEC 60068-2-20, Test Ta, method 2 |
| Resistance to Soldering Heat | 350 °C / 10sec acc. to IEC 60068-2-20, Test Tb, method 2 |
| Contact Resistance | < 5 mΩ at 20 mV |
| Dielectric Strength | > 3kV > 4kV between L/N-PE (50Hz; 1 min) |
| Impulse Withstand Voltage | > 4kV between L-N > 6kV between L/N-PE |
| Insulation Resistance | > 10 MΩ between L-N > 100 MΩ between L/N-PE (500 VDC; 1 min) |
| Overvoltage Category | I - II acc. to IEC 60664-1 |
| Pollution Degree | 1 - 2 acc. to IEC 60664-1 |
| Admissible Torque on Fixing Nut | max 1.2 Nm |
| Panel Thickness s | max 7 mm |

Dimension



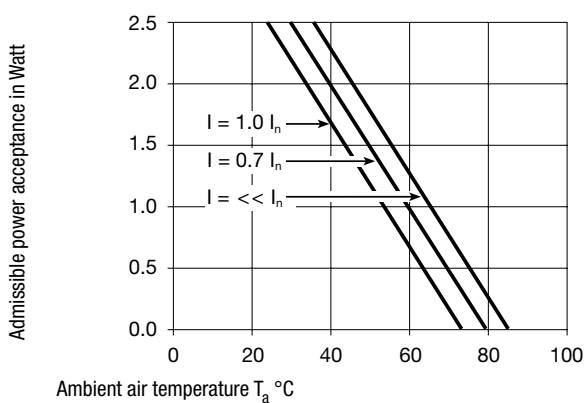
Variant 0031.3901

Variant Fingerrip 0031.3911



Mounting holes

Derating Curves



All Variants

| Holder | Cap | Terminal | Degree of Protection | Order Number |
|--------|------------|----------------------------|----------------------|--------------|
| ● | slotted | Solder | IP 40 | 0031.3901 |
| ● | slotted | Quick-Connect 4.8 x 0.5 mm | IP 40 | 0031.3903 |
| ● | Fingergrip | Solder | IP 40 | 0031.3911 |
| ● | Fingergrip | Quick-Connect 4.8 x 0.5 mm | IP 40 | 0031.3913 |

Most Popular.

Availability for all products can be searched real-time: <http://www.schurter.com/Stock-Check/Stock-Check-SCHURTER>

Packaging Unit Bulk (100 pcs.)