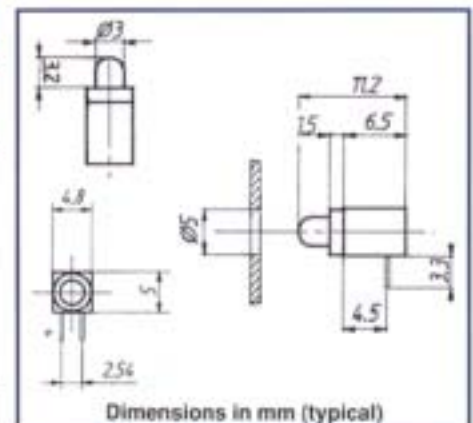




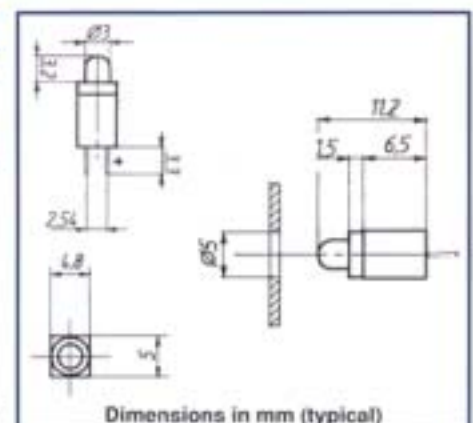
**SERIES KDE 373 Ø 3 mm LED**

TYPE	EMITTED COLOUR	LUMINOUS INTENSITY			FULL VIEWING ANGLE	FORWARD VOLTAGE (I <sub>F</sub> =20 mA)		OPERATING TEMPERATURE	FORWARD CURRENT
		PEAK	TYP.	IF		TYP.	MAX		
KDE 373 - R	RED	700	5	10	120	2.0	2.5	- 55 to + 100	25
KDE 373 - Y	YELLOW	590	12.5	10	120	2.1	2.5		30
KDE 373 - G	GREEN	565	12.5	10	120	2.2	2.5		25
KDE 373 - S	SUPER RED	625	20	10	120	2.0	2.5	30	
KDE 373 - B	RED/GREEN	625/565	12.5	20	100	2.0	2.5	25	
KDE 373 - I	IPER RED	660	100	20	120	1.85	2.5	30	
<b>LOW CURRENT</b>									
KDE 373 - RL	RED	625	2	2	120	1.8	2.5	- 55	7.5
KDE 373 - YL	YELLOW	590	2	2	120	1.9	2.7	to	7.5
KDE 373 - GL	GREEN	565	2	2	120	1.9	2.5	to	7.5
KDE 373 - IL	IPER RED	660	20	2	120	1.85	2.5	+ 100	7.5
QUALITY TESTED 100%	DIFFUSED	nm	mcA	mA	DEGREE	V	V	°C	mA



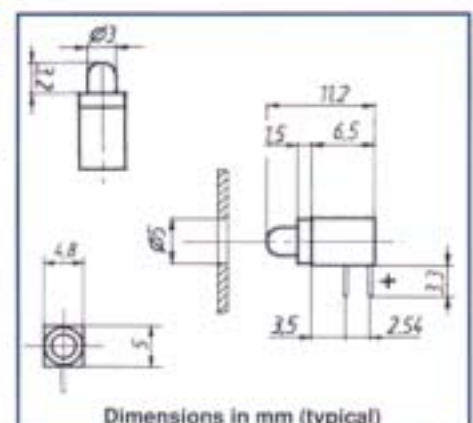
**SERIES KDE 374 Ø 3 mm LED**

TYPE	EMITTED COLOUR	LUMINOUS INTENSITY			FULL VIEWING ANGLE	FORWARD VOLTAGE (I <sub>F</sub> =20 mA)		OPERATING TEMPERATURE	FORWARD CURRENT
		PEAK	TYP.	IF		TYP.	MAX		
KDE 374 - R	RED	700	5	10	120	2.0	2.5	- 55 to + 100	25
KDE 374 - Y	YELLOW	590	12.5	10	120	2.1	2.5		30
KDE 374 - G	GREEN	565	12.5	10	120	2.2	2.5		25
KDE 374 - S	SUPER RED	625	20	10	120	2.0	2.5	30	
KDE 374 - B	RED/GREEN	625/565	12.5	20	100	2.0	2.5	25	
KDE 374 - I	IPER RED	660	100	20	120	1.85	2.5	30	
<b>LOW CURRENT</b>									
KDE 374 - RL	RED	625	2	2	120	1.8	2.5	- 55	7.5
KDE 374 - YL	YELLOW	590	2	2	120	1.9	2.7	to	7.5
KDE 374 - GL	GREEN	565	2	2	120	1.9	2.5	to	7.5
KDE 374 - IL	IPER RED	660	20	2	120	1.85	2.5	+ 100	7.5
QUALITY TESTED 100%	DIFFUSED	nm	mcA	mA	DEGREE	V	V	°C	mA



**SERIES KDE 375 Ø 3 mm LED**

TYPE	EMITTED COLOUR	LUMINOUS INTENSITY			FULL VIEWING ANGLE	FORWARD VOLTAGE (I <sub>F</sub> =20 mA)		OPERATING TEMPERATURE	FORWARD CURRENT
		PEAK	TYP.	IF		TYP.	MAX		
KDE 375 - R	RED	700	5	10	120	2.0	2.5	- 55 to + 100	25
KDE 375 - Y	YELLOW	590	12.5	10	120	2.1	2.5		30
KDE 375 - G	GREEN	565	12.5	10	120	2.2	2.5		25
KDE 375 - S	SUPER RED	625	20	10	120	2.0	2.5	30	
KDE 375 - B	RED/GREEN	625/565	12.5	20	100	2.0	2.5	25	
KDE 375 - I	IPER RED	660	100	20	120	1.85	2.5	30	
<b>LOW CURRENT</b>									
KDE 375 - RL	RED	625	2	2	120	1.8	2.5	- 55	7.5
KDE 375 - YL	YELLOW	590	2	2	120	1.9	2.7	to	7.5
KDE 375 - GL	GREEN	565	2	2	120	1.9	2.5	to	7.5
KDE 375 - IL	IPER RED	660	20	2	120	1.85	2.5	+ 100	7.5
QUALITY TESTED 100%	DIFFUSED	nm	mcA	mA	DEGREE	V	V	°C	mA



**MATERIAL SPECIFICATION**

- ⚡ HOUSING: BLACK NORYL, UL94 V-0
- ⚡ SOLDERING TEMPERATURE: 260°C ≤ 6 sec.
- ⚡ FLAMABILITY: UL 94 V-0 and acc. VDE 0304 part3
- ⚡ CLIMATE: DIN 40040
- ⚡ TERMINATIONS: □ 0,5 mm leads
- ⚡ Mean Time Between Failure: • standard 100.000 hours • low current 250.000 hours

**OPTIONS AVAILABLE**

- ⚡ 5 V & 12 V INTEGRATED RESISTOR
- ⚡ BICOLOUR/TRICOLOUR & BIPOLAR
- ⚡ BLUE OR WHITE LEDs
- ⚡ ULTRABRIGHT - INFRARED & PHOTOTRANSISTORS
- ⚡ LED CASE: WATER CLEAR - TRANSPARENT - WHITE
- ⚡ FLAT TOP & BLINKING LEDs
- ⚡ SPECIAL LEDs ON REQUEST