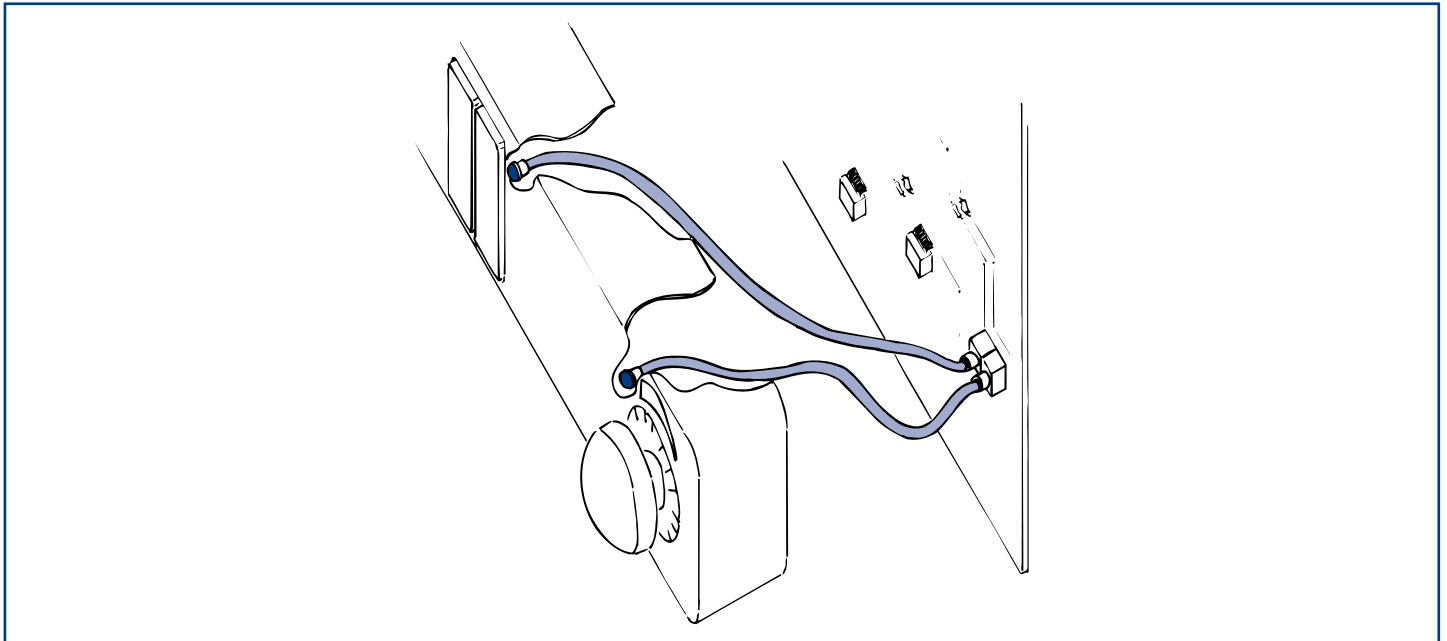


**Optical Cable System**



**Optical cable system** solves many important problems connected to:

quality, reliability, low mounting costs, flexibility, on time deliveries, fast solution in your mounting system, utilization of only 3 codes for a range of own products, possibility to use the actual PCB without modifying or changing it, elimination of connection and/or soldering, transport/receive of every luminous source (visible or invisible).

You can now use the technology tested for many years in the aerospace field in order to improve the quality and above all to reduce costs without making essential changes. Since 1979 our idea stands out from the others for the creativeness and simply because **WE MANUFACTURE SOLUTIONS.**

135°C operating temperature, different shapes and symbols on request. Cold area and without voltage on all panels with ESD protection.

**Optical cable system** offers many advantages respect to the traditional panel LED-holder, in fact it is easier to assemble LED and other components on pcb, to insert lens and support in press-fit and snap-in, to cut the cable at the right length close the system.

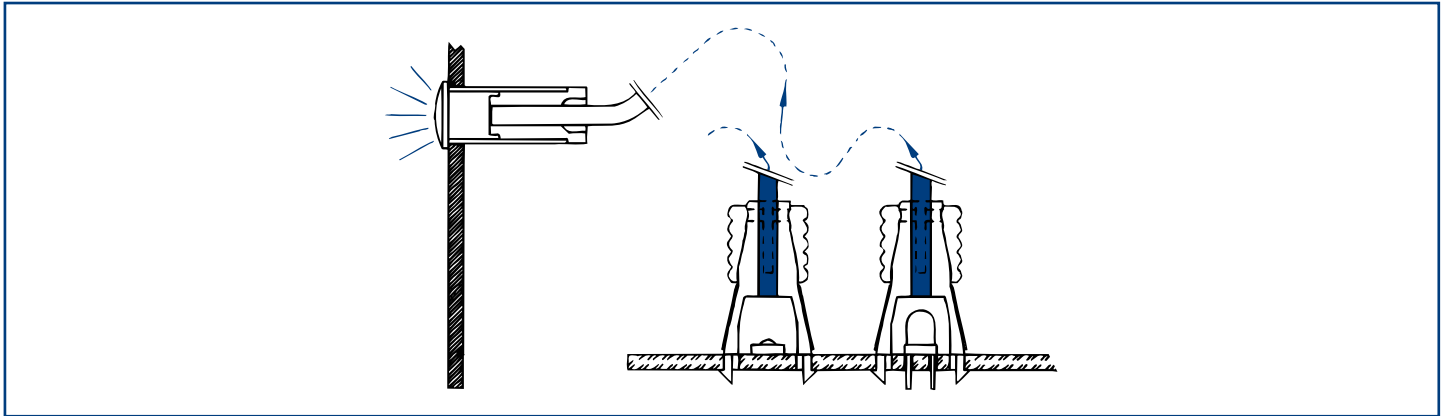
You can specify desired length from 10cm till to 250 m.

**Traditional System**

- ▶ Cold soldering
- ▶ Voltage to the Panel
- ▶ At least 12 operations for mounting
- ▶ High mounting costs
- ▶ Connection and/or soldering
- ▶ Vibration's problems
- ▶ Large pitch
- ▶ Necessary tool for mounting
- ▶ Isolation problems
- ▶ Range temperature problems

**Optical Cable System**

- ▶ No solder
- ▶ ESD protection
- ▶ Only 3 operations for mounting
- ▶ Low mounting costs
- ▶ No connection and no soldering
- ▶ No vibration problems
- ▶ Reduced pitch
- ▶ Water proof available
- ▶ From SMD led to front panel
- ▶ High visibility 180°



**Make up your code**

**KTAB**

Series

**LXX**

Lens  
LX=Ø 7mm

**WX**

PCB Holder  
 ● WR for all LED size, (from SMD to 3mm)  
 ● WA for 3mm LED  
 ● WP for 3mm LED

**XX**

LED Type  
See below

**XXX**

Optical Cable:  
C01 Ø 2mm:  
Indicate your length (cm)

Example for code: **KTAB-L74-WR-S1-10**

- ▶ **KTAB:** is the series
- ▶ **L74:** lens clear (insert colour)
- ▶ **WR:** generic PCB holder
- ▶ **S1:** SMD LED 1206 Red (put your LED)
- ▶ For Optical Cable System you can use only the code C01, to means the cable length in cm.

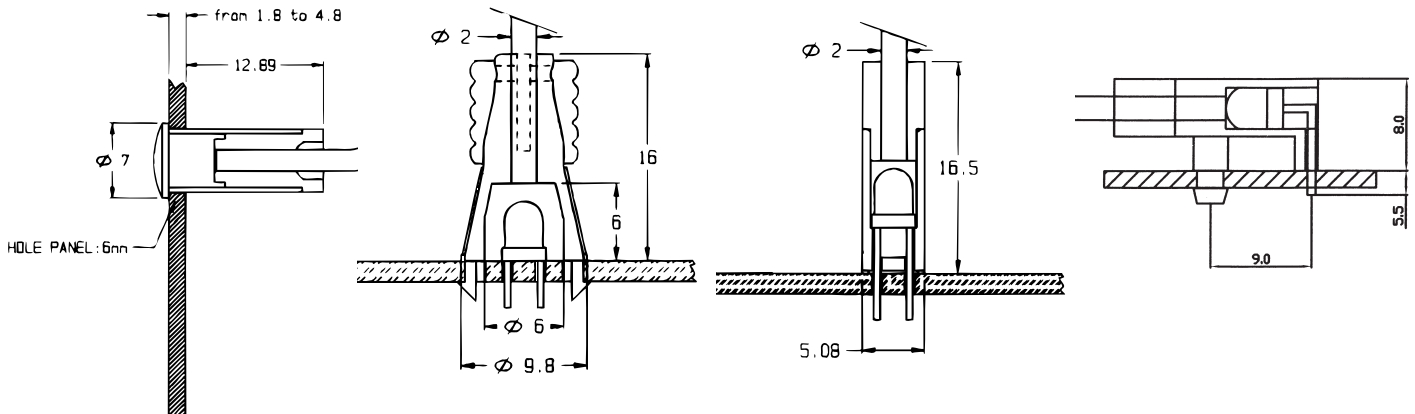
*You can order each code separately: you have to indicate KTAB before the product code (es. KTABL75 is the lens Blue)*

**L7X**

**WR**

**WA**

**WP**



<b>Lens</b>				
Code	Colour	Ø Lens (mm)	Ø Hole (mm)	Material
L71	Red	Ø 7	Ø 6	Transparent UL94 V-O Operating temperature -60°C +125°C
L72	Green	Ø 7	Ø 6	
L73	Yellow	Ø 7	Ø 6	
L74	Clear	Ø 7	Ø 6	
L75	Blue	Ø 7	Ø 6	
L..	Special Color			

<b>PCB Holder</b>				
Code	Temperature Range	Deflected temp.	Flamability	Material
WR	-60 °C +125 °C	135 °C	UL 94 V-0	PC
WA	-60 °C +125 °C	150 °C	UL 94 V-0	PA 66
WP	-60 °C +125 °C	150 °C	UL 94 V-0	PA 66

<b>LED</b>						
Code	Size	Emitted Color	IF 20 mA		Peak (nm)	Operating Temperature
			mcd (TYP)	V (TYP)		
Q1	PLCC2	Red	65	2.0	624	-30 °C +85°C
Q2	PLCC2	Green	40	2.1	571	
Q3	PLCC2	Yellow	56	2.0	589	
Q4	PLCC2	Red/Green	40/25	2.1/2.0	625/571	
Q5	PLCC2	Blue	37	3.8	470	
Q6	PLCC2	White	160	3.6	-	
P1	Ø 3mm	Red	100	2.0	635	
P2	Ø 3mm	Green	110	2.2	568	
P3	Ø 3mm	Yellow	90	2.1	585	
P4	Ø 3mm	Red/Green	30	2.2	635/568	
P5	Ø 3mm	Blue	60	5.1	430	
P6	Ø 3mm	White	180	4.5	-	
P7	Ø 3mm	Orange	20	2.1	625	
S1	1206	Red	50	1.8	660	
S1	1206	Green	35	2.0	568	
S3	1206	Yellow	70	2.0	587	
S4	1206	Red/Green	30	2.0	660/568	
S5	1206	Blue	22	4.0	430	

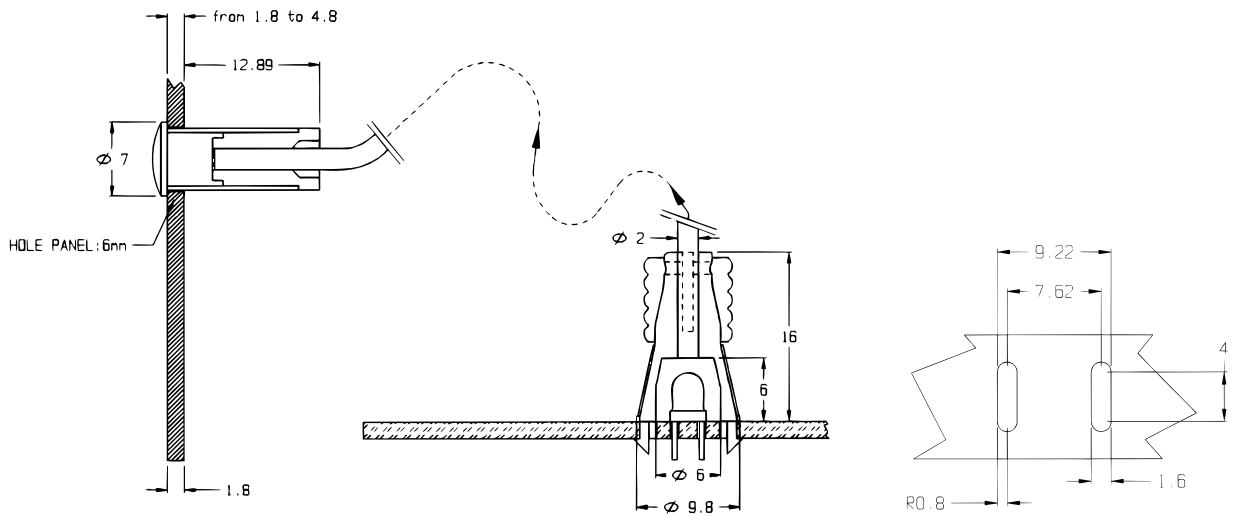
<b>Optical Cable</b>					
Code	Length (mt)	Max.Atten (db/m)	Fibre Ø (mm)	Operating Temp	Option
C01	0 ÷ 250	0.2	2.00	-55°C +70°C	Available other Ø

**FEATURES**

- ◆ No Solder
- ◆ Only 3 operations for mounting
- ◆ No connection and no soldering
- ◆ From SMD to front panel
- ◆ No vibration problems
- ◆ ESD protection
- ◆ Low mounting costs
- ◆ Water proof available
- ◆ High visibility 180°
- ◆ Reduced pitch

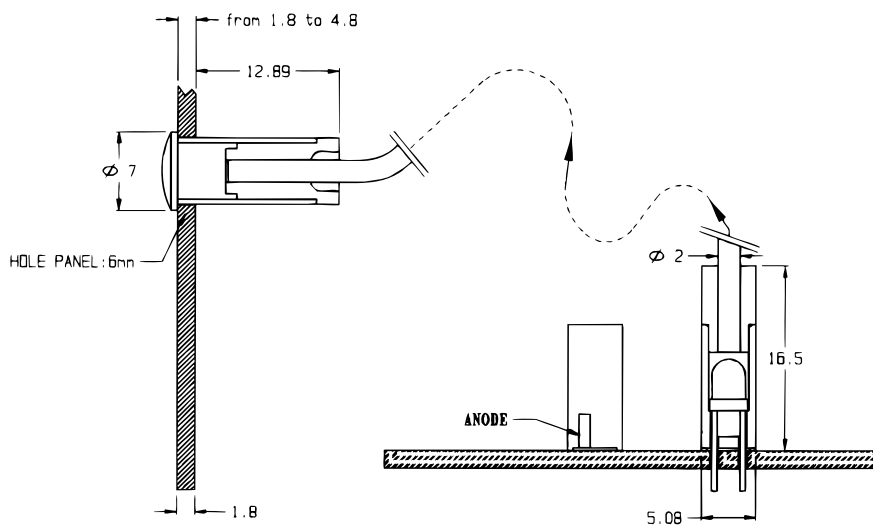
**WR**

Dimensions in mm (typical)



**WA**

Dimensions in mm (typical)



**WP**

Dimensions in mm (typical)

