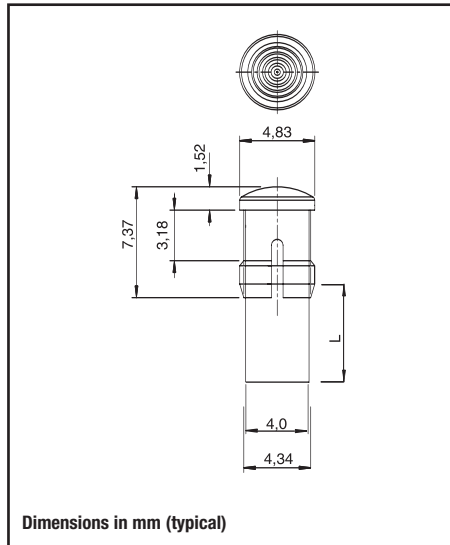




Material: PC Optics UL94 clear
Operating Temperature -60° +125°C
ESD Protection



KTR031 series

Code: KTR031X (color of lens)/XXX (length)

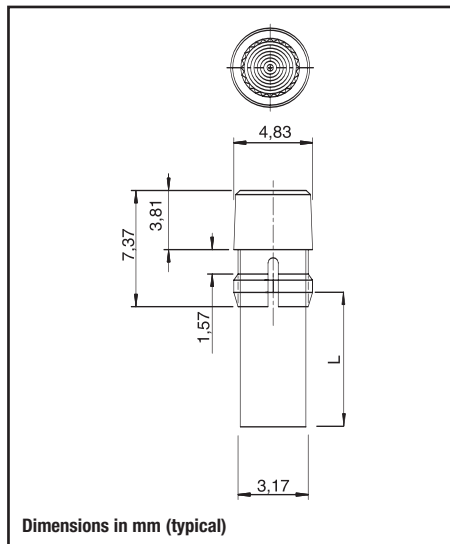
Code	Length (L)
KTR031X/006	0,63
KTR031X/057	5,71
KTR031X/107	10,79
KTR031X/158	15,87
KTR031X/209	20,95
KTR031X/260	26,03
KTR031X/XXX	Your Length

Hole: 4,3 mm Panel: 0,8÷6,3 mm

Code	Color
KTR031A	Amber Transparent
KTR031B	Blue Transparent
KTR031C	Clear Transparent
KTR031G	Green Transparent
KTR031R	Red Transparent
KTR031Y	Yellow Transparent



Material: PC Optics UL94 clear
Operating Temperature -60° +125°C
ESD Protection



KTR033 series

Code: KTR033X (color of lens)/XXX (length)

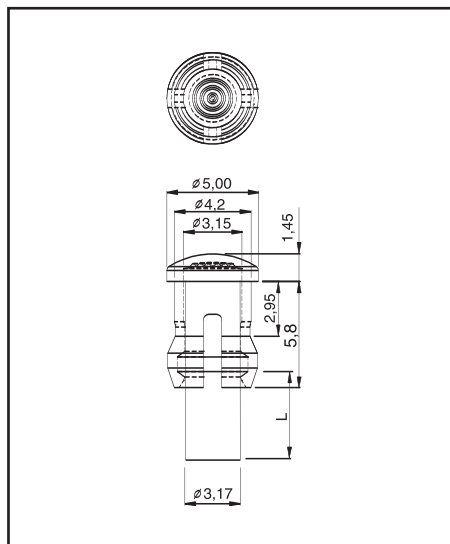
Code	Length (L)
KTR033X/006	0,63
KTR033X/057	5,71
KTR033X/107	10,79
KTR033X/158	15,87
KTR033X/209	20,95
KTR033X/260	26,03
KTR033X/XXX	Your length

Hole: 4,3 mm Panel: 0,8÷1,6 mm

Code	Color
KTR033A	Amber Transparent
KTR033B	Blue Transparent
KTR033C	Clear Transparent
KTR033G	Green Transparent
KTR033R	Red Transparent
KTR033Y	Yellow Transparent



Material: PC Optics UL94 clear
Operating Temperature -60° +125°C
ESD Protection



KTR037 series

Code: KTR037C/XXX (length)

Code	Length (L)
KTR037C/006	0,63
KTR037C/057	5,71
KTR037C/107	10,79
KTR037C/158	15,87
KTR037C/209	20,95
KTR037C/260	26,03
KTR037C/XXX	Your length

Hole: 4,2 mm Panel: 0,8÷2,95 mm

Code	Color
KTR037C	Clear Transparent