




Features:

- 3Ø - 3 Wire, 3Ø - 4 Wire Input
- Monitors Under current, Over current & Current asymmetry
- True RMS measurement
- Power ON delay, Trip time delay and Recovery time delay
- Adjustable switching hysteresis
- One alarm relay with NC or NO operation selectable
- LCD with backlight
- DIN Rail Mount

Size: 35mm (Width)

Certifications:  RoHS

Technical Specifications

Display

Display	Liquid Crystal Display with backlight
Digits	3

Input Specifications

Functions	
Measurements	Under current, Over current and Current asymmetry
Time Settings	Power ON delay, Trip time delay, Recovery time delay
Alarm Indications	Trip
Latching	Selectable
Reset	Auto / Manual
Electrical Connections	1Ø-2W, 3Ø-3W, 3Ø-4W
Auxiliary Supply	
Supply Voltage (factory set)	230V AC / 110V AC; ±15%
Frequency	45 - 65Hz
VA Rating	15VA max
CT Settings	
CT Primary	1A/5A - 999A (selectable)
CT Secondary	1A / 5A (selectable)
Current Rating	
Measuring Range (RMS Value)	0 - 1.19kA
Trip Settings	
Under Current Protection	0 - 999A
Over Current Protection	0.5A - 1.19kA
Current Asymmetry	5.0 - 99.9%
Trip Time Settings	
Power ON Delay	0.5 - 99.9sec
Trip Time Delay	0 - 99.9sec
Recovery Time Delay	0 - 99.9sec (In auto reset mode)
Response Time	<200ms

Hysteresis

Current 0.1 - 99.9A

Resolution

Current 0.01, 0.1, 1A, 0.01kA
(depends on CT setting)

Accuracy

Current ±1% of Setting ±2 digits
Time Setting Accuracy ±5% of Setting ± 200ms

Output Specifications

No. of Relays	1
Type of output	1C/O (SPDT)
Relay Rating	NO : 5A, 250V AC NC : 3A, 250V AC

LED Indication

LED1 (Red)	Relay (Continuously ON after trip)
------------	------------------------------------

Environmental Specifications

Temperature	Operating Temperature: 0°C to +50°C Storage Temperature : -20°C to +70°C
Humidity (non-condensing)	Upto 95% RH
Pollution Degree	2
Degree of protection	IP50 Faceplate IP30 Housing IP20 Terminals

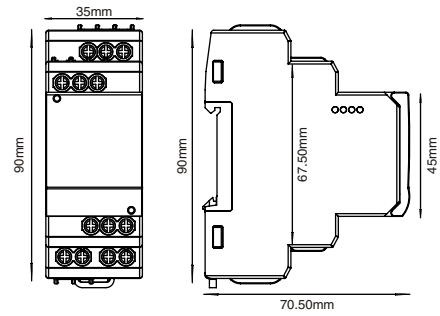
Mechanical Specifications

No. of Push Button	3
Size	35mm (width)
Mounting	Din Rail Mount
Weight	150gms
Conductor cross section (Solid)	1 x (0.5 to 4) Sq mm
Conductor cross section sleeved (Stranded)	2 x (0.5 to 1.5) Sq mm
Screw tightening torque	0.5 Nm

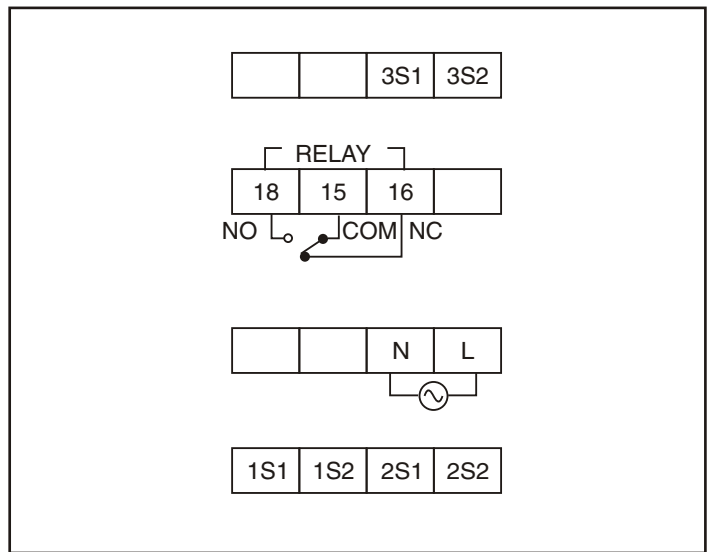
EMC

Electromagnetic compatibility	IEC 61326-1
ESD Immunity: IEC 61000-4-2	Level III
Surge Immunity: IEC 61000-4-5	+/- 2 kV common mode, +/- 1 kV differential mode
Radiated Susceptibility: IEC 61000-4-3	Level III, 80 to 1000MHz Level II, 1GHz to 2GHz Level I, 2GHz to 2.7GHz
Conducted Susceptibility: IEC 61000-4-6	Level II
Voltage Dips and Interruption: IEC 61000-4-11	Dips: 0% residual voltage/1 cycle (Crit A.), 40% residual voltage/10 cycles 50 Hz / 12 cycles 60 Hz (Crit A) 70% residual voltage / 25 cycles 50 Hz / 30 cycles 60 Hz (Crit C) Interruptions: 0% residual voltage / 250 cycles 50 Hz / 300 cycles 60 Hz (Crit C)
Conducted Emissions	CISPR-11 & IEC 61000-6-3
Radiated Emissions	CISPR-11
Electrical Fast Transient: IEC 61000-4-4	Level 3.

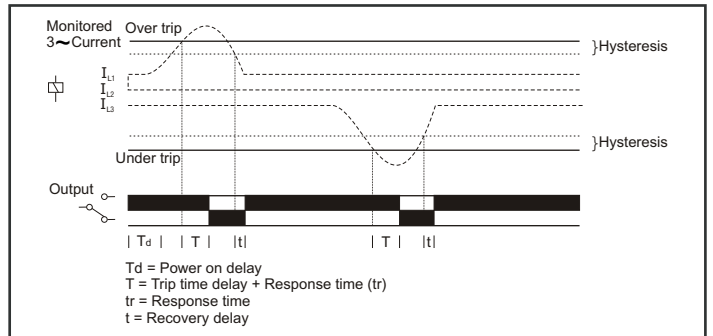
Dimensions



Terminal Connections



Timing Diagram



Ordering Information

Part No.	Supply Voltage	Certification
900CPR-3-1-BL-230V-CE	230V AC	CE RoHS
900CPR-3-1-BL-110V-CE	110V AC	CE RoHS