

# DEB71



## Earth Leakage Monitoring Relay



### Benefits

- **Adjustable trip level.** Adjustable leakage threshold from 30mA to 5A or from 300mA to 30A.
- **2 outputs.** Two relay outputs provide, besides the alarm signal an additional warning output.
- **Level indication.** LED Bar shows at a glance the real time leakage level.
- **Nuisance tripping safe.** EN 60947-2 Annex M conformity.
- **Anti tampering.** Sealable front lid provides protection against possible tampering.
- **Remote R/T button.** Input for external reset switch allows remote system restart in case of tripping.
- **Earthed / unearthed mains.** The DEB can be used on both three phase or single phase, which not necessarily need to be earthed.

### Description

The DEB71 is an adjustable modular residual current relay which, in conjunction with the MCB and the CT, provides the protection of people against electrocution, or protection of properties against fire, by interrupting the mains on faulty loads or lines.

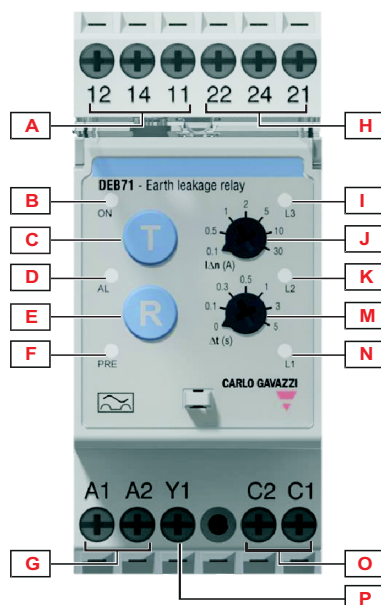
The setpoint of the leakage current is adjustable. The device is equipped with two changeover relay outputs.

One output triggers at 60% of setpoint value providing a warning to user, the other output is used to shut down the system to prevent accidents.

### Applications

The DEB is a flexible device and can be used for all the applications where the loss of insulation, and/or grounding failure, of the loads or lines may cause injuries to people due to electrocution or ignite fires.

## Structure

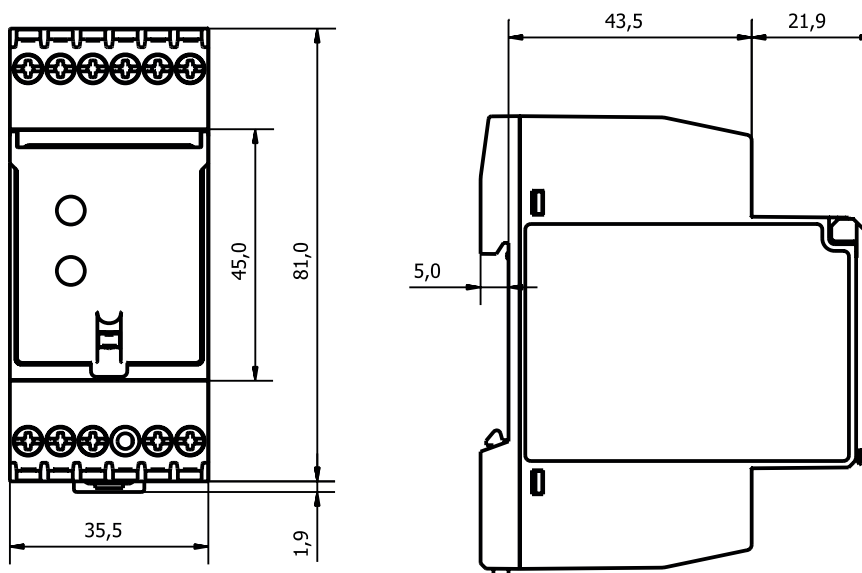


Element	Component	Function
A	Output 1	Main alarm SPDT relay output. 11 C, 12 NC, 14 NO
B	LED L6	Power ON GREEN LED
C	Test pushbutton	When pressed it will test the system integrity
D	LED L5	Alarm RED LED. It turns ON when current exceeds 80% of $I_{\Delta n}$
E	Reset pushbutton	Restores operation after an alarm has been triggered
F	LED L4	Warning YELLOW LED. Lit when leakage level exceeds 60% of set $I_{\Delta n}$
G	Power supply terminals	Power supply from 24VAC to 240VAC
H	Output 2	Warning alarm output. 21 C, 22 NC, 24 NO
I	LED L3	$\geq 60\% I_{\Delta n}$ LED Bar
J	Alarm set	$I_{\Delta n}$ current alarm threshold setting
K	LED L2	$\geq 40\% I_{\Delta n}$ LED Bar
M	Delay set	$\Delta t$ alarm delay setting from 0 to 5s
N	LED L1	$\geq 20\% I_{\Delta n}$ LED Bar
O	Sensor input	Input for external Core Balance Transformer (CTG)
P	Remote R/T	Input for remote R / T pushbutton (in conjunction with A2)

## Features

### General

<b>Material</b>	PA66 or Noryl
<b>Colour</b>	RAL7035 (light grey)
<b>Front cover material</b>	Transparent polycarbonate
<b>Sealing / locking</b>	Sealing slot
<b>Mechanical form type</b>	According to DIN 43880
<b>Assembly</b>	DIN rail mounting (according to EN 50022)
<b>Protection degree</b>	IP20
<b>Weight</b>	150 g
<b>Terminals</b>	Screw terminals. AWG30 to AWG12 (0.06 mm <sup>2</sup> to 3.3 mm <sup>2</sup> ) stranded or solid
<b>Tightening torque</b>	0.4Nm to 0.8Nm (from 4lb-in to 7lb-in)



### Power supply

<b>Voltage</b>	24 to 240 Vac $\pm$ 10%
<b>Frequency</b>	50 to 60 Hz $\pm$ 10%
<b>Consumption</b>	< 2.5 VA
<b>Typology</b>	Auxiliary power supply
<b>Overvoltage category</b>	III

## Environmental


<b>Working temperature</b>	-25° C to 60° C (-13° F to 140° F)
<b>Storage temperature</b>	-40° C to 80° C (-40° F to 176° F)
<b>Relative humidity</b>	5-95% non condensing
<b>Pollution degree</b>	2
<b>Operating max altitude</b>	2000 m amsl ( 6560ft )
<b>Salinity</b>	No saline environment
<b>UV resistance</b>	No UV exposure

## Vibration/Shock resistance

Test condition	Test	Level
Tests with the device outside the box	Vibration response (IEC60255-21-1)	Class 1
	Vibration endurance (IEC 60255-21-1)	Class 1
	Shock (IEC 60255-21-2)	Class 1
	Bump (IEC 60255-21-2)	Class 1
Tests with the device inside the box	Vibration random (IEC60068-2-64)	Class 1
	Shock (IEC 60255-21-2)	Class 1
	Bump (IEC 60255-21-2)	Class 1

Class 1: normal use in industrial plants, normal transportation condition

## Compatibility and conformity

<b>CE-marking</b>	Cover the European LV directive 2014/35/EU and EMC directive 2014/30/EU, auto-certification EN 60947-2 Annex M, EN 62020
<b>Approvals</b>	 UL508, CSA Standard C22.2 No. 14-10 – Industrial control equipment, RoHS Directive
<b>Other standards</b>	IEC TR 6075

## Inputs

### Current measuring input

<b>Typology</b>	Residual current measuring from Core Balance Transformer (CBT)
<b>Type</b>	A
<b>CBT type</b>	Only Carlo Gavazzi CTG family types can be used. Select model according to mains cable diameter
<b>Measuring ranges ( I<math>\Delta</math>n )</b>	DEB71DM24A5: 30mA, 100mA, 300mA, 500mA, 1A, 2A, 5A DEB71DM24A30: 300mA, 500mA, 1A, 2A, 5A, 10A, 30A
<b>Warning threshold</b>	60% I $\Delta$ n
<b>Alarm threshold</b>	80% I $\Delta$ n
<b>Overload ranges</b>	Same as measuring ranges I $\Delta$ n
<b>Resolution (% of the selected I<math>\Delta</math>n)</b>	2%
<b>Accuracy (% of the selected I<math>\Delta</math>n)</b>	10%
<b>Repeatability (% of the selected I<math>\Delta</math>n)</b>	2%
<b>Alarm delay setting <math>\Delta</math>t</b>	0, 0.1s, 0.3s, 0.5s, 1s, 3s, 5s On DEB71DM24A5 when 30mA I $\Delta$ n is selected, the time is forced to 0 in order to comply with EN 60947-2



## Remote Test/Reset input

<b>Typology</b>	Input for push-button on connectors Y1, A2
<b>Switching frequency</b>	≤ 1 Hz
<b>Logic levels</b>	Open state: >100kOhm Closed state: <100Ohm
<b>Refresh time</b>	≤ 500ms

## Outputs

Output 1	
<b>Typology</b>	Relay SPDT on contacts 11(C), 12(NC), 14(NO) <sup>(1)</sup> <b>AC1:</b> 5 A @ 250 VAC <sup>(2)</sup> <b>DC12:</b> 5 A @ 24 VDC <sup>(2)</sup> <b>AC15:</b> 2.5 A @ 250 VAC <b>DC13:</b> 2.5 A @ 24 VDC
<b>Electrical lifetime</b>	10 <sup>5</sup> operations @ 250 VAC resistive load
<b>Assignment</b>	Associated to MAIN alarm
<b>Logic</b>	Energised when MAIN alarm OFF
<b>Reaction time for 0.8*IΔn</b>	215 ms with Δt 0 s ( from CT variation detection to relay switching)
Output 2	
<b>Typology</b>	Relay SPDT on contacts 21(C), 22(NC), 24(NO) <sup>(1)</sup> <b>AC1:</b> 5 A @ 250 VAC <sup>(2)</sup> <b>DC12:</b> 5 A @ 24 VDC <sup>(2)</sup> <b>AC15:</b> 2.5 A @ 250 VAC <b>DC13:</b> 2.5 A @ 24 VDC
<b>Electrical life</b>	10 <sup>5</sup> operations @ 250 VAC resistive load
<b>Assignment</b>	Associated to WARNING alarm
<b>Logic</b>	Energised when WARNING alarm OFF
<b>Reaction time for 0.8*IΔn</b>	215 ms with Δt 0 s ( from CT variation detection to relay switching)

<sup>(1)</sup> Terminals are numbered, according to the EN60947-1, as fast acting even though they can be delayed by setting. Normally Open / Closed are intended when device is not powered.

<sup>(2)</sup> 5A is actually the connector current limit.

## Operating diagram

The DEB71 is a modular residual current device which is used to detect when a failure, of an electric circuit, causes a current leak to earth.

The mains cables are passed through an external CBCT (Core Balance Current Transformer), with the exception of the PE which has to be routed outside, as shown in the hereafter suggested connection diagram. Before starting the operation it is necessary to set the required leakage tripping current IΔn, between 30mA to 5A.

30mA is commonly used for protection of people against electrocution. 300mA and above are commonly used for protection of people when devices, with a lower threshold setting, are installed downstream, or to protect against fire hazard.

A delay up to 5s can also be set to avoid nuisance tripping due to mains transients or disturbances. Not advised for protection against electrocution.

Once the setting is completed, the front lid can be closed and sealed in order to prevent tampering.

### Normal operation

When the circuit is powered the green LED (L6) will turn ON. If the current flowing to the load/s through the lines is the same flowing back from the load/s, the resulting current on the CBCT output will be zero. All other LEDs are OFF, both output relays are energised, main breaker (K1) is closed.



### Alarm detection

In case of leak on the load or lines, the amount of current flowing back from the load is less than the one provided. This unbalancement causes a current flow on the CBCT output. The current is proportional to the leakage current.

If the leakage is below 20% of the set leakage threshold  $I\Delta n$ , no indication is provided. When the leakage exceeds 20% and is below 40% the green LED (L1) is lit. Above 40%, but still below 60%, the yellow LED (L2) is also lit. Above 60% L3 yellow LED is lit. At this level the warning signal goes off: LED L4 will light and output 2 relay is de-energised (terminal 21 closed on 22).

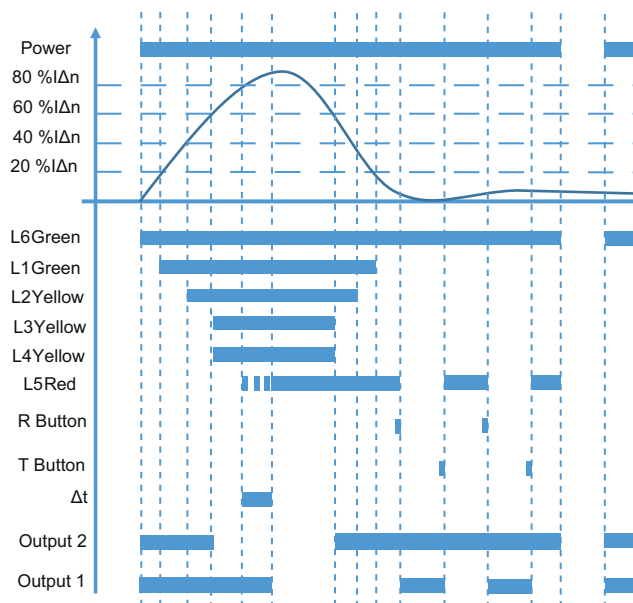
When the leakage rises above 80%, of the set threshold, ALARM goes off after  $\Delta t$  delay elapsing: red LED (L5) is lit, output 1 is de-energised (terminal 11 closed on 12). The main breaker (K1) will open, disconnecting the mains from the load/s.

### Reset

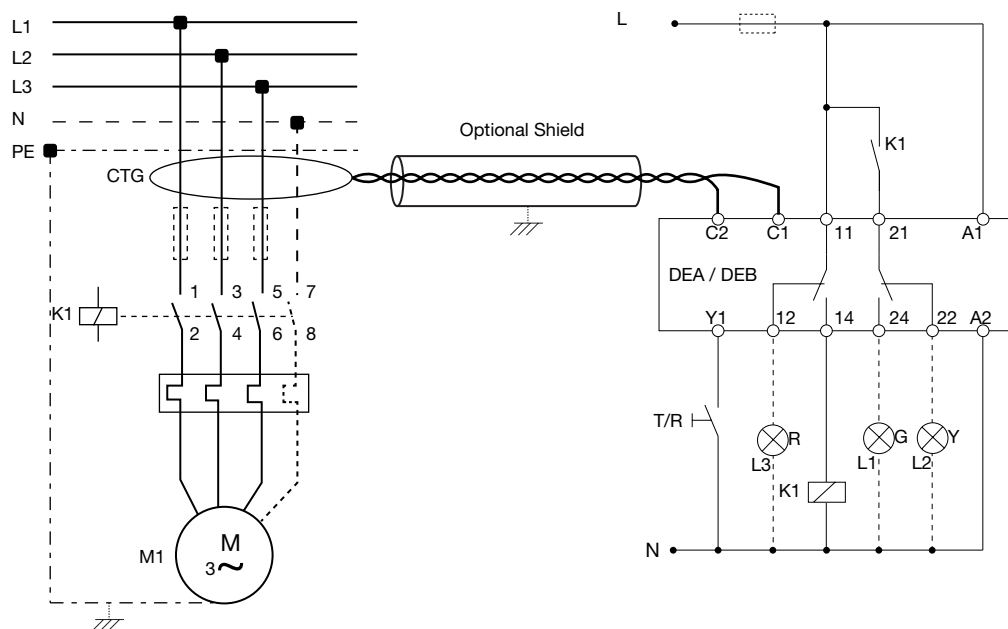
When the fault cause has been eliminated, operation can be restored by pressing the R pushbutton on the device front panel or by pressing the remote R/T pushbutton.

### Test

System integrity has to be periodically tested by pressing the T pushbutton on the device front panel. It is also possible by pressing the remote R/T pushbutton for more than 2s.



## Connection Diagrams



## References

### Order code

 **DEB71DM24A5**

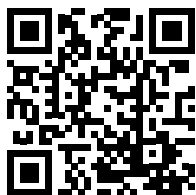
Adjustable current from 30mA to 5A

 **DEB71DM24A30**

Adjustable current from 300mA to 30A

### CARLO GAVAZZI compatible components

Purpose	Component name/code key	Notes
Core balance transformer, hole $\varnothing$ 35 mm	CTG035	
Core balance transformer, hole $\varnothing$ 50 mm	CTG050	
Core balance transformer, hole $\varnothing$ 70 mm	CTG070	
Core balance transformer, hole $\varnothing$ 120 mm	CTG120	
Core balance transformer, hole $\varnothing$ 160 mm	CTG160	
Core balance transformer, hole $\varnothing$ 210 mm	CTG210	



COPYRIGHT ©2016  
Content subject to change. Download the PDF: [www.productselection.net](http://www.productselection.net)