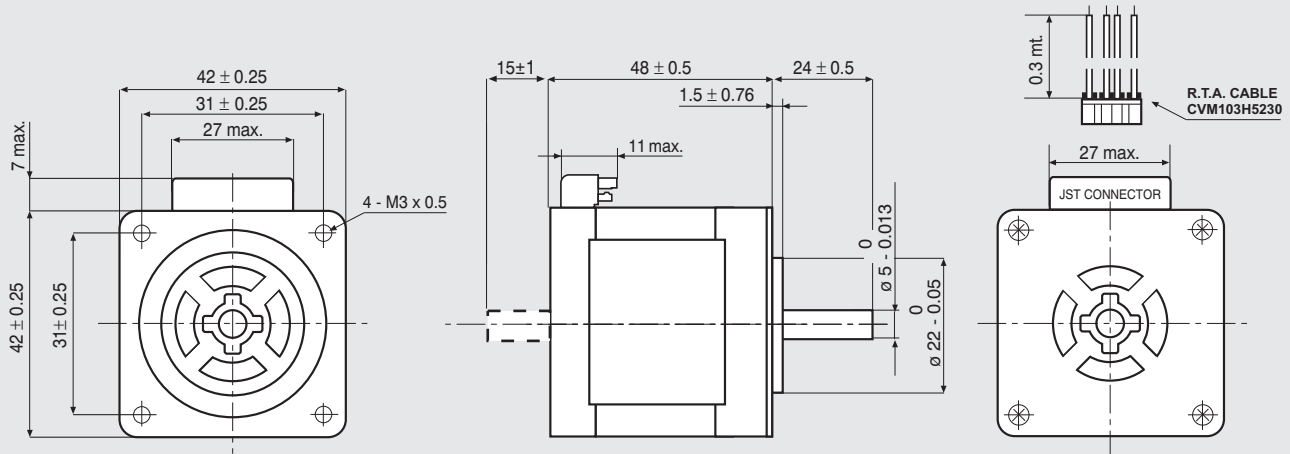


103-H5210-4541

SANYO DENKI
SANMOTION

Dimensions (Unit:mm)



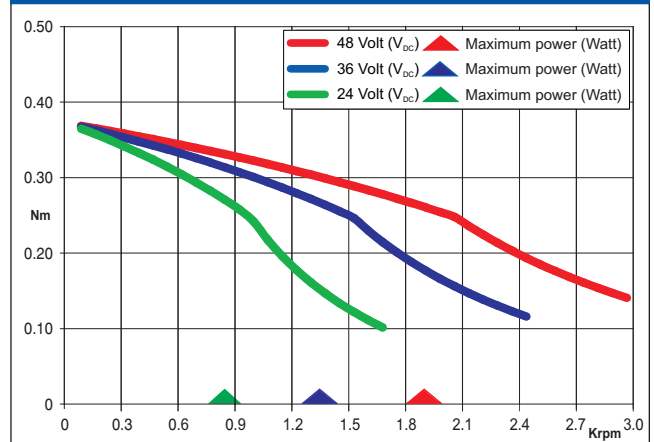
MOTOR CONNECTOR IS JST mod. B6B-EH K 6 POLES MALE.
FOR CONNECTION USE JST mod. EHR-6 FEMALE CONNECTOR AND
mod. SEH-001 T-P0.6 CONTACTS.
NOTE: 103-H5210-4541/4512 MOTORS NEED CVM103H5230 R.T.A.
CABLES. CONTACT R.T.A. FOR FURTHER DETAILS.

FEATURES

MODEL	103-H5210-4541 (103-H5210-4512)
BASIC STEP ANGLE	$1.8^\circ \pm 0.09^\circ$
BIPOLAR CURRENT (Amp)	2.0
UNIPOLAR CURRENT (Amp)	
RESISTANCE (Ohm)	1.25
INDUCTANCE (mH)	2.4
BIPOLAR HOLDING TORQUE (Ncm)	51
UNIPOLAR HOLDING TORQUE (Ncm)	
ROTOR INERTIA ($\text{Kg} \cdot \text{m}^2 \times 10^{-7}$)	74
THEORETICAL ACCELERATION ($\text{rad} \times \text{sec}^{-2}$)	69000
BACK E.M.F. (V/Krpm)	25
MASS (Kg)	0.35
LEADS CODE	V

Codes between brackets refer to double shaft models.
Le sigle fra parentesi si riferiscono ai modelli bialbero.

TORQUE/SPEED CURVE



R.T.A. s.r.l. PAVIA (ITALY) SANYO DENKI CO., Ltd (JAPAN)



EIMC - 10 - 14

Suggested R.T.A. driver: BSD Series, CSD/A-CSD Series, NDC/A-NDC Series, HGD Series.



R.T.A. s.r.l.
Via E. Mattei - Fraz. Divisa
27020 MARCIGNAGO (PV) ITALY
Tel. +39.0382.929.855 - Fax +39.0382.929.150
www.rta.it

R.T.A. Deutschland GmbH
Bublitzer Straße 34
40599 DÜSSELDORF (Germany)
Tel. +49.211.749.668.60 - Fax +49.211.749.668.66
www.rta-deutschland.de

R.T.A. IBERICA-Motion Control Systems S.L.
C/Generalitat 22, 1º 3º
08850 GAVA - BARCELONA (Spain)
Tel. +34.936.388.805 - Fax +34.936.334.595
www.rta-iberica.es