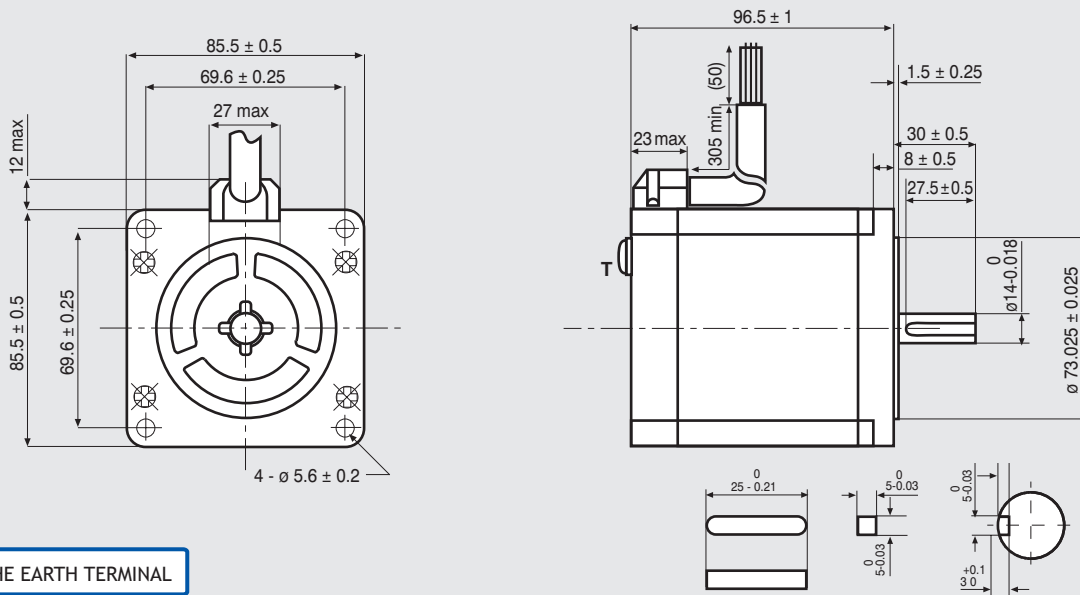


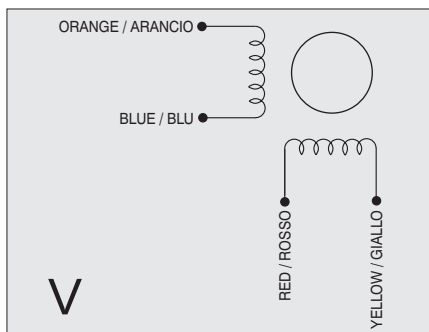
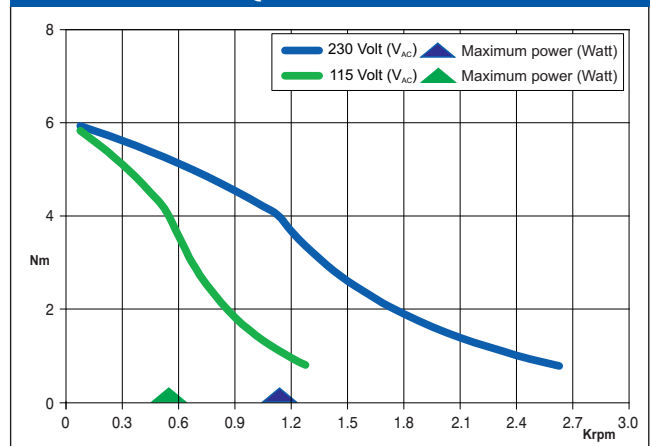
## Dimensions (Unit:mm)



## FEATURES

MODEL	SM 2862-5055	
BASIC STEP ANGLE	1.8° ± 0.09°	
BIPOLAR CURRENT	(Amp)	2.0
RESISTANCE	(Ohm)	3.2
INDUCTANCE	(mH)	25
BIPOLAR HOLDING TORQUE	(Ncm)	700
ROTOR INERTIA	(Kgm <sup>2</sup> × 10 <sup>-7</sup> )	3000
THEORETICAL ACCELERATION	(rad × sec. <sup>-2</sup> )	23300
BACK E.M.F.	(V/Krpm)	350
MASS	(Kg)	2.9
INTERNATIONAL STANDARDS	UL, CSA	
INSULATION VOLTAGE	(V)	250 V <sub>AC</sub> (350 V <sub>DC</sub> )
PROTECTION DEGREE	IP43-F	
LEADS CODE	V	

## TORQUE/SPEED CURVE



R.T.A. s.r.l. PAVIA (ITALY) SANYO DENKI CO., Ltd (JAPAN)

EMC - 10 - 14

Suggested R.T.A. driver: X-PLUS B Series, X-MIND Series.



R.T.A. s.r.l.  
Via E. Mattei - Fraz. Divisa  
27020 MARCIGNAGO (PV) ITALY  
Tel. +39.0382.929.855 - Fax +39.0382.929.150  
www.rta.it

R.T.A. Deutschland GmbH  
Bublitzer Straße 34  
40599 DÜSSELDORF (Germany)  
Tel. +49.211.749.668.60 - Fax +49.211.749.668.66  
www.rta-deutschland.de

R.T.A. IBERICA-Motion Control Systems S.L.  
C/Generalitat 22, 1° 3°  
08850 GAVA - BARCELONA (Spain)  
Tel. +34.936.388.805 - Fax +34.936.334.595  
www.rta-iberica.es