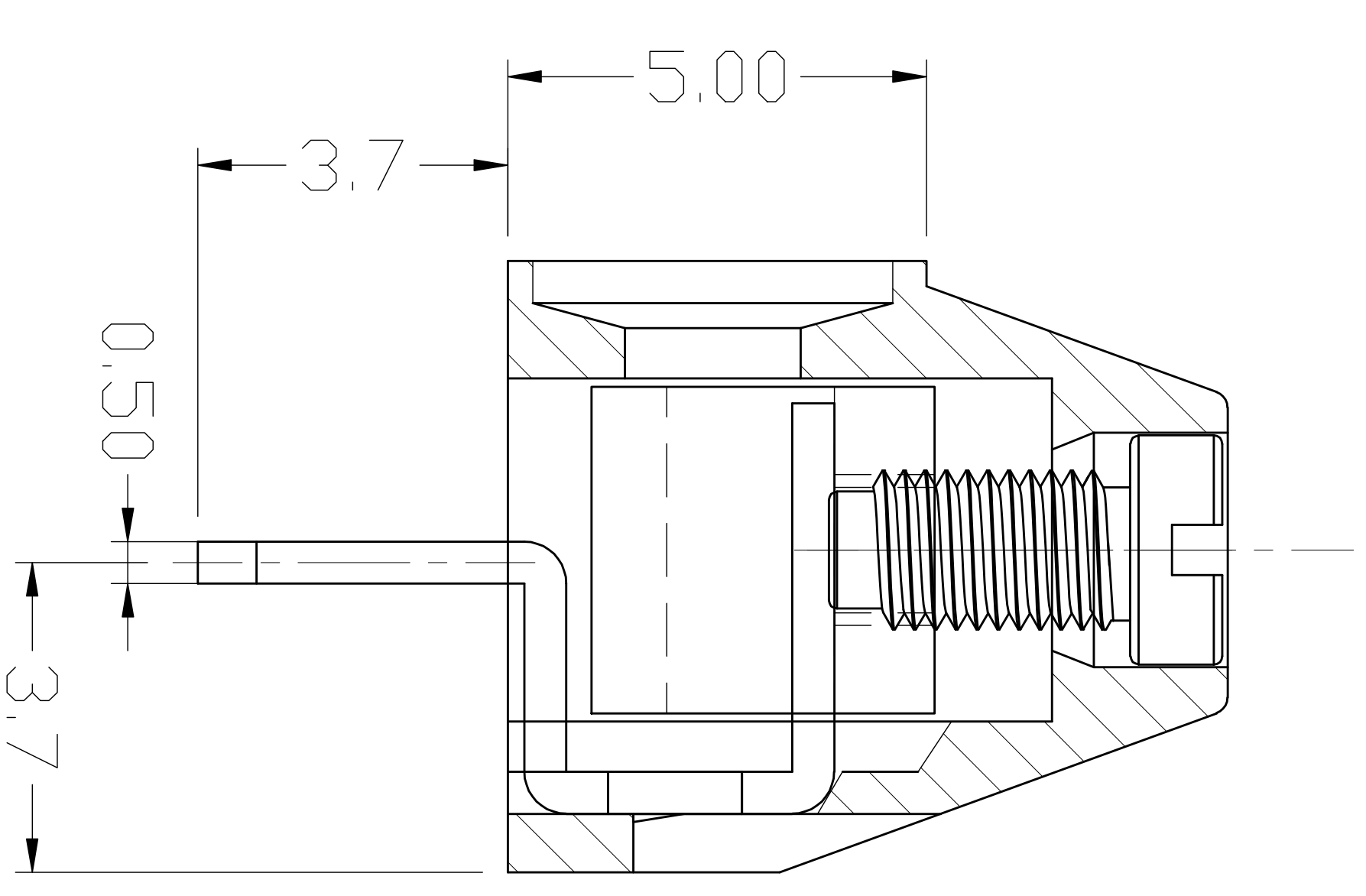
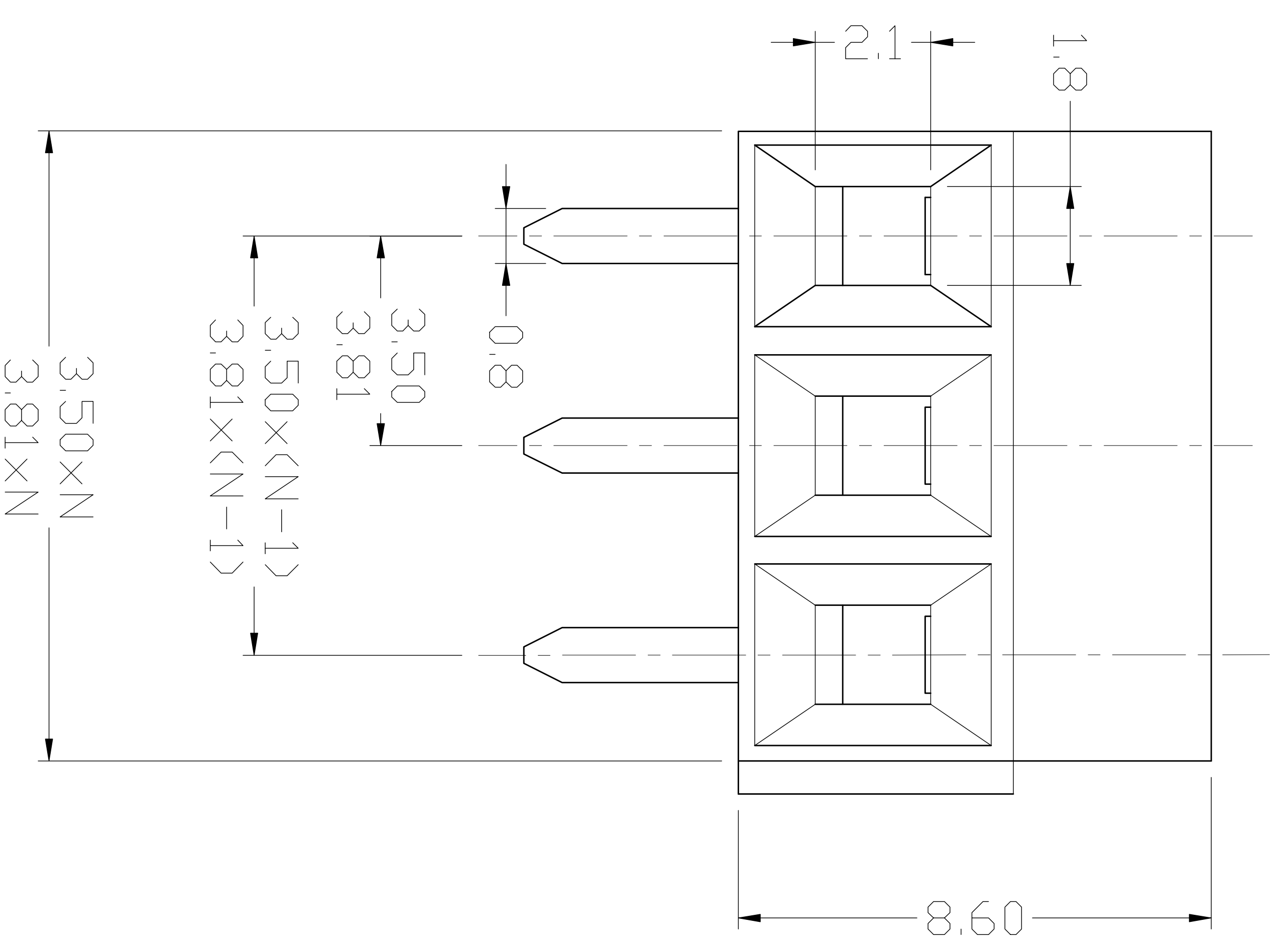
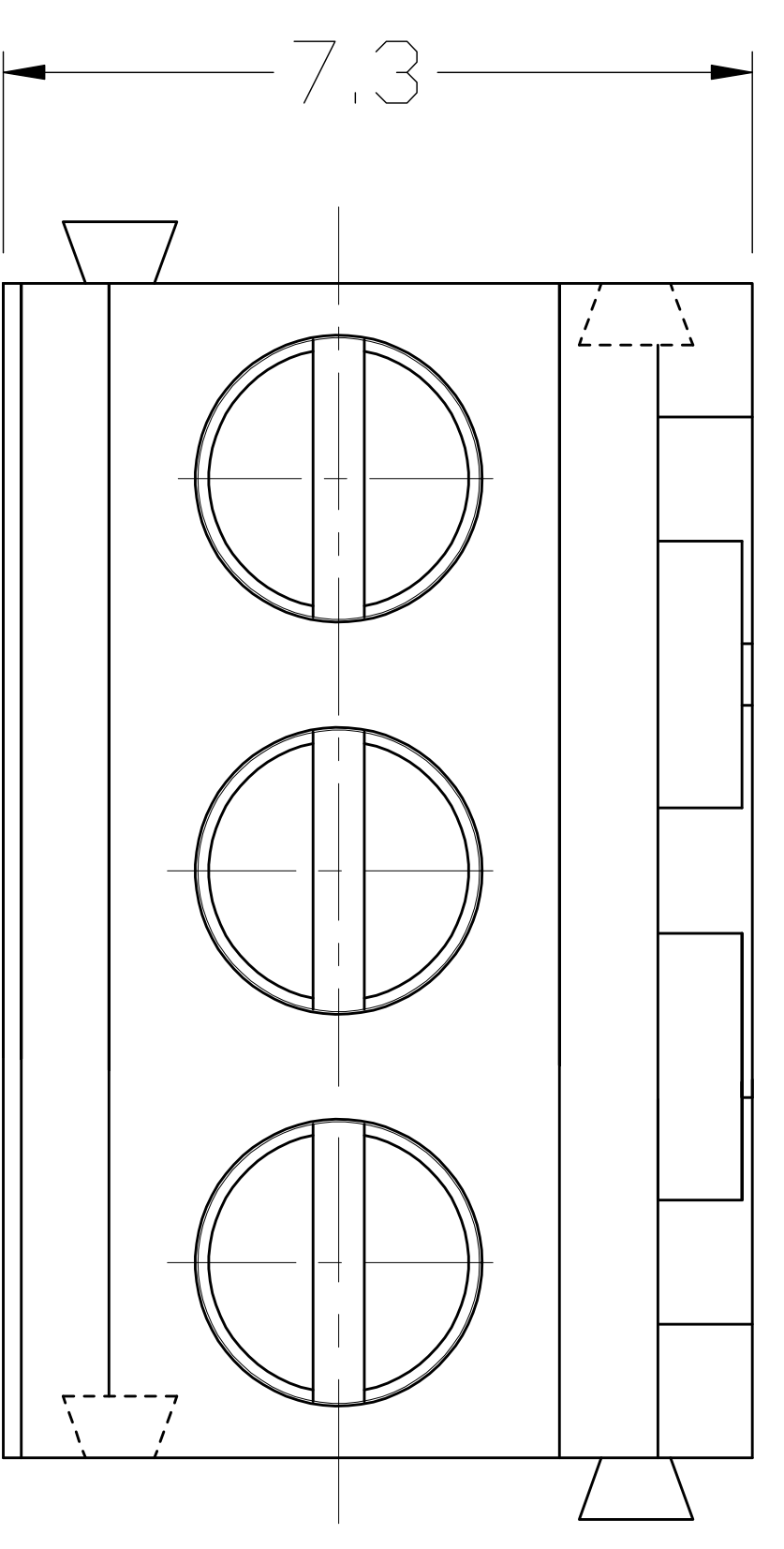


REV.	DESCRIPTION	DRAWN	CHECKED	APPROVED

- Material
Screws : M2.0 Steel zinc plated
Contact : Brass Ni plated
Pin header : Brass, Tin plated
Housing : PA66, UL94V-0

- Electrical
Rated Voltage : 150V
Rated Current : 10A
Contact Resistance : 20mΩ
Insulation Resistance : 5000MΩ/1000V
Withstanding Voltage : AC1500V/1Min
Wire Range : 26-16AWG 1.0mm²

- Mechanical
Temp. Range : -40°C ~ +105°C
MAX Soldering : +250°C, For 5 Sec.
Torque : 0.2Nm (1.81lb.in)
Strip length: 5-6mm



GENERAL TOLERANCE	ANGLE TOLERANCE
X. ±0.60 .X ±0.38 .XX ±0.25	X. ±5° .X ±3° .XX ±2°
DRAWING TYPE	COMPONENTS
SCALE	1:1 SHEET 1 OF 1
DRAWING NO.	

PROJECTION	⊕	TITLE	EURO TERMINAL BLOCKS
UNITS	mm		PITCH3.5/3.81MM
SHEET SIZE	A4	SERIES	KF124 SERIES

DF 慈溪市凯峰电子有限公司
KAIFENG ELECTRONIC CO.,LTD