

Proximity Magnetic Sensors Cylindrical Housing FM Series

CARLO GAVAZZI



- Cylindrical and plastic, brass or nickel plated brass housing
- M10, M12, Ø 9.3 diameter
- NO, NC or CO output functions
- Front side switching

Product Description

The cylindrical proximity magnetic sensors of the FM series are available in different versions with plastic or brass housing, different dimensions and output contacts. The models can be

mounted directly on ferromagnetic supports as well; in this situation a reduction in the operating distance may occur due to a loss of magnetic field.

Ordering Key

FM C 3 S1

Type _____
 Output function _____
 Reed contact type _____
 Special version _____

Type Selection

Housing diameter	Connection	Output function	Reference
Ø 9.3	PVC cable L= 0.5m	NO	FM A 3
M10	PVC cable L= 2m	NO	FM A 3 S5
M10	PVC cable L= 2m	NO	FM A 6
M12	PVC cable L= 2m	NO	FM A 9 S1
Ø 9.3	PVC cable L= 0.5m	NC	FM C 3
M12	PVC cable L= 2m	NC	FM C 3 S1
Ø 9.3	PVC cable L= 0.5m	CO	FM S 1

Diameters are specified in millimeters (mm)

Output Specifications

Output FMA3, FMA3S5, FMA6, FMA9S1 FMC3, FMC3S1 FMS1	NO NC Change-over
Contact ratings Max Switching Voltage FMA3, FMA3S5, FMC3, FMC3S1 FMS1 FMA6 FMA9S1	500 VAC 100 VAC 100 VAC 230 VAC/DC
Max Switching Current FMA3, FMA3S5, FMC3, FMC3S1 FMS1 FMA6 FMA9S1	0.5 A 0.25 A 0.5 A 3 A
Max Switching Power FMA3, FMA3S5, FMC3, FMC3S1 FMS1 FMA6 FMA9S1	5 VA 100 VA 100 VA 60 VA

General Specifications

Operating distance	See Operating Distance table
Suitable magnetic unit	See Operating Distance table
Operating temperature	-25 to +70 °C
Degree of protection	IP 67
Housing Diameter FMA3, FMC3, FMS1 FMC3S1, FMA9S1 FMA3S5, FMA6 Material FMA3, FMC3, FMS1 FMA6 FMA3S5, FMC3S1, FMA9S1	Ø 9.3 mm M12 x 1 mm M10 x 0.75 mm Plastic Nickel plated brass Brass
CE-marking	Yes

Operating Distance

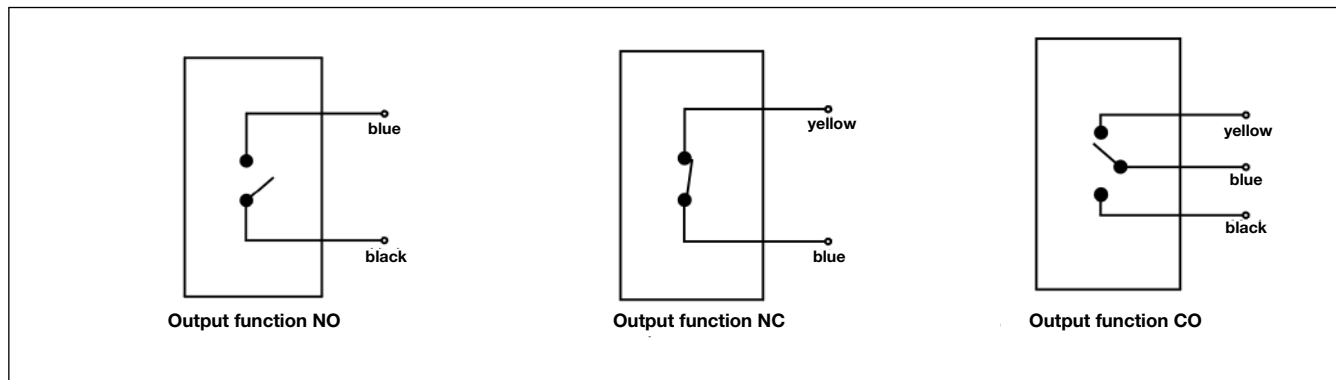
Magnetic Units	CL10	CL11	CL18	CL20S1	CL20S3	CL23	CL31
FMA3, FMS1	11	25	9	20	19	15	25
FMA6	16	36	15	30	28	23	33
FMA9S1	-	-	-	-	20	-	-
FMC3	8	20/4*	7	17/2*	16/1*	12/0.5*	20/4*
FMA3S5	9	23	7	18	17	13	23
FMC3S1	6	18/2*	5	15/2*	14/1*	10/1*	18/2*

Distances are specified in millimeters (mm)

xx/xx: operating distance (for all Output functions); xx/xx*: reswitching contact distance.

Outside the above mentioned range, the sensor maintains the initial state.

Wiring Diagrams



Dimensions

