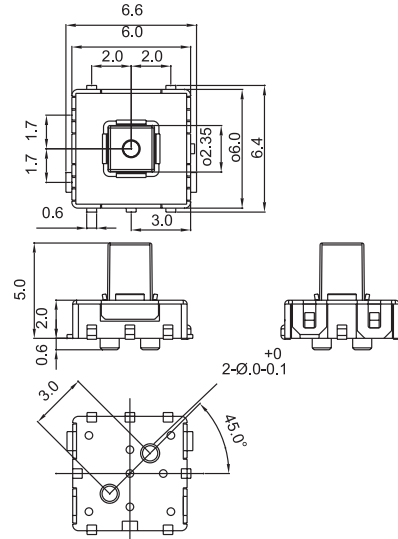




B8 SERIES

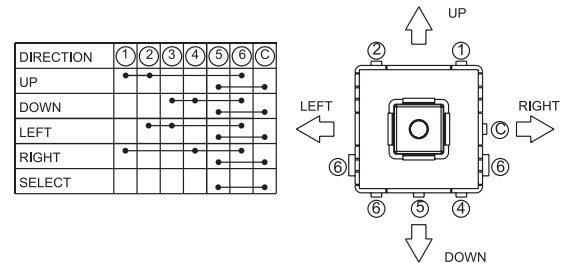
DIMENSIONS (Unless otherwise specified, a tolerance of ± 0.4 mm applies to all dimensions.)



SPECIFICATIONS

Contact Resistance (initial).....Max. 200m Ω
 Insulation Resistance (at 250VDC/minute).....Min. 100M Ω
 Storage Temperature Range..... -40°C to 85°C
 Storage Humidity.....at 40°C, Max. 95% R.H
 Electrical Service Life..... Min.200,000 operations
 Electrical Operating Frequency.....120 operations per minute.

CONTACT CONFIGURATION



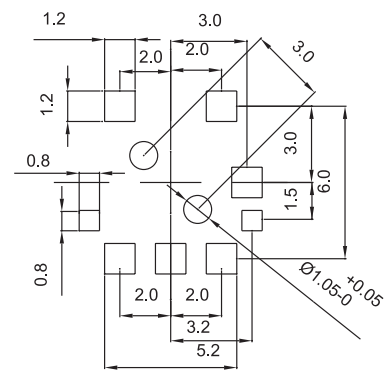
RATING

50mA 24 VDC

APPLICATION

DSC, Mobile Phone

P.C.B MOUNTING HOLES



ORDERING INFORMATION

