

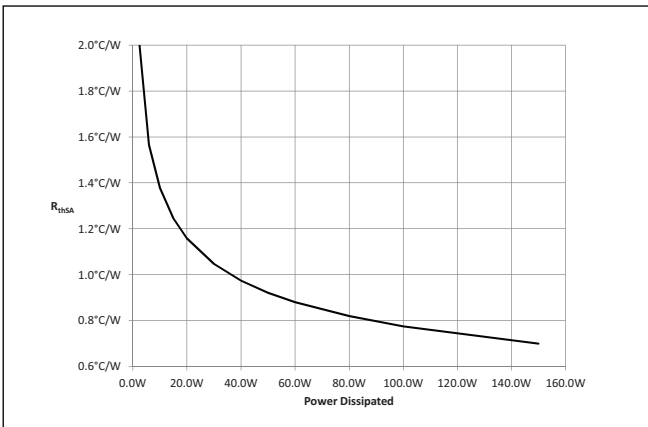
# Solid State Relays Accessories, Heatsinks Types RHS301, RHS301D

CARLO GAVAZZI



- 0.82 °C/W thermal resistance
- Suitable for mounting of 1-phase or 3-phase SSRs
- Din rail mounting
- Dimensions W x H x D: 119 x 82 x 94 mm
- RoHS compliant

## Thermal Resistance Curve



## Ordering Key

RHS301

RHS301D

## Product Description

Heatsink assembly suitable for mounting of maximum 3x 1-phase solid state relay (SSR) or 1x 3-phase SSR.

Suffix H2 added to SSR part no. refers to factory mounted heatsink. Conditions apply. Please ask your Sales representative for further details.

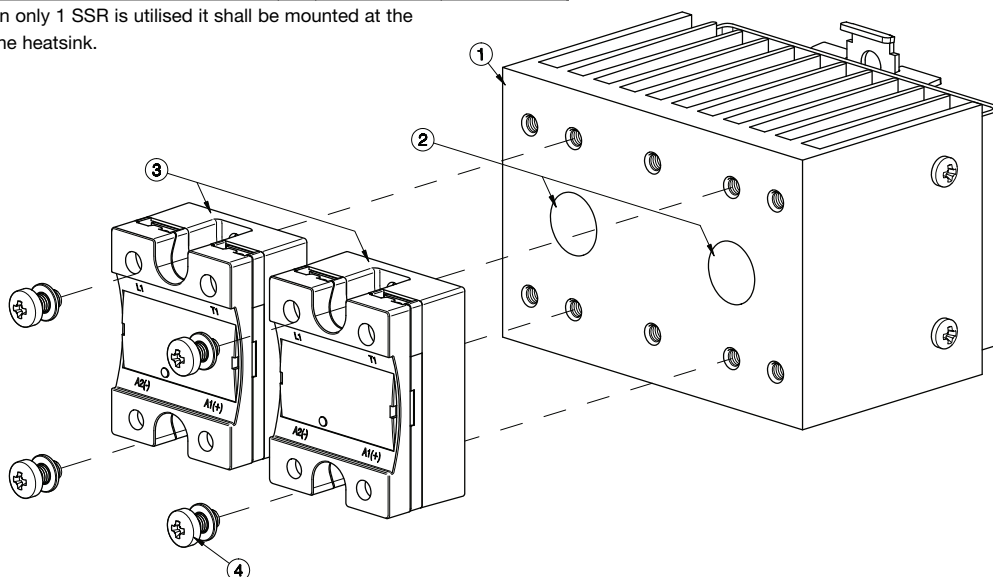
## Heatsink Assembly

Components for assembly	Qty	RHS301	RHS301D
1 RHS301 Heatsink Assembly	1	Provided	Provided
2 Thermal Compound HTS02S	1	Provided	Not Provided
3 1-phase SSR 45x59mm (max.)	2	Not Provided	Not Provided
4 M5x10mm PZ2 + Washer (per SSR)	2	Provided (x4)	Provided (x4)

Dimensions including the SSR



Note: When only 1 SSR is utilised it shall be mounted at the centre of the heatsink.



# Heatsink Assembly

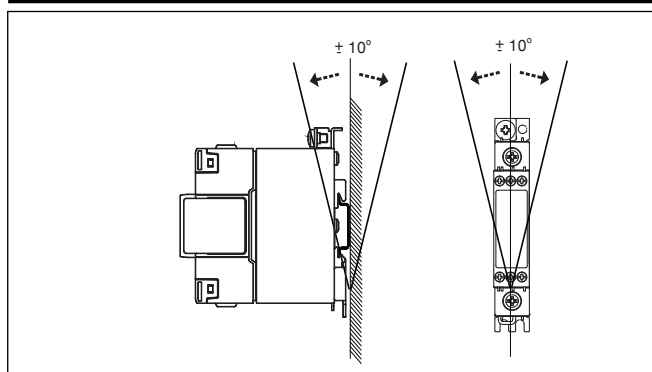
Components for assembly	Qty	RHS301	RHS301D
1 RHS301 Heatsink Assembly	1	Provided	Provided
2 Thermal Compound HTS02S	1	Provided	Not Provided
3 3-phase SSR 104x74mm	2	Not Provided	Not Provided
4 M5x10mm PZ2 + Washer (per SSR)	4	Provided (x4)	Provided (x4)

Dimensions including the SSR

## General Specifications

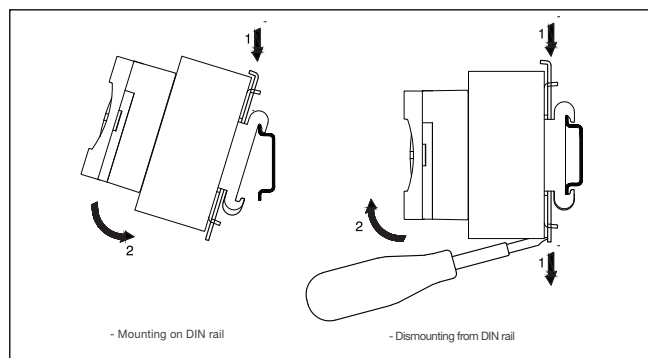
SSR max. mounting torque	1.5Nm (13.3 lb-in)
Weight (excl. SSR)	approx. 805g
Material	Aluminium
Finish	Black anodization
Fan mounting	refer to models: RHS301F115C or RHS301F230C

## Mounting Position



Illustrations are for example only

## Installation



## Recommended Maximum Current Rating (per SSR)

### Notes:

- The below recommendations are only valid when the assembly (SSR + heatsink) is mounted as shown in the mounting instructions unless otherwise indicated.
- The indicated ratings are applicable to one SSR, one pole. Please refer to the online selector tool at [www.productselection.net](http://www.productselection.net) for different load currents, surrounding temperatures or multiple units on one heatsink.
- These recommendations are applicable only with the indicated Carlo Gavazzi thermal interface material between SSR and heatsink. In case a different thermal interface is utilised these recommendation may no longer be valid.

Thermal interface = Thermal compound, **HTS02S**

1x 1-phase SSR	Surrounding temperature							
	°C	20	30	40	50	60	70	80
	°F	68	86	104	122	140	158	176
RD..	1	1	1	1	1	1	1	n/a
	5	5	5	5	5	5	5	n/a
RA..L RA..T	10	10	10	10	10	10	10	n/a
	25	25	25	23.5	20.5	17.5	14	n/a
RA..	25	25	25	25	23.5	19	14.5	n/a
	50	47	44	38	32	26	19.5	n/a
	90	63.5	59.5	51.5	43	34.5	26	n/a
	110	72.5	68	58	48.5	38.5	29	n/a
RA60..	50	46	43.5	38	32	26	20	n/a
RA2A..*	25	25	25	25	24	20	13.5	n/a
	40	36.5	34.5	30.5	27	22	14.5	n/a
	25M	25	25	25	24	20	13.5	n/a
	40M	37	35.5	31.5	27.5	22	14.5	n/a
RS1A..	10	10	10	10	10	8	5.5	n/a
	25	25	25	25	25	25	20.5	n/a
	40	40	40	40	40	32	22	n/a
RS1A..E	25	24	22.5	19.5	17	14.5	11.5	n/a
	40	29	27	24	20.5	17	14	n/a
RM1A.. RM1B.. RM1C..	25	25	25	25	25	25	20.5	n/a
	50	50	50	50	41.5	32	22	n/a
	75	75	73	63	50.5	38.5	26.5	n/a
	100	89.5	83	69.5	55.5	41.5	28.5	n/a
RM1A60.. RM1B60.. RM1C60.. RM1E60..	50	50	49	44	39	32.5	22.5	n/a
RAM1A.. RAM1B.. RM1E..	25	25	25	25	25	25	20.5	11.5
	50	50	50	50	41.5	32	22	12.5
	75	75	73	63	50.5	38.5	26.5	14.5
	100	77	73	63	50.5	38.5	26.5	14.5
	125	89.5	83	69.5	55.5	41.5	28.5	15.5

\* per pole

Thermal interface = Thermal compound, **HTS02S**

Ratings per pole

1x 3-phase SSR	Surrounding temperature							
	°C	20	30	40	50	60	70	80
	°F	68	86	104	122	140	158	176
RZ3A..	25	25	24	21	17.5	13	8	3.5
	55	34.5	33	28	22.5	16.5	11	6
	75	42.5	39.5	33.5	27	21	15	9

Thermal interface = Thermal pad, **KK071CUT**

1x 1-phase SSR	Surrounding temperature							
	°C	20	30	40	50	60	70	80
	°F	68	86	104	122	140	158	176
RD..	1	1	1	1	1	1	1	n/a
	5	5	5	5	5	5	5	n/a
RA..L RA..T	10	10	10	10	10	10	10	n/a
	25	25	23.5	21	18	15.5	12.5	n/a
RA..	25	25	25	25	21.5	17.5	13.5	n/a
	50	41.5	39	33.5	28.5	23	17.5	n/a
	90	52	49	42	35.5	28.5	21.5	n/a
	110	58.5	54.5	47	39.5	31.5	23.5	n/a
RA60..	50	41	38.5	33.5	28.5	23	18	n/a
RA2A..*	25	25	25	24.5	21.5	18.5	14	n/a
	40	32.5	31	27.5	24	20.5	15	n/a
	25M	25	25	24.5	21.5	18.5	14	n/a
	40M	33	31.5	28	24.5	21	15	n/a
RS1A..	10	10	10	10	9	7.5	5.5	n/a
	25	25	25	25	25	23.5	16.5	n/a
	40	40	40	40	33	25.5	17.5	n/a
RS1A..E	25	21	20	18	15	12.5	10.5	n/a
	40	25	23.5	21	17.5	15	12	n/a
RM1A.. RM1B.. RM1C..	25	25	25	25	25	23.5	16.5	n/a
	50	50	47.5	40.5	33	25.5	17.5	n/a
	75	59.5	55	46.5	38	29	20	n/a
	100	65.5	60.5	51	41	31.5	21.5	n/a
RM1A60.. RM1B60.. RM1C60.. RM1E60..	50	45.5	43	39	33.5	26	18.5	n/a
RAM1A.. RAM1B.. RM1E..	25	25	25	25	25	23.5	16.5	9.5
	50	50	47.5	40.5	33	25.5	17.5	10
	75	59.5	55	46.5	38	29	20	11.5
	100	59.5	55	46.5	38	29	20	11.5
	125	65.5	60.5	51	41	31.5	21.5	12

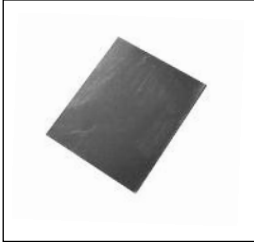
Thermal interface = Thermal pad, **RZHT**

1x 3-phase SSR	Surrounding temperature							
	°C	20	30	40	50	60	70	80
	°F	68	86	104	122	140	158	176
RZ3..	25	22.5	21.5	18.5	16	13	8.5	3.5
	55	30.5	29	26	22.5	17.5	11.5	6.5
	75	41.5	39.5	34	27.5	21.5	15	9.5

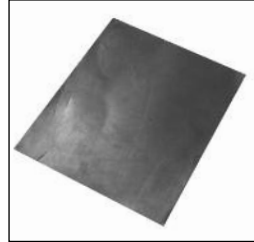
## Accessories

---

### Thermal Pads



- Ordering key: **KK071CUT**
- Packing qty. 50 pcs.
- Suitable for 1-phase SSRs
- Dimensions: 35 x 43mm



- Ordering key: **RZHT**
- Packing qty. 10 pcs.
- Suitable for 3-phase SSRs
- Dimensions: 70 x 77mm

### Thermal Compound



- Ordering key: **HTS02S**
- 2ml syringe of silicone based thermal compound

### Fans



- Ordering key: **RHS301F115**
- Fan 120x120mm w. bracket, 115VAC
- Ordering key: **RHS301F230**
- Fan 120x120mm w. bracket, 230VAC

### Screw Kits



- Ordering key: **SRWKITM5X10MM**
- M5x10mm PZ2 screws + washers
- Packing qty. 20pcs.