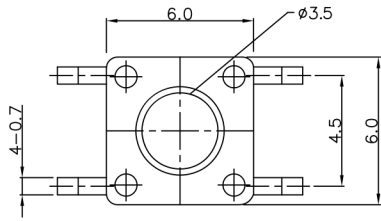
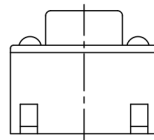
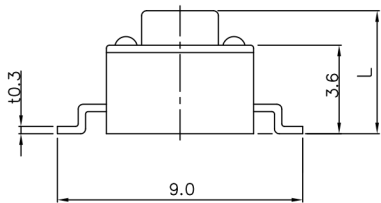


TACT SWITCH (SMD TYPE)

STP-1238

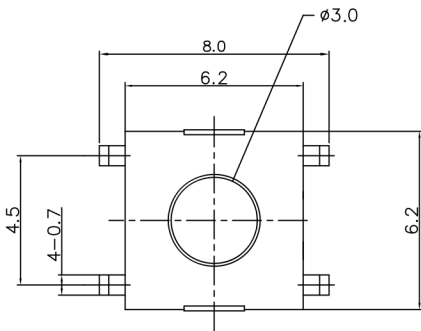


1. Rating : DC 12V, 50mA
2. Travel : 0.25±0.1m/m
3. Contact Resistance : 100mΩ Max.
4. Operating Force : 160±50gf

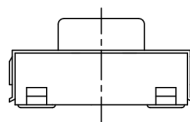
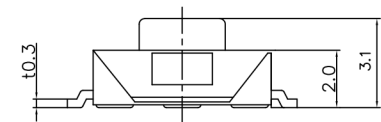
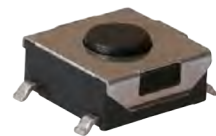


Model No.	STP 1238	STP 1238A	STP 1238H	STP 1238B	STP 1238C	STP 1238D	STP 1238E	STP 1238F	STP 1238G
L	4.3	5.0	6.0	9.5	8.0	13.0	7.3	8.5	7.0

STP-1122

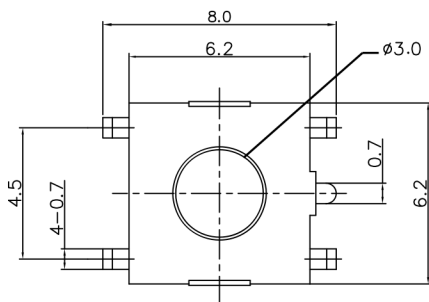


1. Rating : DC 15V, 50mA
2. Travel : 0.25±0.1m/m
3. Operating Force : 160±30gf
4. Contact Resistance : 100mΩ Max.
5. Life : 80,000 Cycles

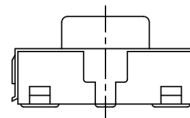
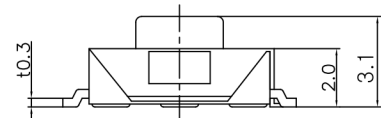
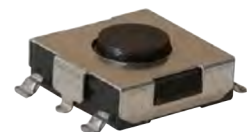


Model No.	Operating Force
STP 1122	160gf
STS 1122W	250gf

STP-1122A



1. Rating : DC 12V, 50mA
2. Travel : 0.25±0.1m/m
3. Operating Force : 160±50gf
4. Contact Resistance : 100mΩ Max.
5. Life : 80,000 Cycles



Model No.	Operating Force
STP 1122A	160gf
STS 1122AW	250gf