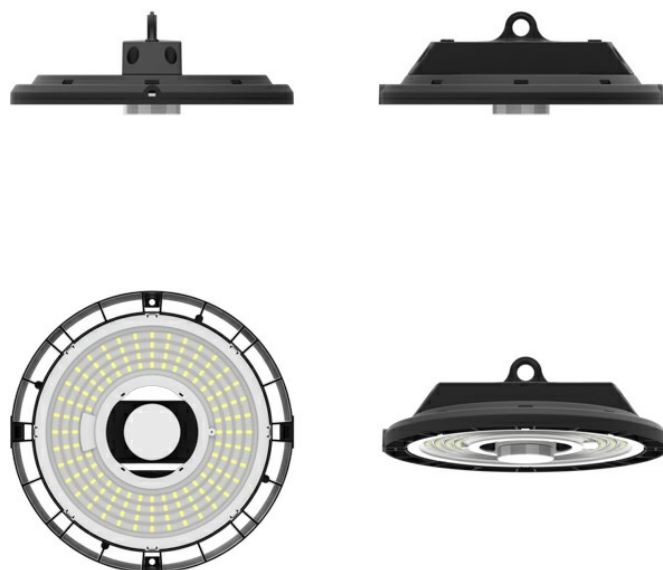


## A+ 150 C/EW



<b>Part number</b>	3111275
<b>Lampholder:</b>	LED
<b>Light Source:</b>	LED
<b>Wattage:</b>	150 W
<b>Finish:</b>	BK-RAL9005 / Black RAL9005 / Textured
<b>Insulation class:</b>	I
<b>Degree of protection:</b>	IP65
<b>IK-J-xxIP:</b>	IK08 5J xx5
<b>CRI:</b>	80
<b>Kelvin:</b>	4000
<b>Power factor:</b>	COSφ ≥ 0,9
<b>Optic:</b>	Extra wide circle reflector
<b>Lightsource lumen output:</b>	24000 lm
<b>Luminaire lumen output:</b>	20713 lm
<b>L:</b>	L80
<b>B:</b>	B10
<b>Lifetime:</b>	60000 h
<b>Ta MIN luminaire:</b>	-40°
<b>Ta MAX luminaire:</b>	45°

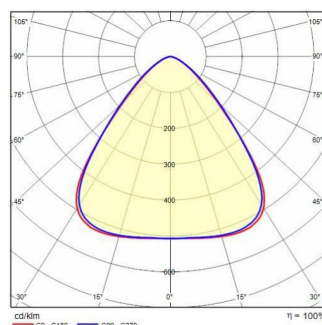


### Description

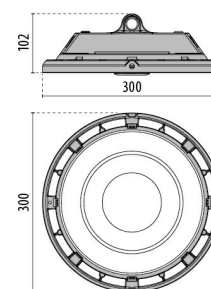
Suspended LED luminaire for indoor and outdoor industrial applications, comprising:

- Die-cast aluminium housing and trim painted with polyester powder coating after chemical conversion surface treatment
  - Diffuser with integrated louvre in UV, heat stabilised, transparent technopolymer
  - High resiliency anti-ageing silicone gasket with high elastic return capacity
  - 4000 K multichip LED board
  - Stainless steel locking screws
  - Suspension hook in painted aluminium with safety screw
  - Complete with cable H05RN-F
  - Built-in driver
- Options:
- Painted steel bracket
  - Infrared remote control for sensor module
  - Photometric data measure according to UNI EN 13032-4 and IES LM-79-08
  - Photometric data measure according to UNI EN 13032-4 and IES LM-79-08

### Photometric data



### Technical drawings



## OPTIONAL ACCESSORIES

### A+



3111282  
Fixing bracket A+150  
Black RAL9005

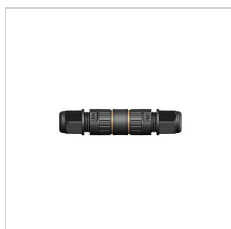
### A+ 100 / A+ 150 / A+ 200



3111277  
Microwave motion sensor



3111278  
Remote control A+



3111279  
DALI converter