

GUELL 3



Scan the QR-code for the latest information

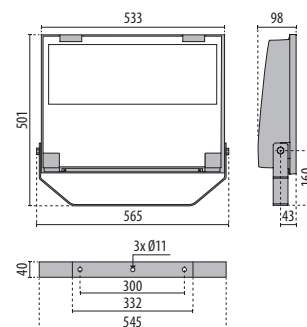
■ GR-94 / Metallic grey / Textured

LED floodlight for indoor and outdoor, comprising:

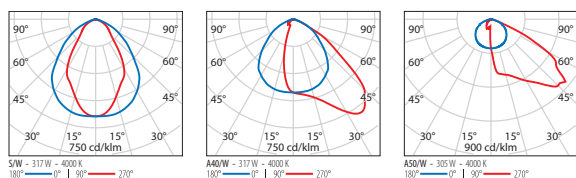
- Die-cast aluminium housing, polyester powder coat finish ISO 9227/12944 - ISO 9223 (C5)
- Extra clear, toughened, flat glass diffuser
- High-performance polished, oxidised, iridescence-free, aluminium reflector (Al 99.99)
- Anti-ageing custom moulded silicone sealing gasket(s)
- Cable gland M20x1.5 for cables Ø 10- Ø 14 mm
- High asymmetrical distributions low-glare optic options available (A50/W versions)
- Stainless steel locking hardware
- Fully integrated stainless steel aluminium spring clips
- Powder-coated steel tilttable bracket
- Integral surge protection device (SPD) against mains overvoltages up to 10 kV (CM/DM)
- Openable and maintainable luminaire (future-proof)
- Consult factory for dimmable DALI versions with remote supply unit, up to a 50-metre maximum distance (A50/W models only)
- Other colour temperatures (CCT) and colour rendering index (CRI) options available. Consult factory
- Photometric data measure according to UNI EN 13032-4 and IES LM-79-08
- Design by GIORGIO LODI



Ice palace - De Westfries - Hoorn - Nederland



Identifying and classifying our optics



GUELL 3 S/W

IP66 - IK07 - 650 °C

| LUMINAIRE WATTAGE (W) | CLASS | ENEC | CRI | KELVIN | OPTIC | BEAM ANGLE | LIGHTSOURCE LUMEN OUTPUT (lm) | LUMINAIRE LUMEN OUTPUT (lm) | COLOUR / FINISH | PART NUMBER |
|---|-------|------|-----|--------|-------|------------|-------------------------------|-----------------------------|-----------------|----------------|
| Power LED 220-240 V 50/60 Hz | | | | | | | | | | |
| 291 | I | - | 80 | 4000 | S/W | - | 43015 | 38812 | ■ | 3116972 |
| 291 | I | - | 80 | 3000 | S/W | - | 40972 | 37254 | ■ | 3116975 |
| 279 | I | - | 80 | 4000 | S/W | - | 39105 | 35572 | ■ | 3117356 |
| 279 | I | - | 80 | 3000 | S/W | - | 37248 | 34137 | ■ | 3117358 |
| Power LED - dimmable DALI 220-240 V 50/60 Hz | | | | | | | | | | |
| 291 | I | - | 80 | 4000 | S/W | - | 43015 | 38812 | ■ | 3116974 |
| 291 | I | - | 80 | 3000 | S/W | - | 40972 | 37254 | ■ | 3116977 |
| 279 | I | - | 80 | 4000 | S/W | - | 39105 | 35572 | ■ | 3117357 |
| 279 | I | - | 80 | 3000 | S/W | - | 37248 | 34137 | ■ | 3117359 |
| 250 | I | - | 80 | 4000 | S/W | - | 35194 | 32336 | ■ | 3117369 |
| 250 | I | - | 80 | 3000 | S/W | - | 33523 | 31071 | ■ | 3117371 |

5000K versions are available on web

GUELL 3 A/W

IP66 - IK07 - 650 °C

| LUMINAIRE WATTAGE (W) | CLASS | ENEC | CRI | KELVIN | OPTIC | BEAM ANGLE | LIGHTSOURCE LUMEN OUTPUT (lm) | LUMINAIRE LUMEN OUTPUT (lm) | COLOUR / FINISH | PART NUMBER |
|---|-------|------|-----|--------|-------|------------|-------------------------------|-----------------------------|-----------------|----------------|
| Power LED 220-240 V 50/60 Hz | | | | | | | | | | |
| 291 | I | - | 80 | 4000 | A40/W | - | 43015 | 36328 | ■ | 3116963 |
| 291 | I | - | 80 | 3000 | A40/W | - | 40972 | 34875 | ■ | 3116966 |
| 279 | I | - | 80 | 4000 | A40/W | - | 39105 | 34265 | ■ | 3117350 |
| 279 | I | - | 80 | 3000 | A40/W | - | 37248 | 32894 | ■ | 3117352 |
| Power LED - dimmable DALI 220-240 V 50/60 Hz | | | | | | | | | | |
| 291 | I | - | 80 | 4000 | A40/W | - | 43015 | 36328 | ■ | 3116965 |
| 291 | I | - | 80 | 3000 | A40/W | - | 40972 | 34875 | ■ | 3116968 |
| 279 | I | - | 80 | 4000 | A40/W | - | 39105 | 34265 | ■ | 3117351 |
| 279 | I | - | 80 | 3000 | A40/W | - | 37248 | 32894 | ■ | 3117353 |
| 250 | I | - | 80 | 4000 | A40/W | - | 35194 | 32534 | ■ | 3117363 |
| 250 | I | - | 80 | 3000 | A40/W | - | 33523 | 31261 | ■ | 3117365 |

5000K versions are available on web

GUELL 3 A50/W

IP66 - IK07

| LUMINAIRE WATTAGE (W) | CLASS | ENEC | CRI | KELVIN | OPTIC | BEAM ANGLE | LIGHTSOURCE LUMEN OUTPUT (lm) | LUMINAIRE LUMEN OUTPUT (lm) | COLOUR / FINISH | PART NUMBER |
|---|-------|------|-----|--------|-------|------------|-------------------------------|-----------------------------|-----------------|----------------|
| Power LED 220-240 V 50/60 Hz | | | | | | | | | | |
| 305 | I | ✓ | 80 | 4000 | A50/W | - | 48341 | 35814 | ■ | 306114 |
| 305 | I | ✓ | 80 | 3000 | A50/W | - | 43200 | 34346 | ■ | 3109685 |
| 231 | I | - | 80 | 4000 | A50/W | - | 36256 | 27496 | ■ | 306116 |
| 231 | I | - | 80 | 3000 | A50/W | - | 28800 | 26145 | ■ | 3100328 |
| Power LED - dimmable DALI 220-240 V 50/60 Hz | | | | | | | | | | |
| 305 | I | - | 80 | 4000 | A50/W | - | 48341 | 35814 | ■ | 306120 |
| 305 | I | ✓ | 80 | 3000 | A50/W | - | 43200 | 34346 | ■ | 3103871 |
| 231 | I | - | 80 | 4000 | A50/W | - | 36256 | 27496 | ■ | 306122 |
| 231 | I | - | 80 | 3000 | A50/W | - | 28800 | 26145 | ■ | 3114365 |

5000K versions are available on web

Optional accessories

| DESCRIPTION | COLOR | PART NUMBER |
|---|-------|-----------------|
| GUELL 3 | | |
| Protective grid | | 14452702 |
| Wall mount support 1000 mm | ■ | 14453994 |
| Single pole top support GUELL 3 for poles Ø 60-76 mm/Ø 2.36"-2.99" | ■ | 14453794 |
| Double pole top support GUELL 3 for poles Ø 60-76 mm/Ø 2.36"-2.99" | ■ | 14453894 |
| GUELL 3 strengthening bracket. Suitable for one floodlight single point fixing M10 screw in centre of the bracket | ■ | 14461104 |
| GUELL 3 S/W | | |
| Louvre GUELL 3 Symmetrical | | 14454220 |
| GUELL 3 A/W | | |
| Louvre GUELL 3 Asymmetrical A40/W | | 14454520 |
| Louvre A40/W | ■ | 14452894 |
| Louvre GUELL 3-4 A50/W | ■ | 3102585 |
| GUELL 3 A/W - S/W | | |
| Frosted glass GUELL 3 | ■ | 14452994 |

