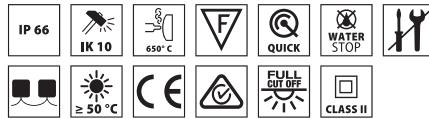


KHA TECH

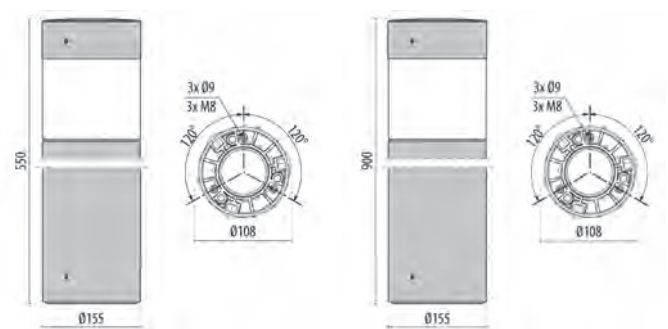
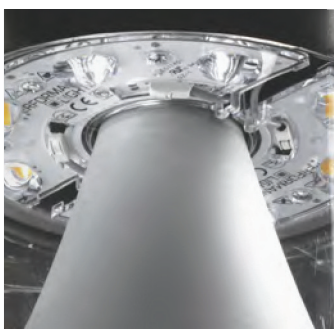


Scan the QR-code for the latest information

- AN-96 / Anthracite gray / Textured
- BK-81 / Black / Textured
- INOX / Stainless steel / Matt

Series of bollards, comprising:

- Electropolished AISI 316 stainless steel or powder coat finish aluminium body and top-cap depending on versions
- UV stabilised transparent polycarbonate diffuser
- UV rays stabilised high-transmittance polycarbonate optics. The optical unit compartment features superior passive cooling heat dissipation and maximised impact resistance (IK 10 rated) grating specific light distribution
- Aluminium heat sink
- Anti-ageing custom moulded silicone sealing gasket(s)
- Technopolymer electrical gearbox
- Integral surge protection device (SPD) against mains overvoltages up to 10 kV (CM/DM)
- IP68 technopolymer box (WATER-STOP), connected with factory-sealed H07RN-F cable to the luminaire, prepared for loop-through installation suitable for Ø 7 - 13.5 mm cables connection
- Stainless steel locking hardware
- Die-cast aluminium floor mount base polyester powder coat finish prior chemical surface conversion
- AISI 304 stainless steel sheet metal sturdy bases for floor mounting are available as accessories. For purpose illumination: promoting safe navigation through campuses, car parks and public spaces
- Concrete installation fixing rods are available as accessories. Compatible with standard die-cast aluminium and optional stainless steel heavy use (HU) baseplates
- Photometric data measure according to UNI EN 13032-4 and IES LM-79-08
- Design by SILVIA PAOLA PENNACCHIO



KHA TECH
5

KHA TECH
9

KHA TECH 5 C/EW

IP66 - IK10 - 650 °C

LUMINAIRE WATTAGE (W)	CLASS	ENEC	CRI	KELVIN	OPTIC	BEAM ANGLE	LIGHTSOURCE LUMEN OUTPUT (lm)	LUMINAIRE LUMEN OUTPUT (lm)	COLOUR / FINISH	PART NUMBER	PRONTO
Power LED 220-240 V 50/60 Hz											
15	II	-	80	4000	C/EW	-	2172	1587	■	3114016	-
15	II	-	80	3000	C/EW	-	2100	1508	■	3114011	-
15	II	-	80	4000	C/EW	-	2172	1587	■	3114014	-
15	II	-	80	3000	C/EW	-	2100	1508	■	3114009	-
15	II	-	80	4000	C/EW	-	2172	1587	■	3114018	-
15	II	-	80	3000	C/EW	-	2100	1508	■	3114013	-



KHA TECH 9 C/EW

IP66 - IK10 - 650 °C

LUMINAIRE WATTAGE (W)	CLASS	ENEC	CRI	KELVIN	OPTIC	BEAM ANGLE	LIGHTSOURCE LUMEN OUTPUT (lm)	LUMINAIRE LUMEN OUTPUT (lm)	COLOUR / FINISH	PART NUMBER	PRONTO
Power LED 220-240 V 50/60 Hz											
15	II	-	80	4000	C/EW	-	2172	1587	■	3114006	-
15	II	-	80	3000	C/EW	-	2100	1508	■	3114001	-
15	II	-	80	4000	C/EW	-	2172	1587	■	3114004	-
15	II	-	80	3000	C/EW	-	2100	1508	■	3113999	-
15	II	-	80	4000	C/EW	-	2172	1587	■	3114008	-
15	II	-	80	3000	C/EW	-	2100	1508	■	3114003	-



OPTIONAL ACCESSORIES

DESCRIPTION	COLOR	PART NUMBER	PRONTO
KHA TECH			
AISI 316 stainless steel floor installation base.		3114402	-
AISI 316 stainless steel floor installation base.		3114401	-
Concrete mounting adaptor with stainless steel plate and galvanised steel rods		14049320	-



3114402



3114401



14049320