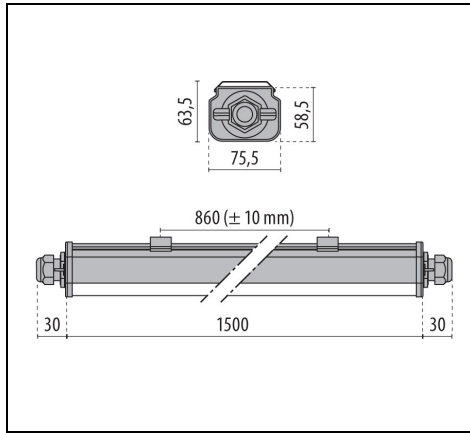


NORMA+ 150 CL

Part number 305993



Description

Weatherproof LED luminaire, comprising:

- UV stabilised co-extruded polycarbonate body with double finish; satin-finish for the optical compartment and matte finish for the auxiliary electrical compartment
- Technolpolymer end caps
- Anti-ageing custom moulded silicone sealing gasket(s)
- Complete with through wiring for power supply to a continuous row
- Built-in driver
- Aluminium heat sink
- Stainless steel springs for quick installation
- Photometric data measure according to UNI EN 13032-4 and IES LM-79-08

To maintain the regular updating of our products, PERFORMANCE iN LIGHTING reserves the right to make changes without prior notice. For the most up to date information we always recommend you read the latest version published on the website www.performanceinlighting.com. Delivered luminaire lumen outputs and power consumptions, including losses, are subject to a tolerance of +/- 7%, and unless otherwise stated the values apply to an ambient temperature of 25°C. Terms of warranty are available at www.performanceinlighting.com/qr/qr/company/terms-and-conditions

Product data

| | | | |
|-------------|----------|-------------|----------|
| ETIM Group: | EG000027 | ETIM Class: | EC002892 |
|-------------|----------|-------------|----------|

General information

| | | | |
|--------------------------------|----------------------------------|------------------------------|-------|
| Lampholder: | LED | Light source: | LED |
| Lightsource lumen output [lm]: | 5285 | Luminaire lumen output [lm]: | 4355 |
| Luminaire wattage [W]: | 35 W | Luminous efficacy [lm/W]: | 124 |
| CRI: | 80 | Colour temperature [K]: | 4000 |
| Colour / Finishing: | GR-RAL7035 / Grey RAL7035 / Matt | IP degree of protection: | IP65 |
| IK-J-xxIP: | IK09 15J xx7 | Protection class: | I |
| Optic: | Symmetric Extra-Wide | Net weight [kg]: | 2.395 |
| Overall length [mm]: | 1560 | Overall width [mm]: | 76 |
| Overall height [mm]: | 64 | | |

Mechanical features

| | | | |
|--------------------|-------------|----------------------|---------|
| Shape: | RECTANGULAR | Housing material: | Plastic |
| Diffuser material: | PLASTIC | Glow wire test [°C]: | 750 °C |

Electrical features

| | | | |
|---------------------------|---------|---------------------------|----------|
| Voltage type: | AC/DC | Input voltage [V AC]: | 220/240 |
| Input frequency [Hz]: | 0/50/60 | Power factor / COS Φ: | 0.9 |
| Input voltage [V DC]: | 176/280 | Inrush current [A/μs]: | 22 / 176 |
| C10 1.5 mm ² : | 21 | C16 2.5 mm ² : | 36 |
| B10 1.5 mm ² : | 13 | B16 2.5 mm ² : | 22 |

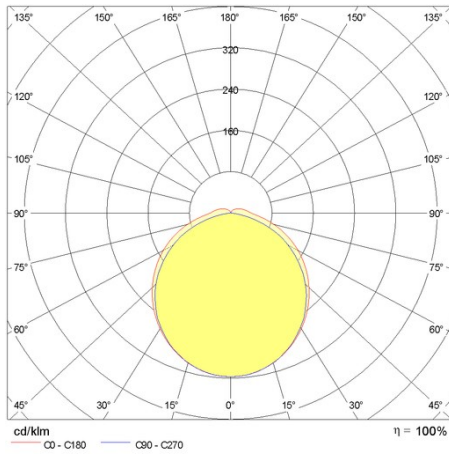
Installation

| | | | |
|--------------------------------|--------|--------------------------------|---------------|
| Application area: | Indoor | Mounting type: | Weatherproofs |
| Min. ambient temperature [°C]: | -25 | Max. ambient temperature [°C]: | 45 |

Light features

| | | | |
|---------------------------------|--------|--------------------|---------------|
| MacAdam: | 5 | Lumen maintenance: | L80B10@50000h |
| Distribution of light emission: | Direct | UGR max.: | 20.2 |

Photometric data



To maintain the regular updating of our products, PERFORMANCE iN LIGHTING reserves the right to make changes without prior notice. For the most up to date information we always recommend you read the latest version published on the website www.performanceinlighting.com. Delivered luminaire lumen outputs and power consumptions, including losses, are subject to a tolerance of +/- 7%, and unless otherwise stated the values apply to an ambient temperature of 25°C. Terms of warranty are available at www.performanceinlighting.com/qr/qr/company/terms-and-conditions